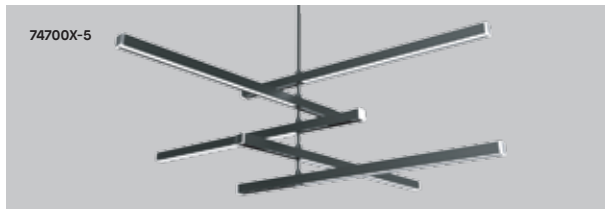
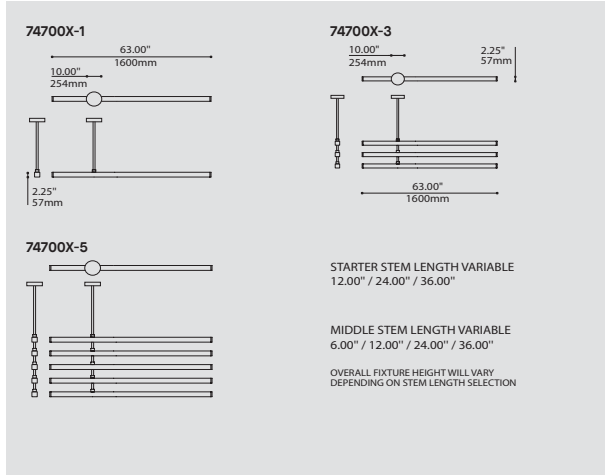


# SWITCH 74700X

PROJECT PROJÉT
SPEC TYPE
NOTES



## DETAIL



ORDERING SPECIFICATION	SPÉCIFICATION DE COMMANDE	CODE
<b>MODEL</b> MODÈLE		
74700D	SWITCH – DIRECT	
74700I	SWITCH – INDIRECT	
<b>ARM QUANTITY</b> QUANTITÉ DE BRAS		
1	1 ARM	
2	2 ARMS	
3	3 ARMS	
4	4 ARMS	
5	5 ARMS	
<b>LIGHT SOURCE</b> SOURCE LUMINEUSE		<b>LED</b>
<b>LED</b>	REGULAR OUTPUT	
<b>COLOR TEMPERATURE</b> TEMPÉRATURE DE COULEUR		
27*	2700K	
30	3000K	
35	3500K	
40	4000K	
* LONGER LEAD TIME MAY APPLY, PLEASE CONTACT YOUR EUREKA REPRESENTATIVE		
<b>COLOR RENDERING INDEX (CRI)</b> INDICE DE RENDU DE COULEUR (IRC)		
80	80+ CRI	
90*	90+ CRI	
* LONGER LEAD TIME MAY APPLY, PLEASE CONTACT YOUR EUREKA REPRESENTATIVE		
<b>VOLTAGE</b> VOLTAGE		
120V	120 VOLT	
277V	277 VOLT	
<b>CONTROL OPTION</b> OPTION DE CONTRÔLE		
DV	0-10V DIMMING (120V-277V)	
DP	PHASE DIMMING (120V ONLY)	
NLTAIR2*	NLIGHT AIR CONTROL GEN 2	
NLIGHT*	NLIGHT WIRED CONTROL	
*NLIGHT INTEGRATION REQUIRES A REMOTE POWER PACK (39NLAA FOR NLTAIR2 OR 39NLWA FOR NLIGHT). REFER TO NLIGHT GUIDE AND INSTALLATION SHEET FOR ALL REQUIREMENTS.		
<b>STEM</b> TIGE		<b>S7</b>
S7	27/32", (21MM) STEM, NOT FIELD ADJUSTABLE	
*COLOR OF STEM AND CANOPY IS THE SAME AS THE LUMINAIRE FINISH		
<b>STARTER STEM LENGTH</b> LONGUEUR DE TIGE DU DÉBUT		
12	12" STEM	
24	24" STEM	
36	36" STEM	
FOR OVERALL LENGTH, PLEASE CONTACT YOUR EUREKA REPRESENTATIVE		
<b>MIDDLE STEM LENGTH</b> LONGUEUR DE TIGE DU MILIEU <sup>(A)</sup>		
6	6" STEM	
12	12" STEM	
24	24" STEM	
36	36" STEM	
<sup>(A)</sup> ALL MIDDLE STEMS WILL BE THE SAME LENGTH		
<b>FINISH</b> FINI		
BLK	BLACK	
WH	WHITE	
<b>END CAP FINISH</b> FINI EMBOUT		
CHR	CHROME	
BLK	BLACK	
WH	WHITE	
<b>ACCESSORY</b> ACCESSOIRE		
ALL ACCESSORIES ARE AVAILABLE FOR ADVANCE SHIPPING		
39NLAA*	NLIGHT AIR GEN 2 REMOTE POWER PACK	
39NLWA*	NLIGHT WIRED REMOTE POWER PACK	
* FOR CHICAGO PLENUM INSTALLATION, PLEASE CONTACT YOUR EUREKA REPRESENTATIVE .		

## PRODUCT CHARACTERISTICS CARACTÉRISTIQUES DU PRODUIT

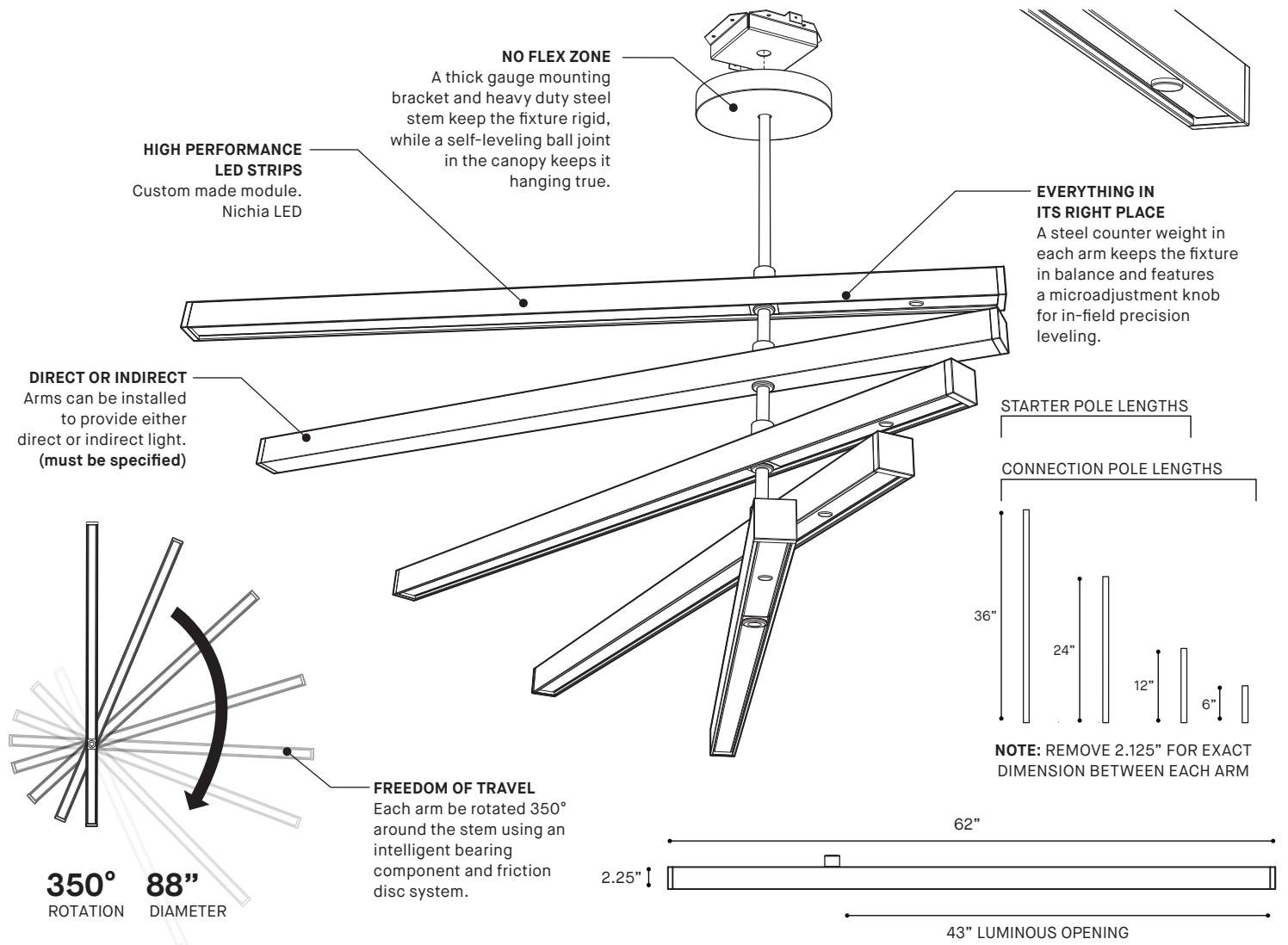


- DESIGN:** Functionally luxurious, this expandable luminaire system marries a minimal aesthetic with elegant technology to provide a highly versatile and unique lighting experience.
- INSTALLATION:** Arm quantity and stem lengths can be specified to create fixtures as big as required, with the individual arms installed to provide direct or indirect light. Each arm has its own precision balance control, and an intelligent bearing component that facilitates 350° arm rotation.
- LIGHT SOURCE:** Each arm conceals a custom designed LED module.
- FRAME:** The precision aluminum body, heavy gauge mounting bracket and thick-walled steel stem is powder coated white or black.
- DIFFUSER:** Recessed back from the opening aperture, the extruded high performance lens seems to float in the housing. Using custom blended PMMA and an added holographic diffuser film, Switch offers efficient yet fully diffused surface illumination.
- CERTIFIED:** c-CSA-us



## SPECIFICATION

# SWITCH 74700X

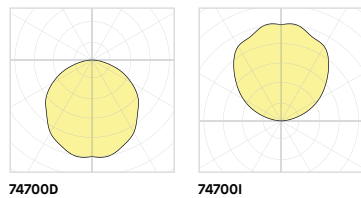


PRODUCT SPECIFICATION	74700DI-1	74700DI-2	74700DI-3	74700DI-4	74700DI-5
<b>PERFORMANCE</b>					
SYSTEM WATTAGE	17.2 W	32.5 W	48.7 W	65 W	81.2 W
DELIVERED LUMENS (4000K)	1746 LM	3493 LM	5239 LM	6986 LM	8732 LM
EFFICACY	101 LM/W	108 LM/W	108 LM/W	108 LM/W	108 LM/W
<b>OTHER INFORMATIONS</b>					
LUMINAIRE'S WEIGHT	25.0 LBS / 11 KG	37.5 LBS / 17 KG	50.0 LBS / 23 KG	62.5 LBS / 28 KG	75.0 LBS / 34 KG
L70 (LUMEN MAINTENANCE)	> 60 000 HRS	> 60 000 HRS	> 60 000 HRS	> 60 000 HRS	> 60 000 HRS

## EFFICACY MULTIPLIERS

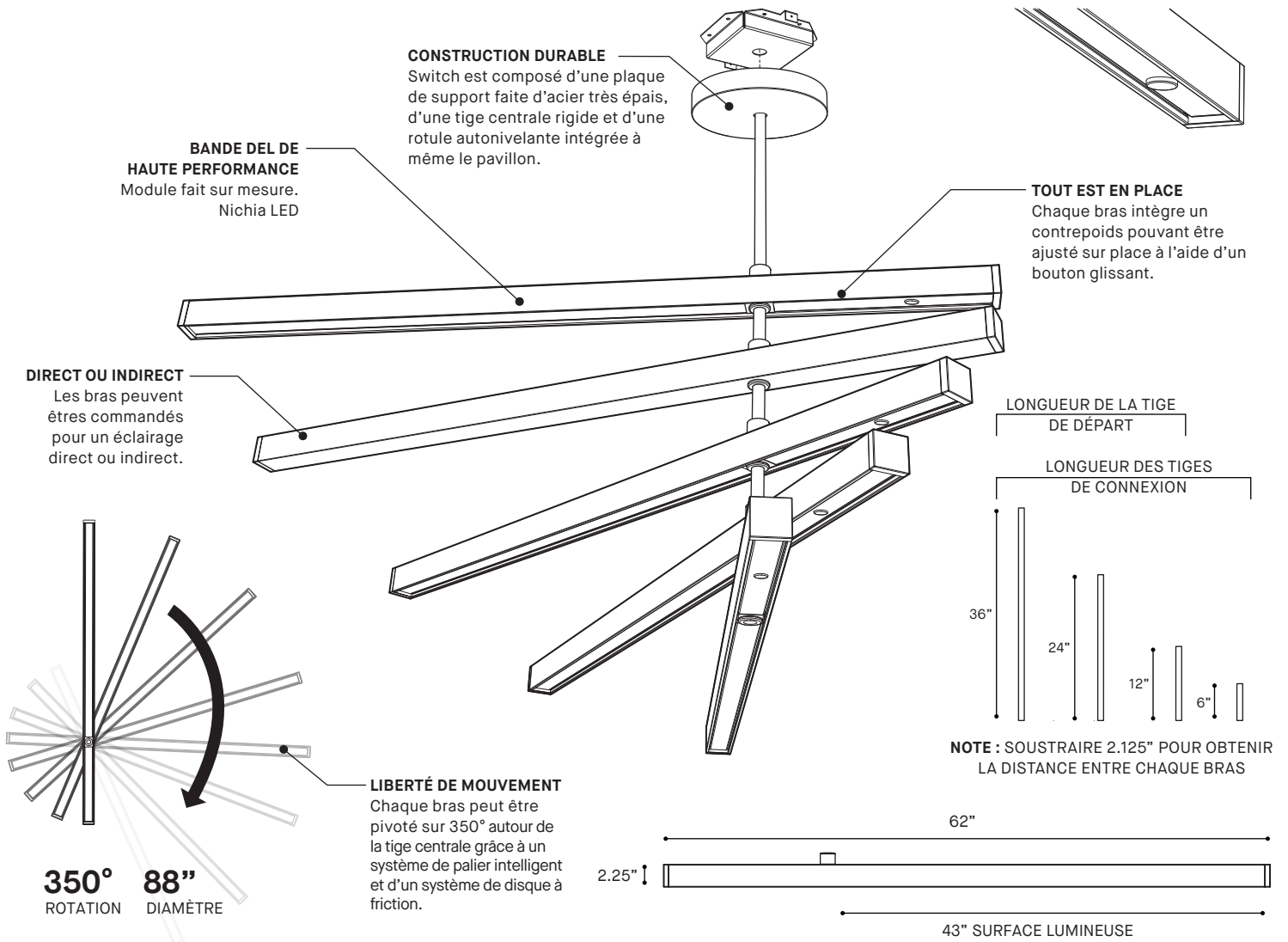
CRI	CCT	FACTOR
80+	4000K	1.00
80+	3500K	0.98
80+	3000K	0.94
80+	2700K	0.91
90+	4000K	0.88
90+	3500K	0.85
90+	3000K	0.81
90+	2700K	0.77

## LIGHT DISTRIBUTION



Visit our website for warranty terms and conditions.

# SWITCH 74700X

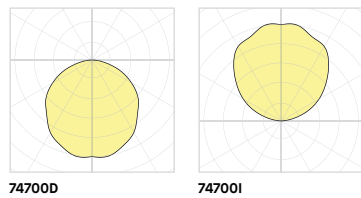


SPECIFICATION PRODUIT	74700DI-1	74700DI-2	74700DI-3	74700DI-4	74700DI-5
<b>PERFORMANCE</b>					
PUISSANCE TOTALE	17.2 W	32.5 W	48.7 W	65 W	81.2 W
LUMENS RÉELS (4000K)	1746 LM	3493 LM	5239 LM	6986 LM	8732 LM
EFFICACITÉ	101 LM/W	108 LM/W	108 LM/W	108 LM/W	108 LM/W
<b>AUTRES INFORMATIONS</b>					
POIDS DU LUMINAIRE	25.0 LBS / 11 KG	37.5 LBS / 17 KG	50.0 LBS / 23 KG	62.5 LBS / 28 KG	75.0 LBS / 34 KG
L70 (MAINTENANCE DE LA LUMIÈRE)	> 60 000 H	> 60 000 H	> 60 000 H	> 60 000 H	> 60 000 H

## FACTEUR D'EFFICACITÉ

IRC	CCT	FACTEUR
80+	4000K	1.00
80+	3500K	0.98
80+	3000K	0.94
80+	2700K	0.91
90+	4000K	0.88
90+	3500K	0.85
90+	3000K	0.81
90+	2700K	0.77

## DISTRIBUTION LUMINEUSE



Visitez notre site Web pour les termes et conditions.



## DONNÉES TECHNIQUES