

RIM 4704 / 4704B

| |
|----------------|
| PROJECT PROJET |
| SPEC TYPE |
| NOTES |

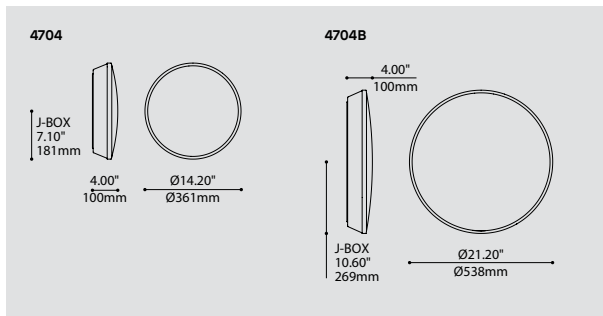


FAMILY FAMILLE



4404

4704 (CEILING SURFACE)

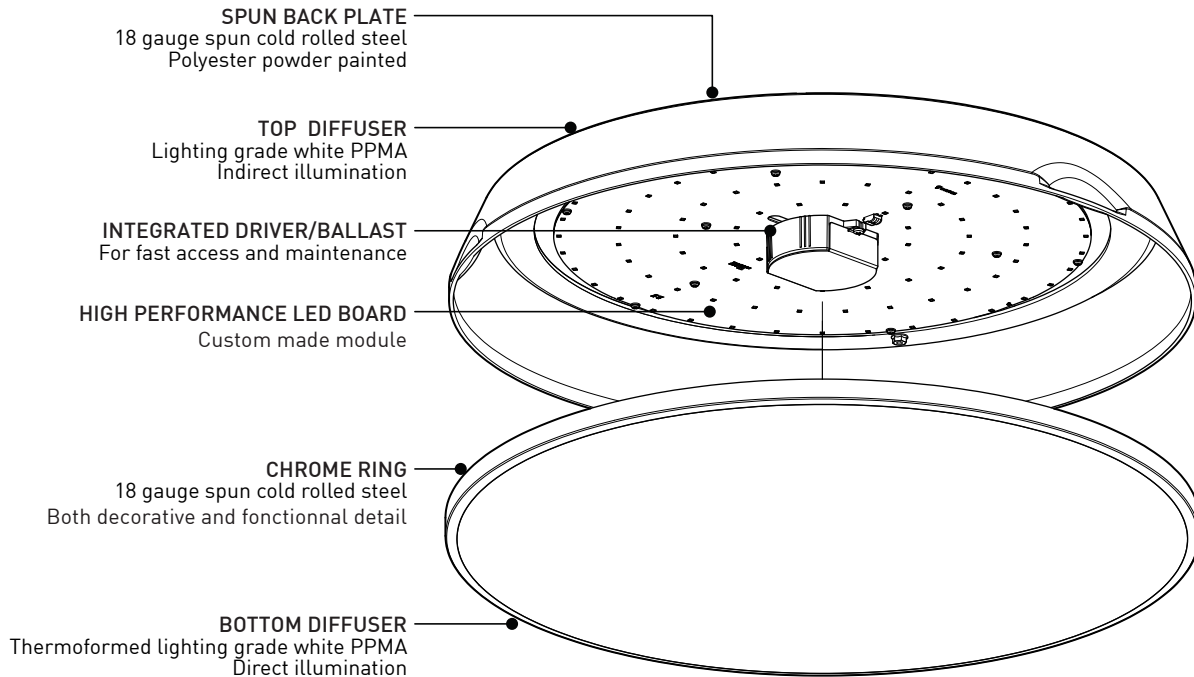


| ORDERING SPECIFICATION | SPÉCIFICATION DE COMMANDE | CODE |
|--|------------------------------------|------------|
| MODEL MODÈLE | | |
| 4704 | RIM 14" | |
| 4704B | RIM 21" | |
| LIGHT SOURCE SOURCE LUMINEUSE | | |
| 4704 | | |
| LED.10 | 10W, LED | |
| 4704B | | |
| LED.24 | 24W, LED | |
| COLOR TEMPERATURE TEMPÉRATURE DE COULEUR (A) | | |
| 27* | 2700K | |
| 30 | 3000K | |
| 35 | 3500K | |
| 40 | 4000K | |
| * LONGER LEAD TIME MAY APPLY, PLEASE CONTACT YOUR EUREKA REPRESENTATIVE | | |
| COLOR RENDERING INDEX (CRI) INDICE DE RENDU DE COULEUR (IRC) (B) | | |
| 80 | 80+ CRI | |
| 90* | 90+ CRI | |
| * LONGER LEAD TIME MAY APPLY, PLEASE CONTACT YOUR EUREKA REPRESENTATIVE | | |
| VOLTAGE VOLTAGE | | |
| 120V | 120 VOLT | |
| 277V | 277 VOLT | |
| DIMMING OPTION OPTION DE GRADATION (C) | | |
| DV | 0-10V DIMMING (120V-277V) | |
| DP | PHASE DIMMING (120V ONLY) | |
| LED DIMMING DRIVER IS STANDARD IN THIS PRODUCT, PLEASE SPECIFY YOUR DIMMING TYPE | | |
| EMERGENCY BATTERY BATTERIE D'URGENCE | | |
| EM* | EMERGENCY BATTERY INSIDE LUMINAIRE | |
| * ONLY AVAILABLE WITH LED NON-DIMMING AND DIMMING DP ONLY | | |
| STRUCTURE FINISH FINI STRUCTURE | | WH |
| WH | WHITE | |
| DIFFUSER FINISH FINI DIFFUSEUR | | WH |
| WH | WHITE | |
| RING FINISH FINI ANNEAU | | CHR |
| CHR | CHROME | |

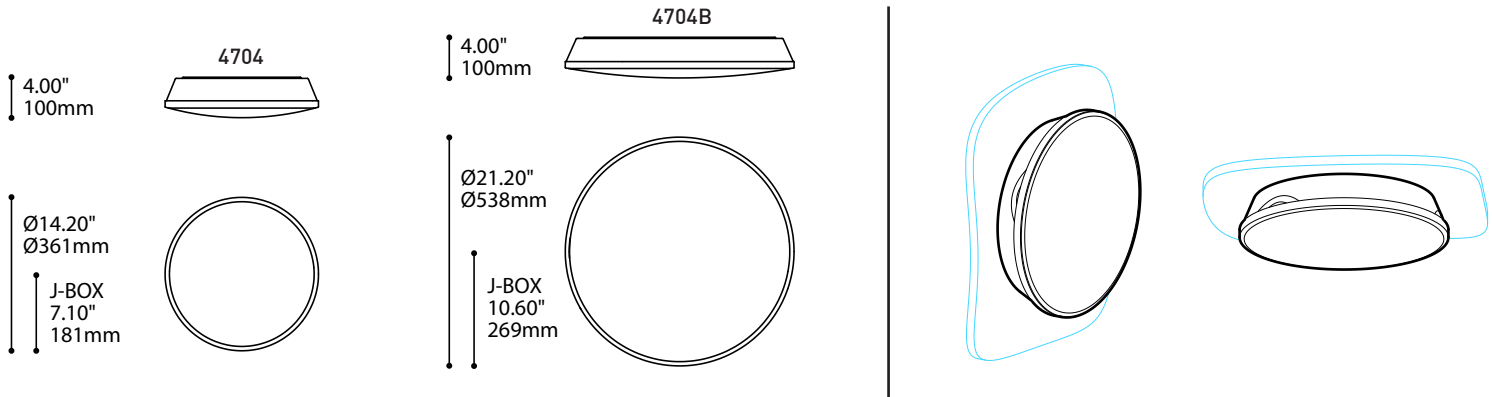
PRODUCT CHARACTERISTICS CARACTÉRISTIQUES DU PRODUIT

ADA BIM DIM EM IES LED

- DESIGN:** Stylish all-rounder highlighted by a sparkling metal band. Rim offers smooth direct/indirect illumination.
- LIGHT SOURCE:** Dimmable bespoke LED engines. EM option is available.
- STRUCTURE:** Spun steel back plate with highly reflective white polyester powder coat finish and chrome plated trim ring.
- DIFFUSER:** Thermoformed, white translucent PMMA with flex-fit attachment for easy access.
- CERTIFIED:** c-CSA-us, c-UL-us
- CONCEPTION:** Un passe-partout stylisé serti d'une bande métallique étincelante. Rim offre un éclairage diffus direct/indirect.
- SOURCE LUMINEUSE:** Module DEL à gradation conçu sur mesure. Version d'urgence offerte en option.
- STRUCTURE:** Plaque arrière d'acier repoussé avec peinture électrostatique à base de polyester et anneau décoratif plaqué chrome.
- DIFFUSEUR:** Acrylique translucide blanc thermoformé avec installation facile par encliquetage.
- CERTIFIÉ:** c-CSA-us, c-UL-us



RECOGNIZED WINNER



SPECIFICATIONS

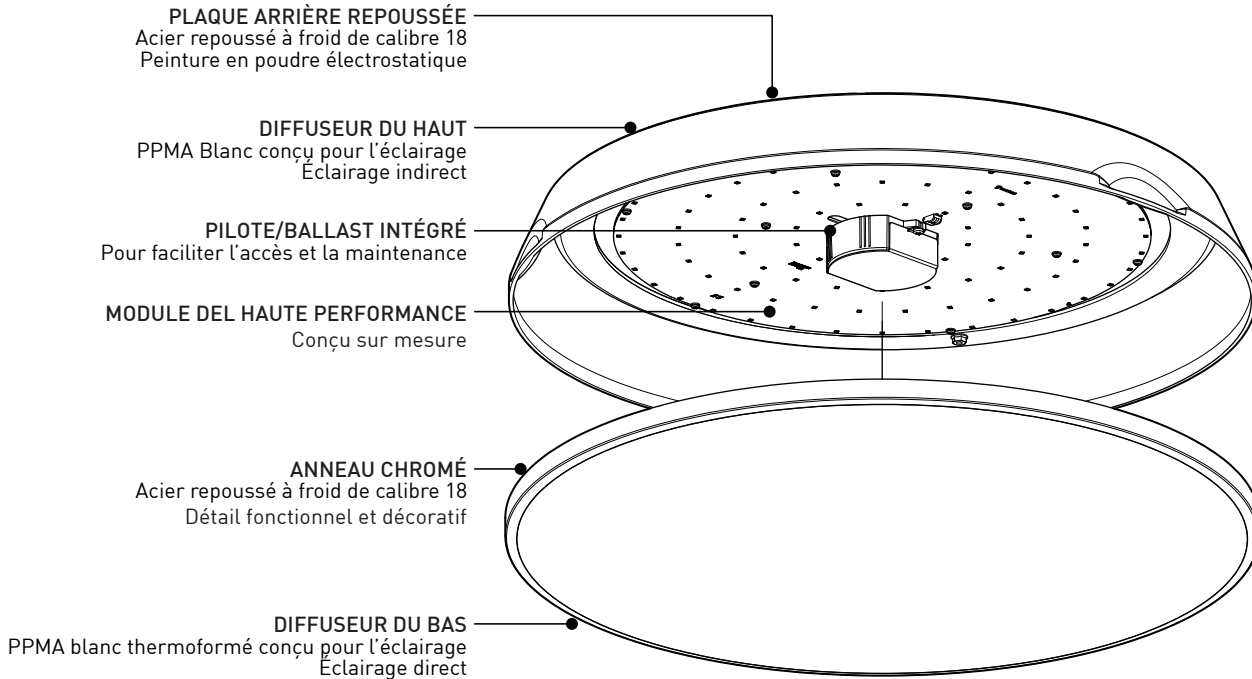
| | LED 4704 | LED 4704B |
|--------------------|-------------------------------------|------------------------------------|
| LIGHT SOURCE | 44 x NICHIA - total ±10W | 96 x NICHIA - total ±25W |
| MODULE | UL recognized - made in USA | UL recognized - made in USA |
| LUMENS (DELIVERED) | 1055 lm (4000K) | 2547 lm (4000K) |
| CRI | 80+ CRI or 90+ CRI | 80+ CRI or 90+ CRI |
| CCT | 2700K, 3000K, 3500K or 4000K 3-step | MacAdam ellipse binning |
| STRUCTURE | Die-spun steel structure | Die-spun steel structure |
| LIGHT DISTRIBUTION | Direct-Indirect | Direct-Indirect |
| DIFFUSER | White PPMA | White PPMA |
| VOLTAGE | 120 or 120-277V | 120 or 120-277V |
| BALLAST | N/A | N/A |
| DIMMING DV | 350 mA 0-10V Dim (120-277V) | 700 mA 0-10V Dim (120-277V) |
| DIMMING DP | 350 mA Phase Dim (120V) | 700 mA Phase Dim (120V) |
| EMERGENCY | Integrated Emergency Battery | Integrated Emergency Battery |
| LM-79 & ROHS | On request & Compliant | On request & Compliant |
| WARRANTY | 5 years (on electronic components) | 5 years (on electronic components) |
| CERTIFICATION | CSA recognized | CSA recognized |



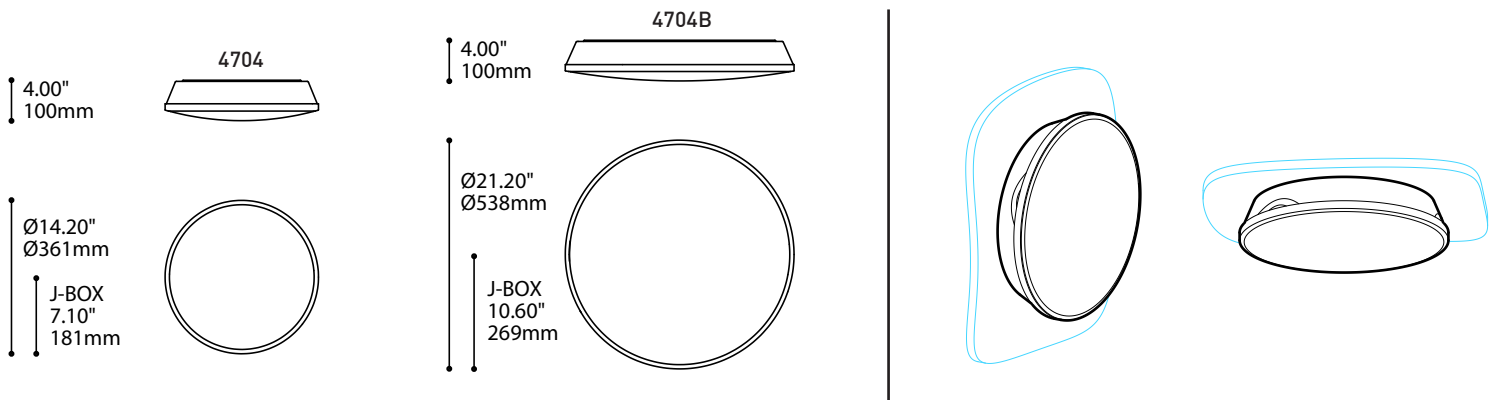
225 de Liège Ouest, Suite #200
Montréal (QC), Canada H2P 1H4
Tel : 514.385.3515 Fax : 514.385.4169
www.eurekalighting.com



4704
4704B



RECOGNIZED WINNER



SPÉCIFICATIONS

| | DEL 4704 | DEL 4704B |
|------------------------|---|----------------------------------|
| SOURCE LUMINEUSE | 44 x NICHIA - total ±10W | 96 x NICHIA - total ±25W |
| MODULE | Reconnu par UL - conçu aux USA | Reconnu par UL - conçu aux USA |
| LUMENS (RÉELS) | 1055lm (4000K) | 2547 lm (4000K) |
| IRC | 80+ CRI or 90+ CRI | 80+ CRI or 90+ CRI |
| CCT | 2700K, 3000K, 3500K or 4000K 3 ellipses MacAdam | |
| STRUCTURE | Acier repoussé/moulé | Acier repoussé/moulé |
| DISTRIBUTION LUMINEUSE | Directe-Indirecte | Directe-Indirecte |
| DIFFUSEUR | PPMA Blanc | PPMA Blanc |
| VOLTAGE | 120 ou 120-277V | 120 ou 120-277V |
| BALLAST | N/A | N/A |
| GRADATION DV | 350 mA 0-10V (120-277V) | 700 mA 0-10V (120-277V) |
| GRADATION DP | 350 mA Phase (120V) | 700 mA Phase (120V) |
| ÉQUIPEMENT D'URGENCE | Pile d'urgence intégrée | Pile d'urgence intégrée |
| LM-79 & ROHS | Sur demande & conforme | Sur demande & Conforme |
| GARANTIE | 5 ans (composantes électronique) | 5 ans (composantes électronique) |
| CERTIFICATION | Reconnu par CSA | Reconnu par CSA |