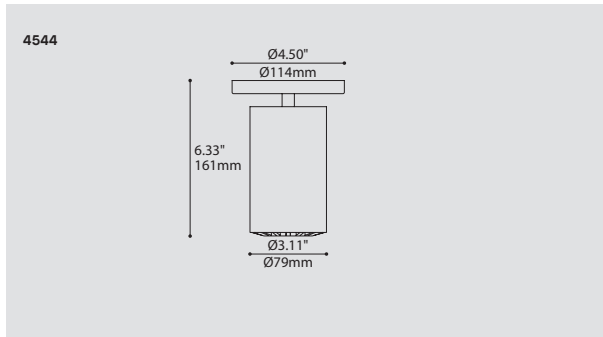


# POINT 4544

PROJECT PROJÉT
SPEC TYPE
NOTES



## FAMILY FAMILLE

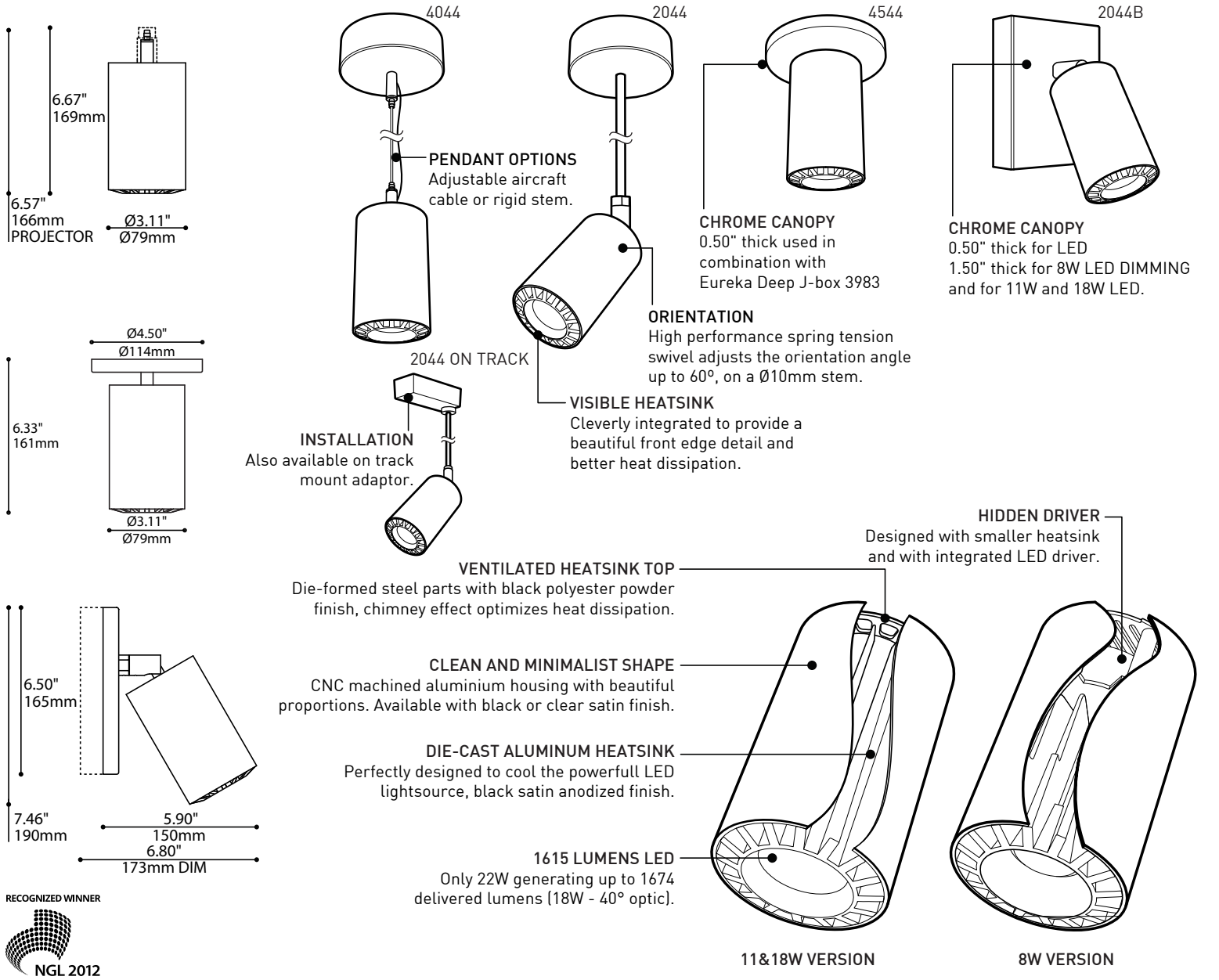


ORDERING SPECIFICATION	SPÉCIFICATION DE COMMANDE	CODE
MODEL MODÈLE		4544
4544	POINT	
LIGHT SOURCE SOURCE LUMINEUSE		
(WATTAGE, LAMP TYPE, OTHER INFO)		
LED.8	8W, LED	
LED.11	11W, LED	
LED.18	18W, LED	
COLOR TEMPERATURE TEMPÉRATURE DE COULEUR		
27	2700K	
30	3000K	
35	3500K	
40*	4000K	
*LONGER LEAD TIME MAY APPLY. PLEASE CONTACT YOUR EUREKA REPRESENTATIVE		
COLOR RENDERING INDEX (CRI) INDICE DE RENDU DE COULEUR (IRC)		
90*	90+ CRI *MANDATORY FOR 8W	
BEAM ANGLE ANGLE DE FAISCEAU		
LED 8W		
17	17° BEAM ANGLE	
48	48° BEAM ANGLE	
LED 11W & 18W		
20	20° BEAM ANGLE	
40	40° BEAM ANGLE	
VOLTAGE VOLTAGE		
120V	120 VOLT	
277V*	277 VOLT	
*3983 ACCESSORY IS PROVIDED FOR 277V		
DIMMING OPTION OPTION DE GRADATION		
DV*	0-10V DIMMING (120-277V)	
DP*	PHASE DIMMING (120V ONLY)	
*3983 ACCESSORY IS PROVIDED FOR DIMMING OPTION		
LED DIMMING DRIVER IS STANDARD IN THESE PRODUCTS FOR LED 11W AND 18W. PLEASE SPECIFY YOUR DIMMING TYPE.		
MOUNTING MONTAGE		RC
RC	ROUND CANOPY / PAVILLON ROND 0.5" CANOPY (2401C)	
STRUCTURE FINISH FINI STRUCTURE		CHR
CHR	CHROME	
CYLINDER FINISH FINI CYLINDRE*		
BLKA	BLACK ANODIZED	
SA	SATIN ALUMINUM	
WHE	WHITE FINE TEXTURE	
*FOR 4544 ONLY		
HEATSINK FINISH FINI RADIATEUR		BLKA
BLKA	BLACK ANODIZED	
ACCESSORY ACCESSOIRE		
3983	DEEP JUNCTION BOX (PROVIDED FOR DIMMING LED AND 8W 277V AS PER ABOVE)	

## PRODUCT CHARACTERISTICS CARACTÉRISTIQUES DU PRODUIT

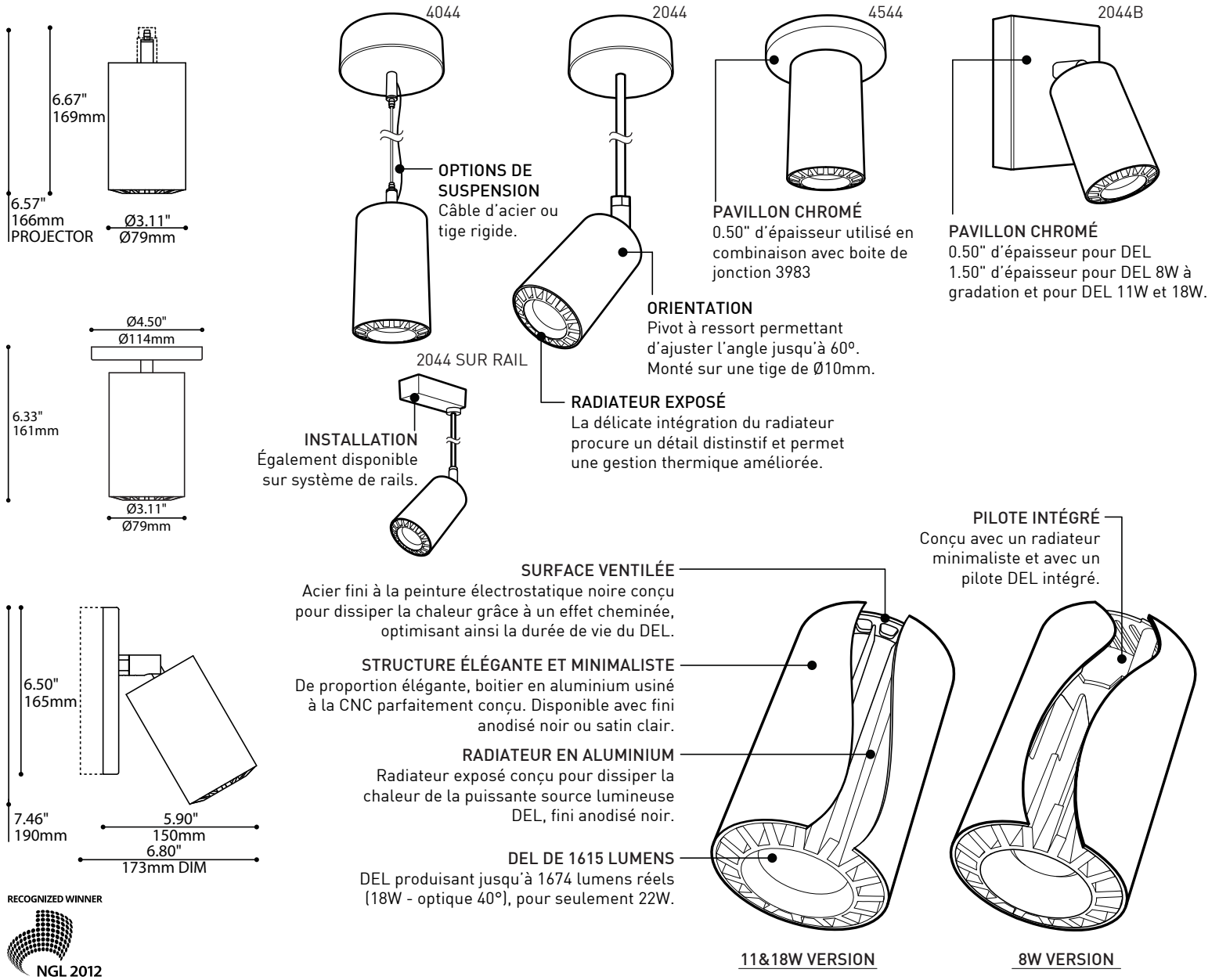


<b>DESIGN:</b>	Already popular, we just made the clean and austere Point projector more intense. At the same time, we have added the similar sized Turbine, which has exposed black fins for a cool look that really grinds out the lumens. These two projectors offer awesome thermal management design, and accommodate the new high intensity light engine which provides up to 1615 delivered lumens (18W - 40° optic).
<b>INSTALLATION:</b>	Both the Point and Turbine float on a round chrome ceiling mounted canopy and are supplied without swivel.
<b>STRUCTURE:</b>	CNC machined aluminum housing with black or clear satin anodized finish. Die-cast aluminum heat sink with black satin anodized finish and inner die-formed steel parts with black polyester powder finish.
<b>OPTIC:</b>	17° or 48° beam angle total internal reflecting (TIR) multi-lens (8W LED version). 20° or 40° beam angles total internal reflexion (TIR) for 11W and 18W LED version.
<b>CERTIFIED:</b>	c-CSA-us



## SPECIFICATIONS

	8W LED	11W LED	18W LED
LIGHT SOURCE	4 LED on MCPCB - System wattage 10W Total	1 x COB LED - System wattage 15W Total	1 x COB LED - System wattage 22W Total
DELIVERED LUMENS	964 lm	1438 lm [40° optic] or 1457 lm [20° optic]	1858 lm [40° optic] or 1882 lm [20° optic]
CRI	80 CRI (typical)		
CCT	3-step MacAdam Ellipse binning		
HOUSING	Machined aluminium tube		
HEATSINK	Black anodized aluminum		
LIGHT DISTRIBUTION	Directional (2044/2044B) or Direct (4044/4544)		
OPTICS	Total Internal Reflection (TIR) - 17° & 48°	TIR - 20° & 40°	TIR - 20° & 40°
VOLTAGE	120V or 277V	120V (DP) and 120-277V (DV)	120V (DP) and 120-277V (DV)
DRIVER	Constant Current 700mA, UL Recognized	Constant Current 350mA, UL Recognized	Constant Current 500mA, UL Recognized
DIMMING	Phase Dimming (DP) and 0-10V Dimming (DV)		
LM-79	On request	On request	On request
WARRANTY	5 years		



## SPECIFICATIONS

SOURCE LUMINEUSE  
LUMENS RÉELS

IRC

CCT

BOÎTIER

RADIATEUR

DISTRIBUTION LUMINEUSE

OPTIQUES

VOLTAGE

PILOTE

GRADATION

LM-79

GARANTIE

## DEL 8W

4 LED sur MCPCB - Puissance totale de 10W  
964lm

80 CRI (typique)

3-step MacAdam Ellipse binning

Tube d'aluminium usiné

Aluminium anodisé noir

Directionnel [2044/2044B] ou direct [4044/4544]

17° & 48° Reflection Totale Interne (TIR)

120V ou 277V

Courant Constant 700mA, Reconnu UL

DP "phase dimming" et DV "0-10V dimming"

Sur demande

5 ans

## DEL 11W

1 DEL "COB" - Puissance totale de 15W  
1438lm (optique 40°) ou 1457 lm (20°)

Faisceaux de 20° & 40° "TIR"

120V (DP) et 120-277V (DV)

Courant Constant 350mA, Reconnu UL

Sur demande

Sur demande

## DEL 18W

1 DEL "COB" - Puissance totale 22W  
1858 lm (optique 40°) ou 1882 lm (20°)

Faisceaux de 20° & 40° "TIR"

120V (DP) et 120-277V (DV)

Courant Constant 500mA, Reconnu UL

Sur demande

Sur demande