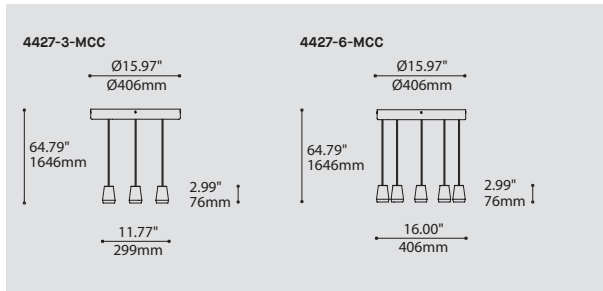




DROP 4427-MCC

| |
|----------------|
| PROJECT PROJÉT |
| SPEC TYPE |
| NOTES |



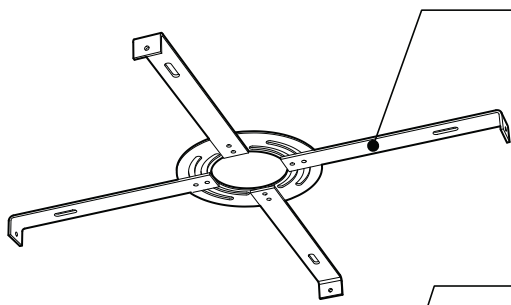
ORDERING SPECIFICATION SPÉCIFICATION DE COMMANDE

| MODEL MODÈLE | CODE |
|---|------|
| 4427-3 DROP 3 (3 X SHADES) | |
| 4427-6 DROP 6 (6 X SHADES) | |
| SHADE OPTION OPTION D'ABAT-JOUR | MCC |
| MCC ALVER | |
| LIGHT SOURCE SOURCE LUMINEUSE | |
| (WATTAGE, LAMP TYPE, LAMP FORM, BASE TYPE, OTHER INFO) | |
| INC.60  60W, INC, A19 / B10 / G30 / HAL T10, MEDIUM BASE (120V ONLY) | |
| LED.4  4W, LED | |
| COLOR TEMPERATURE TEMPÉRATURE DE COULEUR | |
| FOR LED ONLY | |
| 27 2700K | |
| 30 3000K | |
| 35 3500K | |
| 40* 4000K | |
| *LONGER LEAD TIME MAY APPLY, PLEASE CONTACT YOUR EUREKA REPRESENTATIVE | |
| COLOR RENDERING INDEX (CRI) INDICE DE RENDU DE COULEUR (IRC) | |
| FOR LED ONLY - MANDATORY | |
| 90 90+ CRI | |
| ANGLE BEAM ANGLE DE DIFFUSION | |
| FOR LED ONLY | |
| 17 17° | |
| 48 48° | |
| VOLTAGE VOLTAGE | |
| 120V 120 VOLT | |
| 277V 277 VOLT | |
| DIMMING OPTION OPTION DE GRADATION | |
| FOR LED ONLY | |
| DV 0-10V DIMMING (120-277V) | |
| DP PHASE DIMMING (120V ONLY) | |
| CABLE CABLE | C |
| C CLEAR CABLE, FIELD ADJUSTABLE | |
| CABLE LENGTH LONGUEUR DE CABLE | |
| 60 60" CABLE (STD LENGTH) | |
| ** CUSTOM CABLE LENGTH (PLEASE SPECIFY) | |
| FOR OVERALL LENGTH PLEASE CONTACT YOUR EUREKA REPRESENTATIVE. | |
| STRUCTURE FINISH FINI STRUCTURE | CHR |
| CHR CHROME | |
| DIFFUSER FINISH FINI DIFFUSEUR | |
| BLK BLACK | |
| CHR CHROME | |

PRODUCT CHARACTERISTICS CARACTÉRISTIQUES DU PRODUIT

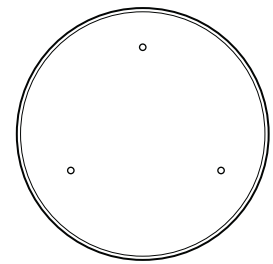
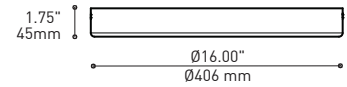


| | |
|--------------------------|--|
| DESIGN: | Drop is a beautiful chrome canopy platform designed to suspend groups of 3 or 6 selected fixtures. |
| INSTALLATION: | Mounts on standard junction boxes, and comes with support hook for easy installation. |
| LIGHT SOURCE: | LED and other light sources with dimming available. |
| STRUCTURE: | Spun steel with a chrome finish. |
| CERTIFIED: | c-CSA-us |
| CONCEPTION: | Drop est une jolie plate-forme chromée pour 3 ou 6 suspensions de luminaires sélectionnés. |
| INSTALLATION: | Des crochets de support sont fournis pour faciliter l'installation sur une boîte de jonction standard. |
| SOURCE LUMINEUSE: | DEL et autres sources lumineuses avec options de gradation offertes. |
| STRUCTURE: | Pavillon en acier repoussé et chromé. |
| CERTIFIÉ: | c-CSA-us |



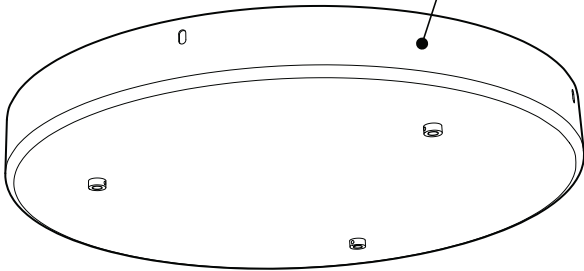
EASY INSTALLATION

- Heavy duty bracket that mounts on standard junction box
- Comes with support hooks for easy installation
- Extra mounting points to reinforce



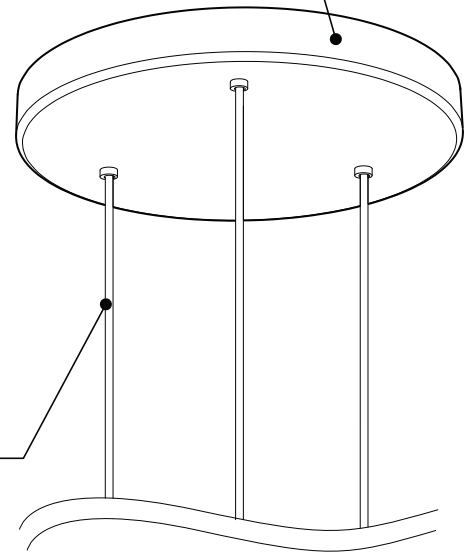
CANOPY

Spun steel with Chrome finish



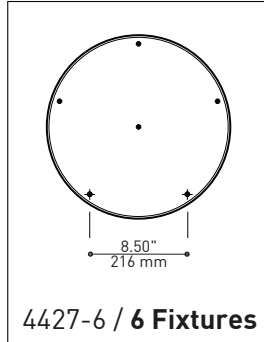
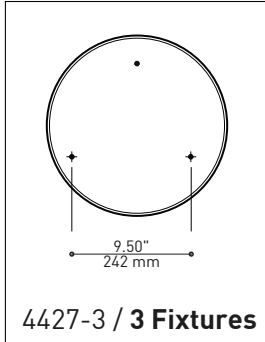
SIMPLE

Canopy houses all electrical components for quick assembly

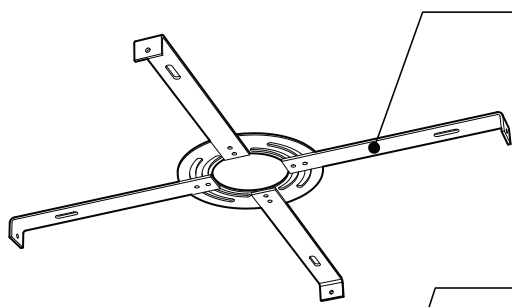


SUSPENSION
60 inch of cable

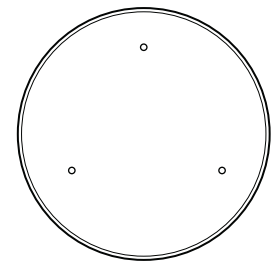
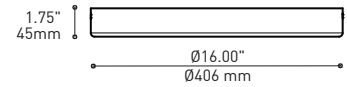
CANOPY CONFIGURATION



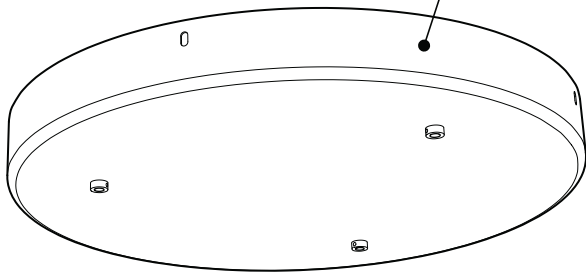
| LUMINAIRES | CODE | NB. DE LUM. | LIGHT SOURCE | | | WATT MAX. | | | | | | |
|--------------|--------------|-------------|--------------|-----|-----|-----------|-----|-----|------|------|------|------|
| | | | DEL | HAL | INC | DEL | | HAL | | INC | | |
| | | | | | | 3 | 6 | 3 | 6 | 3 | 6 | |
| VEGA | XBL | 3 | 6 | | | | 33W | 66W | | | | |
| ALVER | MCC | 3 | 6 | X | | X | 12W | 24W | | | 180W | 360W |
| ROLO PENDANT | MAD | 3 | 6 | X | X | | 12W | 24W | 150W | 300W | | |
| SPROKET | CFD | 3 | 6 | X | | | 12W | 24W | | | | |
| MEHA | UAC | 3 | 6 | X | | | 12W | 24W | | | | |
| FACET | UFC | 3 | 6 | X | | | 12W | 24W | | | | |
| SILENE | JDJ/JDJA/JMJ | 3 | 6 | X | | | 12W | 24W | | | | |
| FASIL | XB/XBA | 3 | 6 | X | | | 33W | 66W | | | | |
| DELTA | VDP/VDPA | 3 | 6 | X | | | 33W | 66W | | | | |
| SENET | XFY | 3 | | X | | | 45W | | | | | |
| DELTA | VDX/VDXA | 3 | 6 | X | | | 45W | 90W | | | | |
| SHAKER | QFI | 3 | | X | X | | 12W | | 150W | | 180W | |



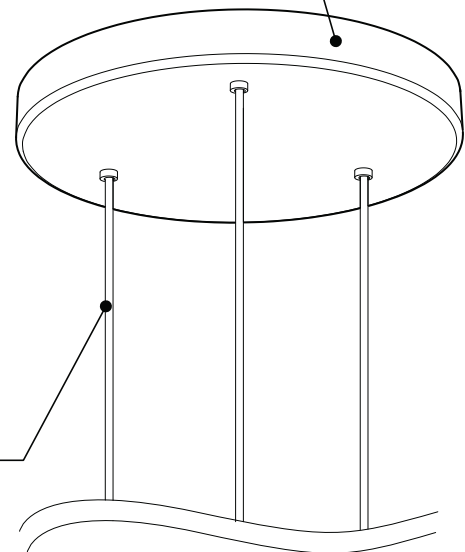
INSTALLATION FACILE ET ROBUSTE
 - Crochets de support fournis pour faciliter l'installation sur une boîte de jonction standard
 - Trous de montage supplémentaires pour renforcer la structure



PAVILLON
 Acier repoussé et chromé

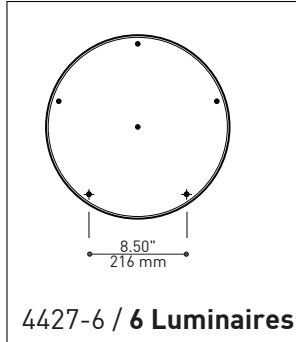
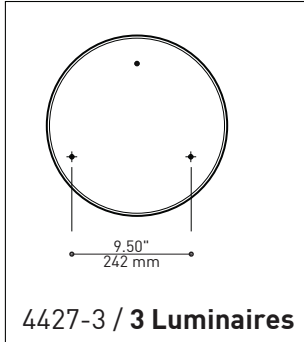


SIMPLE
 Jolie plate-forme chromée pouvant accueillir de 3 à 6 luminaires



SUSPENSION
 60 pouces de câble

DIMENSIONS DISPONIBLE



| LUMINAIRES | CODE | NB. DE LUM. | WATT MAX. | | | | | | | | |
|---------------------|--------------|-------------|--------------|-----|-----|-----|-----|------|------|------|------|
| | | | LIGHT SOURCE | | | DEL | | HAL | | INC | |
| | | | DEL | HAL | INC | 3 | 6 | 3 | 6 | 3 | 6 |
| VEGA | XBL | 3 6 | | | | 33W | 66W | | | | |
| ALVER | MCC | 3 6 | X | | X | 12W | 24W | | | 180W | 360W |
| ROLO PENDANT | MAD | 3 6 | X | X | | 12W | 24W | 150W | 300W | | |
| SPROKET | CFD | 3 6 | X | | | 12W | 24W | | | | |
| MEHA | UAC | 3 6 | X | | | 12W | 24W | | | | |
| FACET | UFC | 3 6 | X | | | 12W | 24W | | | | |
| SILENE | JDJ/JDJA/JMJ | 3 6 | X | | | 12W | 24W | | | | |
| FASIL | XB/XBA | 3 6 | X | | | 33W | 66W | | | | |
| DELTA | VDP/VDPA | 3 6 | X | | | 33W | 66W | | | | |
| SENET | XFY | 3 | X | | | 45W | | | | | |
| DELTA | VDX/VDXA | 3 6 | X | | | 45W | 90W | | | | |
| ^A SHAKER | QFI | 3 | X | X | | 12W | | 150W | | 180W | |