

# BARE 4255-UFL

PROJECT PROJÉT
SPEC TYPE
NOTES



## OVERALL HEIGHT HAUTEUR HORS TOUT

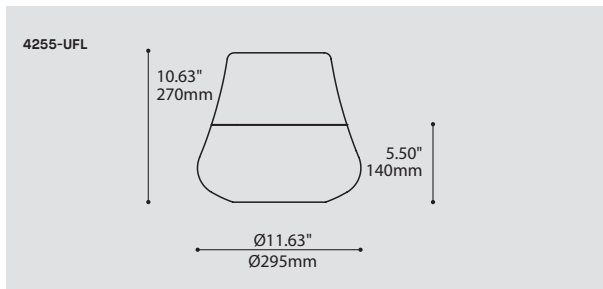
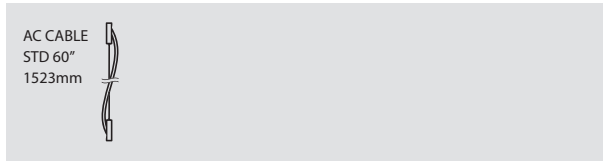
LIGHT SOURCE	INC TRACK 1 CIRCUIT	LED TRACK 1 CIRCUIT	INC	LED DIM -8W 277V
MOUNTING	2734B	2734F	2401E	2403G
CABLE	68.80"	70.45"	69.70"	70.20"

## MOUNTING OPTIONS OPTIONS DE MONTAGE

2734B	2734F	2401E	2403G
1.46" x 1.36"	7.25" x 1.70"	04.50" x 1.00"	04.50" x 1.50"
37 x 35mm	37 x 35mm	0114 x 25mm	0114 x 38mm

\* OVERALL HEIGHT DOES NOT INCLUDE TRACK THICKNESS

## STEM OR CABLE OPTIONS OPTIONS DE TIGE OU CABLE

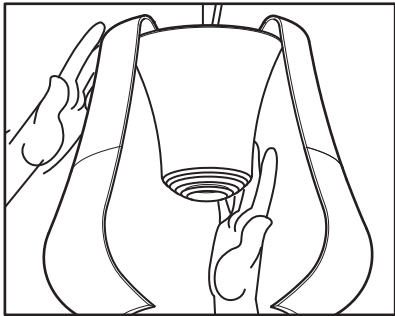
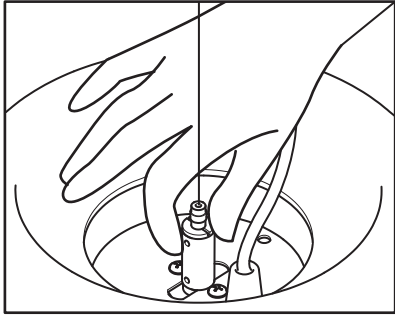


ORDERING SPECIFICATION SPÉCIFICATION DE COMMANDE	CODE
<b>MODEL MODÈLE</b>	<b>4255-UFL</b>
<b>4255-UFL</b> BARE	
<b>LIGHT SOURCE SOURCE LUMINEUSE</b>	
(WATTAGE, LAMP TYPE, LAMP FORM, BASE TYPE, OTHER INFO)	
<b>INC.100</b>	100W, INC, A19 / HAL T10, MEDIUM BASE (120V ONLY)
<b>LED.4</b>	4W, LED
<b>LED.8</b>	8W, LED
<b>LED.18</b>	18W, LED
<b>COLOR TEMPERATURE TEMPÉRATURE DE COULEUR</b>	
FOR LED ONLY	
<b>27</b>	2700K
<b>30</b>	3000K
<b>35</b>	3500K
<b>40*</b>	4000K
*LONGER LEAD TIME MAY APPLY. PLEASE CONTACT YOUR EUREKA REPRESENTATIVE	
<b>COLOR RENDERING INDEX (CRI) INDICE DE RENDU DE COULEUR (IRC)</b>	
<b>90</b>	90+ CRI
FOR LED ONLY - MANDATORY	
<b>VOLTAGE VOLTAGE</b>	
<b>120V</b>	120 VOLT
<b>277V*</b>	277 VOLT
*NOT AVAILABLE WITH A TRACK ADAPTOR	
<b>DIMMING OPTION OPTION DE GRADATION</b>	
FOR LED ONLY	
<b>DV*</b>	0-10V DIMMING (120-277V)
<b>DP</b>	PHASE DIMMING (120V ONLY)
LED DIMMING DRIVER IS STANDARD FOR LED.18, PLEASE SPECIFY YOUR DIMMING TYPE.	
*NOT AVAILABLE WITH A TRACK ADAPTOR	
<b>CABLE CABLE</b>	<b>AC</b>
<b>AC</b>	AIRCRAFT MOUNTING & CLEAR CABLE, FIELD ADJUSTABLE
<b>CABLE LENGTH LONGUEUR DE CABLE</b>	
<b>60</b>	60" AIRCRAFT CABLE (STD LENGTH)
<b>**</b>	CUSTOM AIRCRAFT CABLE LENGTH (PLEASE SPECIFY)
FOR OVERALL LENGTH PLEASE CONTACT YOUR EUREKA REPRESENTATIVE.	
<b>MOUNTING MONTAGE</b>	
<b>RC</b>	ROUND CANOPY / PAVILLON ROND
FOR LED 18W: 0.50" CANOPY (2401C)	
FOR INC & LED 4W AND 8W 120V: 1.00" CANOPY (2401E)	
FOR DIMMING LED 4W AND 8W & LED 8W 277V: 1.75" CANOPY (2403G)	
TRACK ADAPTOR / ADAPTATEUR DE RAIL	
<b>TA1</b>	1 CIRCUIT
INC, LED NON-DIMMING (4W & 8W) & LED (18W) 120V ADAPTOR (2734B)	
LED DIMMING (4W & 8W) 120V ADAPTOR (2734F)	
<b>TRACK ADAPTOR FINISH FINI ADAPTATEUR DE RAIL<sup>(A)</sup></b>	
<b>WH</b>	WHITE
<b>BLK</b>	BLACK
<b>M G</b>	METALLIC GRAY
<sup>(A)</sup> FILL IN IF A TRACK ADAPTOR IS SELECTED, OTHERWISE LEAVE EMPTY	
<b>STRUCTURE FINISH FINI STRUCTURE<sup>(B)</sup></b>	
<b>CHR</b>	CHROME
<b>WH</b>	WHITE
INTERNAL PARABOLIC REFLECTOR SUPPLIED AS WHITE ONLY.	
<sup>(B)</sup> INCLUDE CANOPY FINISH IF CANOPY IS SELECTED	
<b>DIFFUSER FINISH FINI DIFFUSEUR</b>	<b>CFR</b>
<b>CFR</b>	CLEAR / FROSTED

## PRODUCT CHARACTERISTICS CARACTÉRISTIQUES DU PRODUIT

**BIM** **DIM** **IES** **LED**

**DESIGN:** Organic glass pendant with frosted diffusing lamp and parabolic interior reflector.  
**LIGHT SOURCE:** LED as well as many other dimmable fluorescent and incandescent sources.  
**DIFFUSER:** Hand blown clear glass with precisely aligned frosted section.  
**STRUCTURE:** Die-formed steel canopy, fittings and interior reflector with white polyester powder coating.  
**CERTIFIED:** c-CSA-us



BALANCING THE FIXTURE

**PARABOLIC REFLECTOR**  
White powder coated spun  
16Ga aluminium sheet

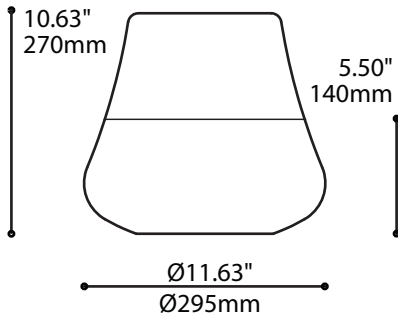
**SINGLE AIRCRAFT CABLE**  
Adjustable on site

**4&8W LED VERSIONS**  
Machined aluminium heatsink  
with integrated driver

**FROST BOTTOM SECTION**  
Sandblasted to protect  
from the glare

**HAND BLOWN CRYSTAL GLASS**  
Clear top section for optimized  
indirect lighting

**18W LED VERSIONS (H0)**  
LED COB with high efficiency  
spherical diffuser



4255-UFL (BARE)



4255-UCR (SKIRT)

## SPECIFICATIONS

**LIGHT SOURCE**  
**DELIVERED LUMENS**  
**CRI**  
**DRIVER**  
**DIMMING**  
**LM-79**  
**WARRANTY**

### LED 4W

4x high power LED (total 4.7W)  
478lm (4000K)  
84 CRI (Typical)  
CC 350mA  
Phase dimming (DP) or 0-10V dimming (DV)  
On request  
5 years

### LED 8W

4x high power LED (total 9.8W)  
875lm (4000K)  
CC 700mA

### LED 18W

1x COB LED (total 18W)  
1429lm (4000K)  
CC 500mA  
On request

## SPECIFICATIONS

**LIGHT SOURCE**  
**DIMMING**  
**VOLTAGE**

### INCANDESCENT

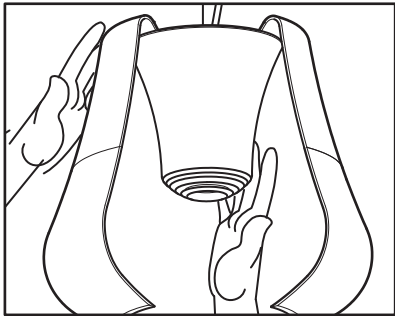
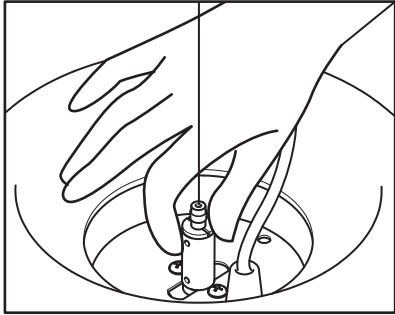
A19, T10 100W  
Always  
120V



225 de Liège Ouest, Suite #200  
Montréal (QC), Canada H2P 1H4  
Tel : 514.385.3515 Fax : 514.385.4169  
[www.eurekalingting.com](http://www.eurekalingting.com)



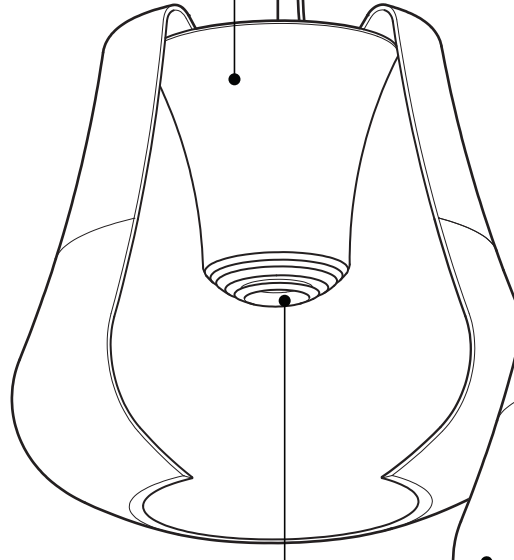
4255-UFL



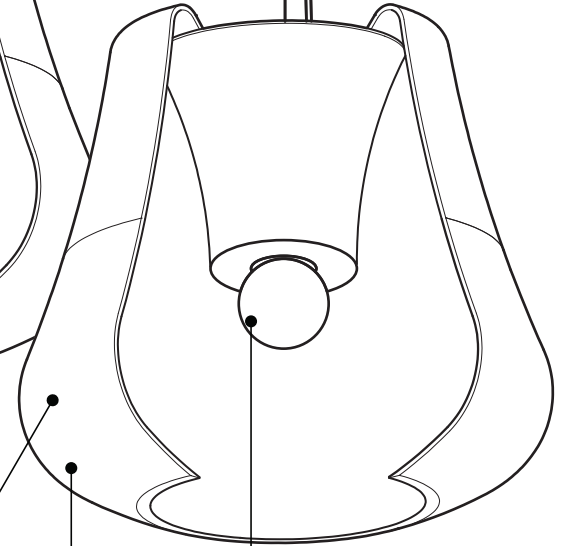
MISE À NIVEAU DU LUMINAIRE

**REFLECTEUR PARABOLIQUE**  
Aluminium repoussé 16Ga  
Peinture blanche en poudre

**UN CABLE D'ACIER**  
Adjustable en chantier



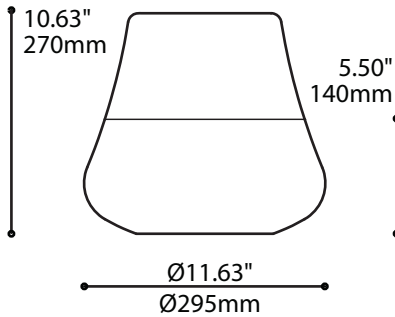
**VERSIONS DEL 4W et 8W**  
Radiateur en aluminium machiné  
avec unité d'alimentation intégrée



**VERSION DEL 18W (HO)**  
DEL COB avec diffuseur  
sphérique de haute efficacité

**SECTION DU BAS GIVRÉE**  
Surface du dessous traitée au sable  
pour minimiser l'éblouissement

**VERRE CRYSTAL SOUFLÉ À LA MAIN**  
Section supérieure claire pour un  
éclairage indirect optimal



4255-UFL (BARE)



4255-UCR (SKIRT)

## SPÉCIFICATIONS

SOURCE LUMINEUSE  
LUMENS RÉELS  
IRC  
ALIMENTATION  
GRADATION  
LM-79  
GARANTIE

### LED 4W

4x DEL haute intensité (total 4.7W)  
478lm (4000K)  
84 IRC (typique)  
CC 350mA  
Gradation de type Phase (DP) ou 0-10V (DV)  
Sur demande  
5 ans

### LED 8W

4x DEL haute intensité (total 9.8W)  
875lm (4000K)

### LED 18W

1x DEL COB (total 18W)  
1429lm (4000K)

## SPÉCIFICATIONS

SOURCE LUMINEUSE  
GRADATION  
VOLTAGE

### INCANDESCENT

A19, T10 100W  
Toujours  
120V



225 de Liège Ouest, Suite #200  
Montréal (QC), Canada H2P 1H4  
Tel : 514.385.3515 Fax : 514.385.4169  
[www.eurekaling.com](http://www.eurekaling.com)



4255-UFL