

SILENE CLASSIC 4156B-JMJ

PROJECT PROJET

SPEC TYPE

NOTES



OVERALL HEIGHT HAUTEUR HORS TOUT

| LIGHT SOURCE | HAL TRACK 1 CIRCUIT | LED TRACK 1 CIRCUIT | HAL-LED | LED DIM |
|--------------|---------------------|---------------------|---------|---------|
| MOUNTING | 2734 | 2734E | 2401E | 2403G |
| CABLE | 73.20" | 73.60" | 73.20" | 73.95" |
| STEM | 48.60" | 49.00" | 47.60" | 48.35" |

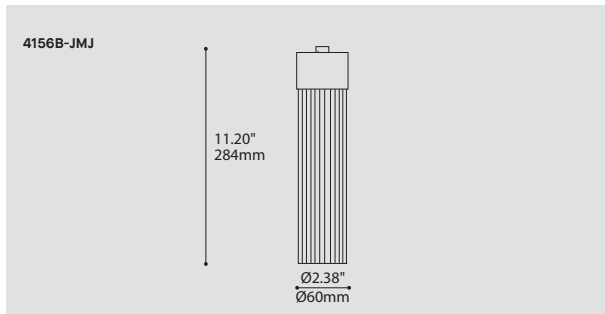
MOUNTING OPTIONS OPTIONS DE MONTAGE

| 2734 | 2734E | 2401E | 2403G |
|----------------------------|-----------------------------|-------------------------------|-------------------------------|
| 3.85" x 2.03" 98 x 52mm | 6.15" x 2.00" 156 x 51mm | Ø4.50" x 1.00" Ø114 x 25mm | Ø4.50" x 1.75" Ø114 x 44mm |

* OVERALL HEIGHT DOES NOT INCLUDE TRACK THICKNESS

STEM OR CABLE OPTIONS OPTIONS DE TIGE OU CABLE

| | |
|--------------------------|----------------------------|
| STEM STD 36" 914mm | CABLE STD 60" 1523mm |
|--------------------------|----------------------------|



ORDERING SPECIFICATION SPÉCIFICATION DE COMMANDE

CODE

MODEL MODÈLE

4156B-JMJ SILENE CLASSIC

4156B-JMJ

LIGHT SOURCE SOURCE LUMINEUSE

(WATTAGE, LAMP TYPE, LAMP FORM, BASE TYPE, OTHER INFO)

BIPIN.50 50W, HAL, BIPIN, GY6.35 BASE

LED.4 4W, LED

*NOT AVAILABLE WITH A TRACK ADAPTOR

COLOR TEMPERATURE TEMPÉRATURE DE COULEUR

FOR LED ONLY

27 2700K

30 3000K

35 3500K

40* 4000K

*LONGER LEAD TIME MAY APPLY, PLEASE CONTACT YOUR EUREKA REPRESENTATIVE

COLOR RENDERING INDEX (CRI) INDICE DE RENDU DE COULEUR (IRC)

90 90+ CRI

FOR LED ONLY - MANDATORY

VOLTAGE VOLTAGE

120V 120 VOLT

277V 277 VOLT

DIMMING OPTION OPTION DE GRADATION

FOR LED ONLY

DV* 0-10V DIMMING (120-277V)

DP PHASE DIMMING (120V ONLY)

*NOT AVAILABLE WITH A TRACK ADAPTOR

STEM OR CABLE TIGE OU CABLE

S6 1/4" (6MM) STEM, FIELD ADJUSTABLE

C CLEAR CABLE, FIELD ADJUSTABLE

STEM OR CABLE LENGTH LONGUEUR DE TIGE OU CABLE

36 36" STEM (STD LENGTH)

60 60" CABLE (STD LENGTH)

** CUSTOM STEM LENGTH (PLEASE SPECIFY)

** CUSTOM CABLE LENGTH (PLEASE SPECIFY)

FOR OVERALL LENGTH PLEASE CONTACT YOUR EUREKA REPRESENTATIVE.

MOUNTING MONTAGE

RC



ROUND CANOPY / PAVILLON ROND

FOR HAL & LED: 1.00" CANOPY (2401E)

FOR DIMMING LED: 1.75" CANOPY (2403G)

TA1



TRACK ADAPTOR / ADAPTEUR DE RAIL

1 CIRCUIT

HAL 120/12V ADAPTOR (2734)

LED DIMMING & NON-DIMMING 120V ADAPTOR (2734E)

MOUNTING OPTION OPTION DE MONTAGE

SCA* SLOPE CEILING ADAPTOR / ADAPTEUR DE PLAFOND EN PENTE (ROTATION: 350°, PIVOT: 90°)

*ONLY AVAILABLE WITH A STEM

TRACK ADAPTOR FINISH FINI ADAPTEUR DE RAIL^(A)

WH WHITE

BLK BLACK

M G METALLIC GRAY (2734 ONLY)

^(A) FILL IN IF A TRACK ADAPTOR IS SELECTED, OTHERWISE LEAVE EMPTY

STRUCTURE FINISH FINI STRUCTURE

CHR CHROME

S C SATIN CHROME

CANOPY FINISH FINI PAVILLON^(B)

WH WHITE

^(B) IF NO FINISH IS SELECTED, CANOPY FINISH WILL BE THE SAME AS STRUCTURE FINISH

DIFFUSER FINISH FINI DIFFUSEUR

CLR CLEAR

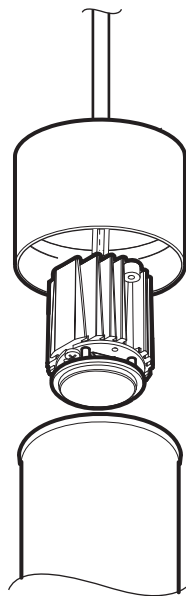
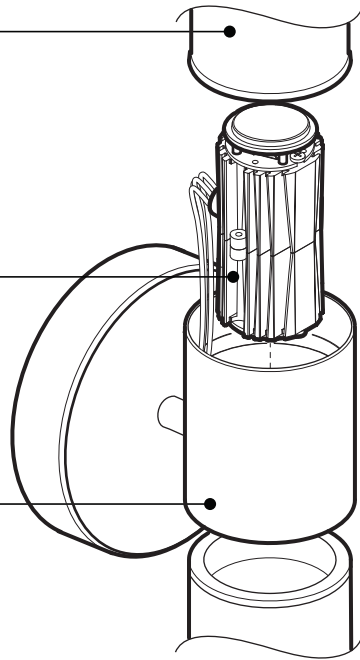
CLR

WALL MOUNT 3155B-JMJ/JDJ/JDJA

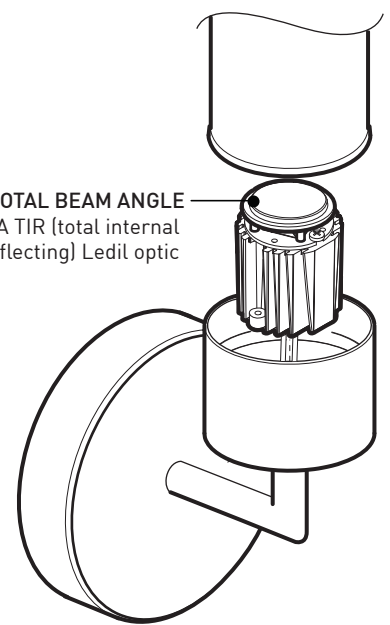
SUSPENSION 4156B-JMJ/JDJ/JDJA

WALL MOUNT 3156B-JMJ/JDJ/JDJA

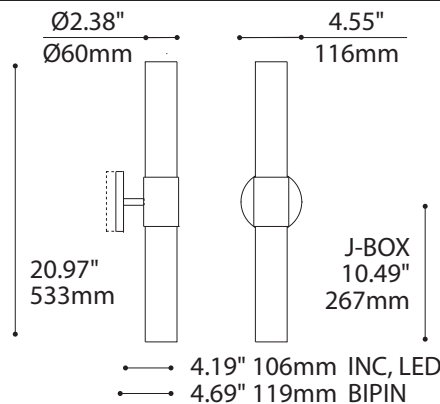
- SCREW MOUNT GLASS
 - JMJ-CLR
Extruded clear or frosted ribbed glass
 - JDJ-WH/FRO
Hand blown white triplex glass
 - JDJA-WH
Closed top white acrylic shade
- LED MODULE WITH DIE-CAST ALUMINUM HEATSINK (DOUBLE FOR 3155B)
 - Black anodized for improved thermal management
- STRUCTURE
 - Die-stamped steel with plated finish



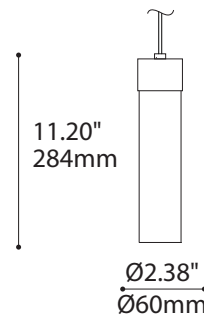
48° TOTAL BEAM ANGLE
PMMA TIR (total internal reflecting) Ledil optic



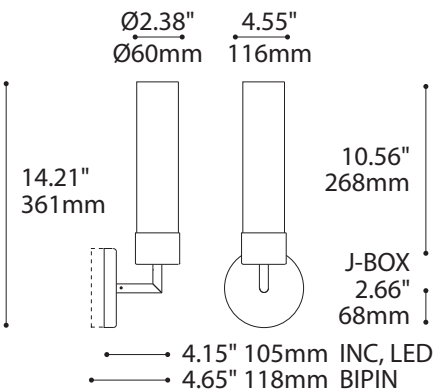
OTHER LIGHT SOURCES AVAILABLE
Halogen (for JDJ/JMJ)
Incandescent (for JDJ/JMJ)



3155B



4156B



3156B

SPECIFICATIONS

LIGHT SOURCE MODULE
LUMENS (DELIVERED)
CRI
ROHS
VOLTAGE
DRIVER
DIMMING
WARRANTY
LM-79 & CERTIFICATION

3155B LED

2 x Nichia - total ± 8 w
UL recognized - made in USA
880 lm (JDJ-WH) / 626 lm (JDJA-WH)
85 CRI (typical)
Compliant
120V - 277V
350 mA
Phase dimming (DP) & 0-10V Dimming (DV)
5 years (on electronic components)
On request & CSA recognized

4156B /3156B LED

1 x Nichia - total ± 4 w
440 lm (JDJ-WH) / 312 lm (JDJA-WH)

SPECIFICATIONS

LIGHT SOURCE
VOLTAGE

Halogen (for JDJ/JMJ)

Bipin 50 w (x 2 for 3155B)
120V-277V

Incandescent (for JDJ/JMJ)

B10/T10 100 w (x 2 for 3155B)
120V

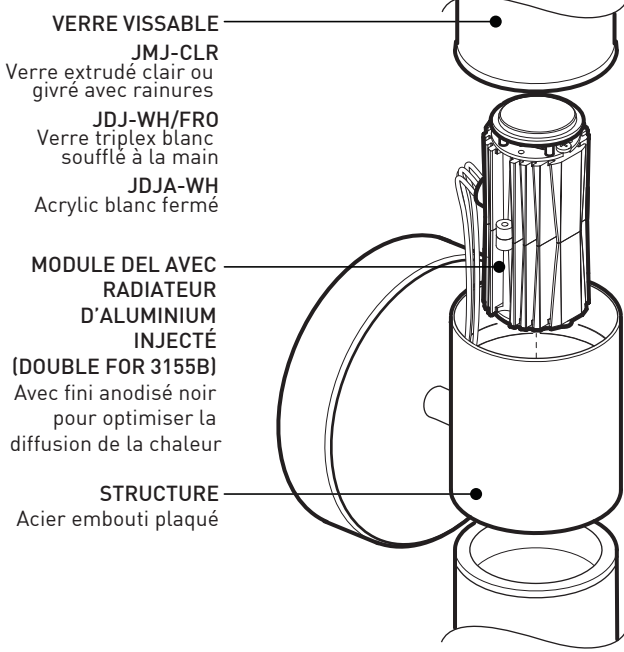


225 de Liège Ouest, Suite #200
Montréal (QC), Canada H2P 1H4
Tel : 514.385.3515 Fax : 514.385.4169
www.eurekalighting.com

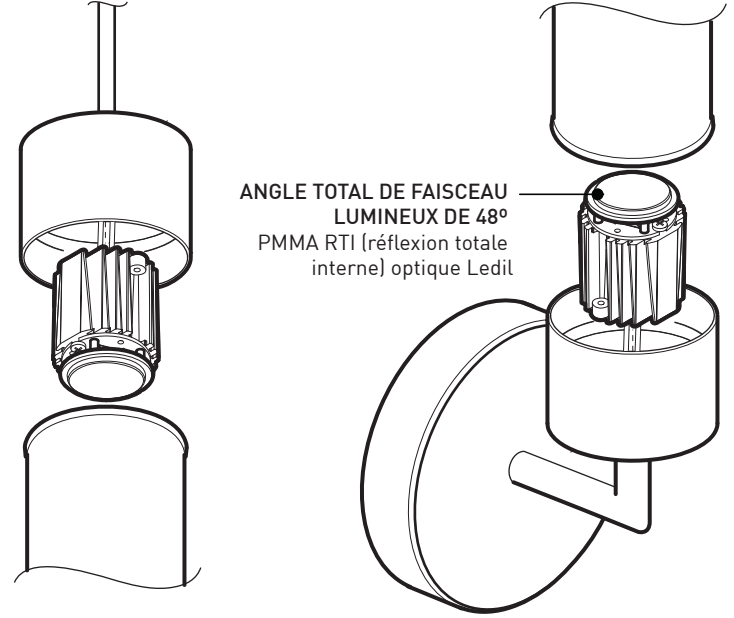


3155B 4156B
3156B

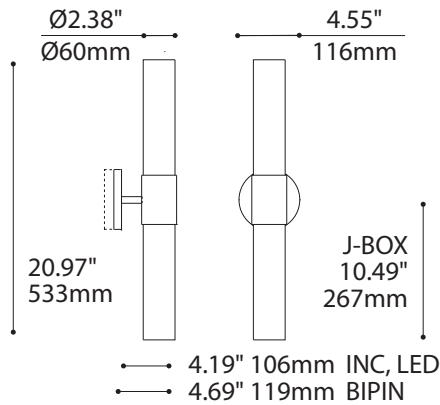
APPLIQUE MURALE 3155B-JMJ/JDJ/JDJA



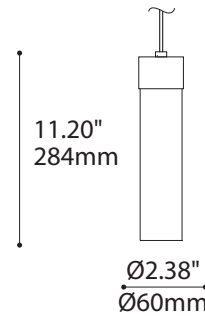
SUSPENSION 4156B-JMJ/JDJ/JDJA APPLIQUE MURALE 3156B-JMJ/JDJ/JDJA



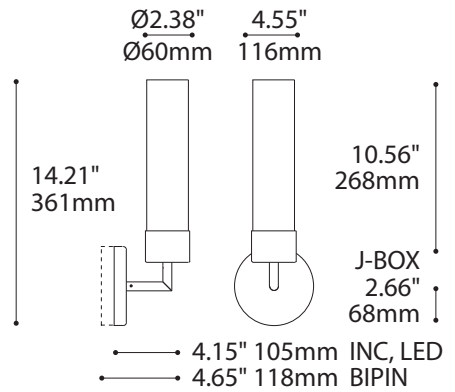
AUTRES SOURCES LUMINEUSES DISPONIBLES
Halogène (pour JDJ/JMJ)
Incandescent (pour JDJ/JMJ)



3155B



4156B



3156B

SPECIFICATIONS

SOURCE LUMINEUSE
MODULE
LUMENS LIVRÉ
IRC
ROHS
VOLTAGE
PILOTE
GRADATION
GARANTIE
LM-79 & CERTIFICATION

3155B DEL

2 x Nichia - total ±8 w
Reconnu par UL - fabriqué aux États-Unis
880 lm (JDJ-WH) / 626 lm (JDJA-WH)
85 CRI [typique]
Conforme
120V - 277V
350 mA
Gradation phase [DP] & Gradation 0-10V [DV]
5 ans (sur les composantes électroniques)
Sur demande & reconnu par CSA

4156B /3156B DEL

1 x Nichia - total ±4 w
440 lm (JDJ-WH) / 312 lm (JDJA-WH)

SPECIFICATIONS

SOURCE LUMINEUSE
VOLTAGE

Halogène (for JDJ/JMJ)

Bipin 50 w (x 2 pour 3155B)
120V-277V

Incandescent (for JDJ/JMJ)

B10/T10 100 w (x 2 pour 3155B)
120V