

# SILENE CLASSIC 4156B-JDJ

PROJECT PROJET

SPEC TYPE

NOTES



## OVERALL HEIGHT HAUTEUR HORS TOUT

LIGHT SOURCE	HAL TRACK 1 CIRCUIT	LED TRACK 1 CIRCUIT	HAL-LED	LED DIM
MOUNTING	2734	2734E	2401E	2403G
CABLE	73.20"	73.60"	73.20"	73.95"
STEM	48.60"	49.00"	47.60"	48.35"

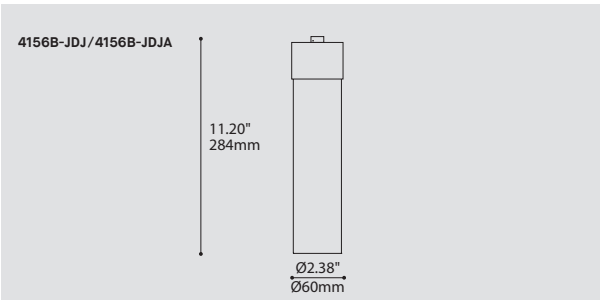
## MOUNTING OPTIONS OPTIONS DE MONTAGE

2734	2734E	2401E	2403G
3.85" x 2.03" 98 x 52mm	6.15" x 2.00" 156 x 51mm	Ø4.50" x 1.00" Ø114 x 25mm	Ø4.50" x 1.75" Ø114 x 44mm

\* OVERALL HEIGHT DOES NOT INCLUDE TRACK THICKNESS

## STEM OR CABLE OPTIONS OPTIONS DE TIGE OU CABLE

STEM	CABLE
STD 36" 914mm	STD 60" 1523mm



## ORDERING SPECIFICATION SPÉCIFICATION DE COMMANDE

CODE

MODEL MODÈLE

4156-JDJ

4156B-JDJ SILENE CLASSIC

LIGHT SOURCE SOURCE LUMINEUSE

(WATTAGE, LAMP TYPE, LAMP FORM, BASE TYPE, OTHER INFO)

BIPIN.50 50W, HAL, BIPIN, GY6.35 BASE

LED.4 4W, LED

\*NOT AVAILABLE WITH A TRACK ADAPTOR

COLOR TEMPERATURE TEMPÉRATURE DE COULEUR

FOR LED ONLY

27 2700K

30 3000K

35 3500K

40\* 4000K

\*LONGER LEAD TIME MAY APPLY, PLEASE CONTACT YOUR EUREKA REPRESENTATIVE

COLOR RENDERING INDEX (CRI) INDICE DE RENDU DE COULEUR (IRC)

90 90+ CRI

FOR LED ONLY- MANDATORY

VOLTAGE VOLTAGE

120V 120 VOLT

277V\* 277 VOLT

DIMMING OPTION OPTION DE GRADATION

FOR LED ONLY

DV\* 0-10V DIMMING (120-277V)

DP PHASE DIMMING (120V ONLY)

\*NOT AVAILABLE WITH A TRACK ADAPTOR

STEM OR CABLE TIGE OU CABLE

S6 1/4" (6MM) STEM, FIELD ADJUSTABLE

C CLEAR CABLE, FIELD ADJUSTABLE

STEM OR CABLE LENGTH LONGUEUR DE TIGE OU CABLE

36 36" STEM (STD LENGTH)

60 60" CABLE (STD LENGTH)

\*\* CUSTOM STEM LENGTH (PLEASE SPECIFY)

\*\* CUSTOM CABLE LENGTH (PLEASE SPECIFY)

FOR OVERALL LENGTH PLEASE CONTACT YOUR EUREKA REPRESENTATIVE.

MOUNTING MONTAGE

RC



ROUND CANOPY / PAVILLON ROND

FOR HAL & LED: 1.00" CANOPY (2401E)

FOR DIMMING LED: 1.75" CANOPY (2403G)

TA1



TRACK ADAPTOR / ADAPTATEUR DE RAIL

1 CIRCUIT

HAL 120/12V ADAPTOR (2734)

LED DIMMING & NON-DIMMING 120V ADAPTOR (2734E)

MOUNTING OPTION OPTION DE MONTAGE

SCA\*

SLOPE CEILING ADAPTOR / ADAPTATEUR DE PLAFOND EN PENTE (ROTATION: 350°, PIVOT: 90°)

\*ONLY AVAILABLE WITH A STEM

TRACK ADAPTOR FINISH FINI ADAPTATEUR DE RAIL<sup>(A)</sup>

WH WHITE

BLK BLACK

M G METALLIC GRAY (2734 ONLY)

<sup>(A)</sup> FILL IN IF A TRACK ADAPTOR IS SELECTED, OTHERWISE LEAVE EMPTY

STRUCTURE FINISH FINI STRUCTURE

CHR CHROME

S C SATIN CHROME

CANOPY FINISH FINI PAVILLON<sup>(B)</sup>

WH WHITE

<sup>(B)</sup> IF NO FINISH IS SELECTED, CANOPY FINISH WILL BE THE SAME AS STRUCTURE FINISH

DIFFUSER FINISH FINI DIFFUSEUR

WH WHITE

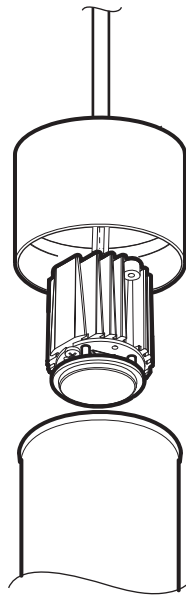
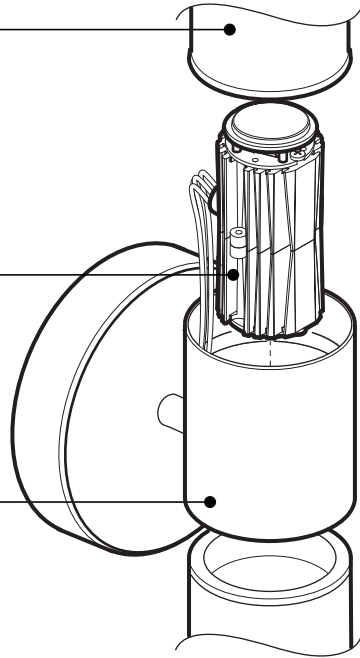
FRO FROSTED

WALL MOUNT 3155B-JMJ/JDJ/JDJA

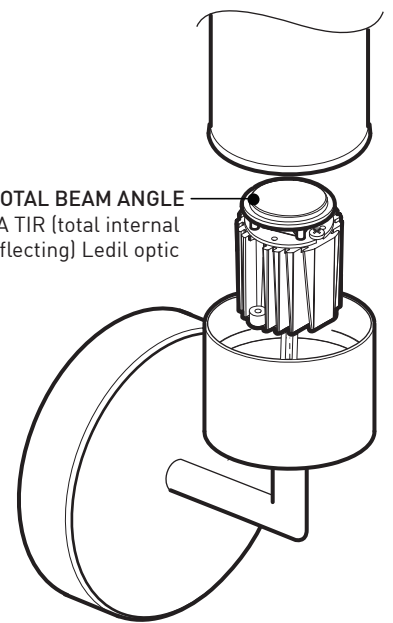
SUSPENSION 4156B-JMJ/JDJ/JDJA

WALL MOUNT 3156B-JMJ/JDJ/JDJA

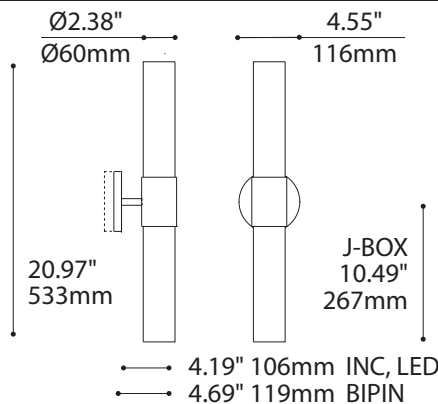
- SCREW MOUNT GLASS  
JMJ-CLR  
Extruded clear or frosted ribbed glass
- JDJ-WH/FRO  
Hand blown white triplex glass
- JDJA-WH  
Closed top white acrylic shade
- LED MODULE WITH DIE-CAST ALUMINUM HEATSINK (DOUBLE FOR 3155B)  
Black anodized for improved thermal management
- STRUCTURE  
Die-stamped steel with plated finish



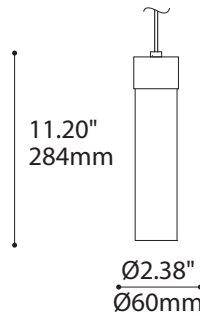
48° TOTAL BEAM ANGLE  
PMMA TIR (total internal reflecting) Ledil optic



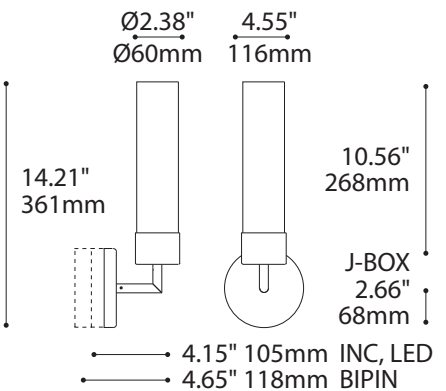
**OTHER LIGHT SOURCES AVAILABLE**  
Halogen (for JDJ/JMJ)  
Incandescent (for JDJ/JMJ)



3155B



4156B



3156B

## SPECIFICATIONS

LIGHT SOURCE MODULE  
LUMENS (DELIVERED)  
CRI  
ROHS  
VOLTAGE  
DRIVER  
DIMMING  
WARRANTY  
LM-79 & CERTIFICATION

### 3155B LED

2 x Nichia - total  $\pm 8$  w  
UL recognized - made in USA  
880 lm (JDJ-WH) / 626 lm (JDJA-WH)  
85 CRI (typical)  
Compliant  
120V - 277V  
350 mA  
Phase dimming (DP) & 0-10V Dimming (DV)  
5 years (on electronic components)  
On request & CSA recognized

### 4156B /3156B LED

1 x Nichia - total  $\pm 4$  w  
440 lm (JDJ-WH) / 312 lm (JDJA-WH)

## SPECIFICATIONS

LIGHT SOURCE  
VOLTAGE

### Halogen (for JDJ/JMJ)

Bipin 50 w (x 2 for 3155B)  
120V-277V

### Incandescent (for JDJ/JMJ)

B10/T10 100 w (x 2 for 3155B)  
120V

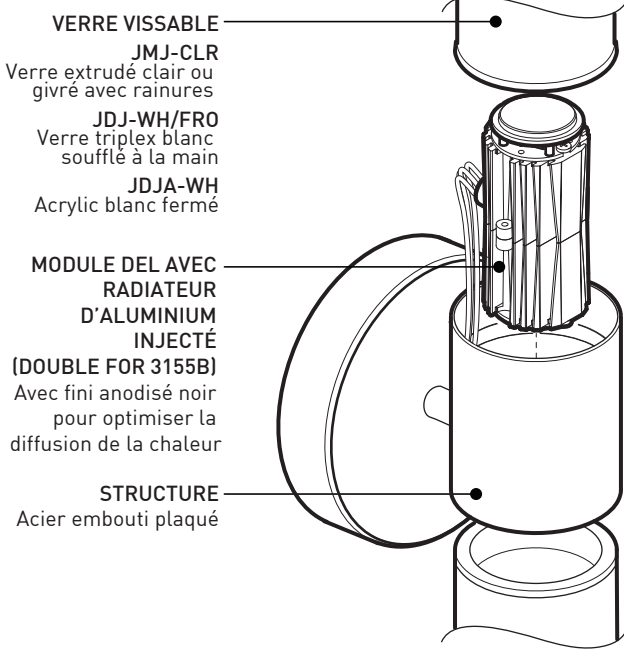


225 de Liège Ouest, Suite #200  
Montréal (QC), Canada H2P 1H4  
Tel : 514.385.3515 Fax : 514.385.4169  
www.eurekalighting.com

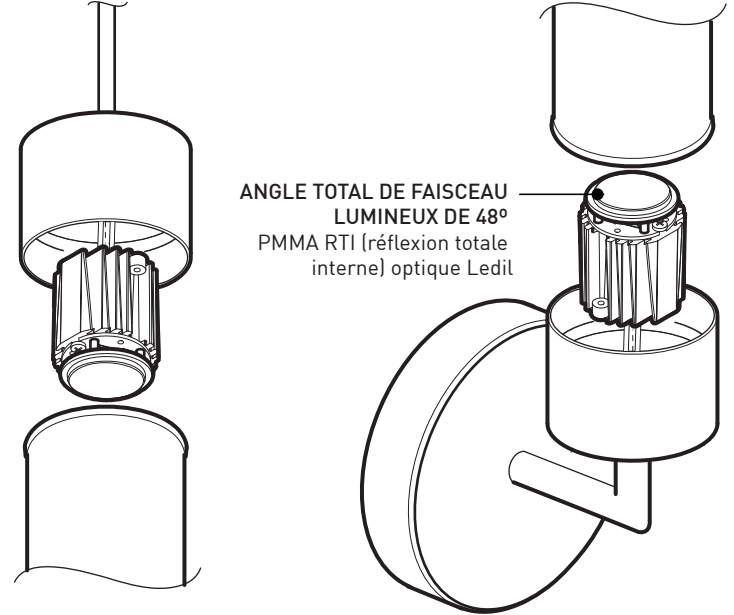


3155B 4156B  
3156B

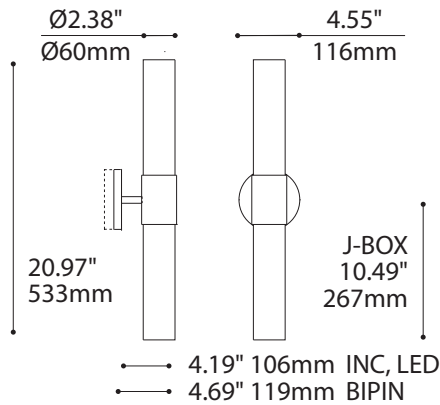
APPLIQUE MURALE 3155B-JMJ/JDJ/JDJA



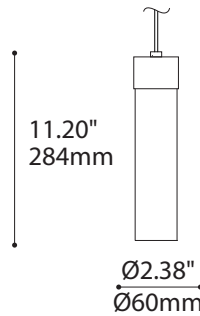
SUSPENSION 4156B-JMJ/JDJ/JDJA APPLIQUE MURALE 3156B-JMJ/JDJ/JDJA



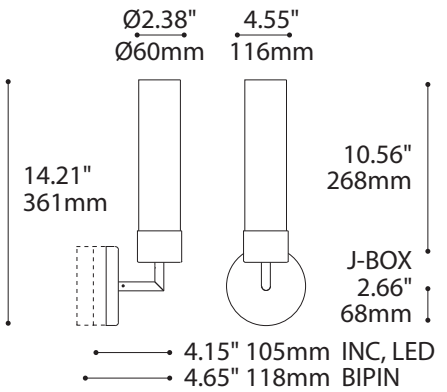
**AUTRES SOURCES LUMINEUSES DISPONIBLES**  
Halogène (pour JDJ/JMJ)  
Incandescent (pour JDJ/JMJ)



3155B



4156B



3156B

## SPECIFICATIONS

SOURCE LUMINEUSE  
MODULE  
LUMENS LIVRÉ  
IRC  
ROHS  
VOLTAGE  
PILOTE  
GRADATION  
GARANTIE  
LM-79 & CERTIFICATION

### 3155B DEL

2 x Nichia - total ±8 w  
Reconnu par UL - fabriqué aux États-Unis  
880 lm (JDJ-WH) / 626 lm (JDJA-WH)  
85 CRI [typique]  
Conforme  
120V - 277V  
350 mA  
Gradation phase [DP] & Gradation 0-10V [DV]  
5 ans (sur les composantes électroniques)  
Sur demande & reconnu par CSA

### 4156B /3156B DEL

1 x Nichia - total ±4 w  
440 lm (JDJ-WH) / 312 lm (JDJA-WH)

## SPECIFICATIONS

SOURCE LUMINEUSE  
VOLTAGE

### Halogène (for JDJ/JMJ)

Bipin 50 w (x 2 pour 3155B)  
120V-277V

### Incandescent (for JDJ/JMJ)

B10/T10 100 w (x 2 pour 3155B)  
120V



225 de Liège Ouest, Suite #200  
Montréal (QC), Canada H2P 1H4  
Tel : 514.385.3515 Fax : 514.385.4169  
www.eurekalingting.com



**3155B 4156B**  
**3156B**