

VOXEL 4064

PROJECT PROJÉT
SPEC TYPE
NOTES



OVERALL HEIGHT HAUTEUR HORS TOUT

LIGHT SOURCE	LED TRACK 1 CIRCUIT	LED *	LED DIM * -8W 277V *
MOUNTING	2734E	2401C	2403G
STEM 4026	41.05"	38.55"	39.55"
STEM 4064	44.30"	41.80"	42.80"

FOR 2026 /2064 ADD 1.60" FOR SWIVEL
*FOR NO STEM / STEM ≤12IN -CANOPY 2401C + ACCESSORY 3983

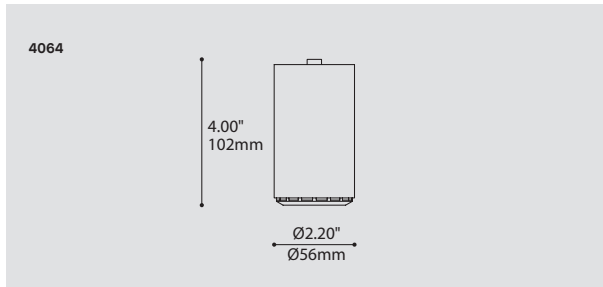
MOUNTING OPTIONS OPTIONS DE MONTAGE

2734E	2401C	2403G
6.15" x 2.00" 156 x 51mm	Ø4.50" x 0.50" Ø114 x 13mm	Ø4.50" x 1.75" Ø114 x 44mm

* OVERALL HEIGHT DOES NOT INCLUDE TRACK THICKNESS

STEM OR CABLE OPTIONS OPTIONS DE TIGE OU CABLE

STEM STD 36" 914mm	
--------------------------	--



ORDERING SPECIFICATION SPÉCIFICATION DE COMMANDE	CODE
MODEL MODÈLE	
4064 VOXEL (PENDANT)	
LIGHT SOURCE SOURCE LUMINEUSE	
(WATTAGE, LAMP TYPE, OTHER INFO)	
LED.4 4W, LED	
LED.8 8W, LED	
COLOR TEMPERATURE TEMPÉRATURE DE COULEUR	
27 2700K	
30 3000K	
35 3500K	
40* 4000K	
*LONGER LEAD TIME MAY APPLY, PLEASE CONTACT YOUR EUREKA REPRESENTATIVE	
COLOR RENDERING INDEX (CRI) INDICE DE RENDU DE COULEUR (IRC)	90
90 90+ CRI	
ANGLE BEAM ANGLE DE FAISCEAU	
17 17°	
48 48°	
VOLTAGE VOLTAGE	
120V 120 VOLT	
277V* 277 VOLT	
*NOT AVAILABLE WITH A TRACK ADAPTOR	
DIMMING OPTION OPTION DE GRADATION	
DV* 0-10V DIMMING (120-277V)	
DP PHASE DIMMING (120V ONLY)	
*NOT AVAILABLE WITH A TRACK ADAPTOR	
STEM TIGE	S6
S6 1/4" (6MM) STEM, FIELD ADJUSTABLE	
STEM LENGTH LONGUEUR DE TIGE	
36 36" STEM (STD LENGTH)	
** CUSTOM STEM LENGTH (PLEASE SPECIFY)*	
FOR OVERALL LENGTH PLEASE CONTACT YOUR EUREKA REPRESENTATIVE.	
*3983 ACCESSORY PROVIDED FOR STEM/CABLE ≤ 12", EXCEPT LED 8W 120 NON-DIMMING	
MOUNTING MONTAGE	
RC*	ROUND CANOPY / PAVILLON ROND FOR LED NON-DIMMING & STEM ≤ 12": 0.50" CANOPY (2401C) FOR DIMMING LED & 8W 277V: 1.75" CANOPY (2403G) *CANOPY FINISH ALWAYS CHROME
TA1	TRACK ADAPTOR / ADAPTEUR DE RAIL 1 CIRCUIT LED DIMMING & NON-DIMMING 120V ADAPTOR (2734E)
MOUNTING OPTION OPTION DE MONTAGE	
SCA*	SLOPE CEILING ADAPTOR / ADAPTEUR DE PLAFOND EN PENTE (ROTATION: 350°, PIVOT: 90°) *ONLY AVAILABLE WITH A STEM
TRACK ADAPTOR FINISH FINI ADAPTEUR DE RAIL (A)	
WH WHITE	
BLK BLACK	
(A) FILL IN IF A TRACK ADAPTOR IS SELECTED, OTHERWISE LEAVE EMPTY	
STRUCTURE FINISH FINI STRUCTURE	CHR
CHR CHROME	
CYLINDER FINISH FINI CYLINDRE	
BLKA BLACK ANODIZED	
SA SATIN ALUMINUM	
WHE WHITE FINE TEXTURE	
HEATSINK FINISH FINI RADIATEUR	BLKA
BLKA BLACK ANODIZED	
ACCESSORY ACCESSOIRE	
3983 DEEP JUNCTION BOX (PROVIDED FOR STEM ≤ 12" AS PER ABOVE)	

PRODUCT CHARACTERISTICS CARACTÉRISTIQUES DU PRODUIT

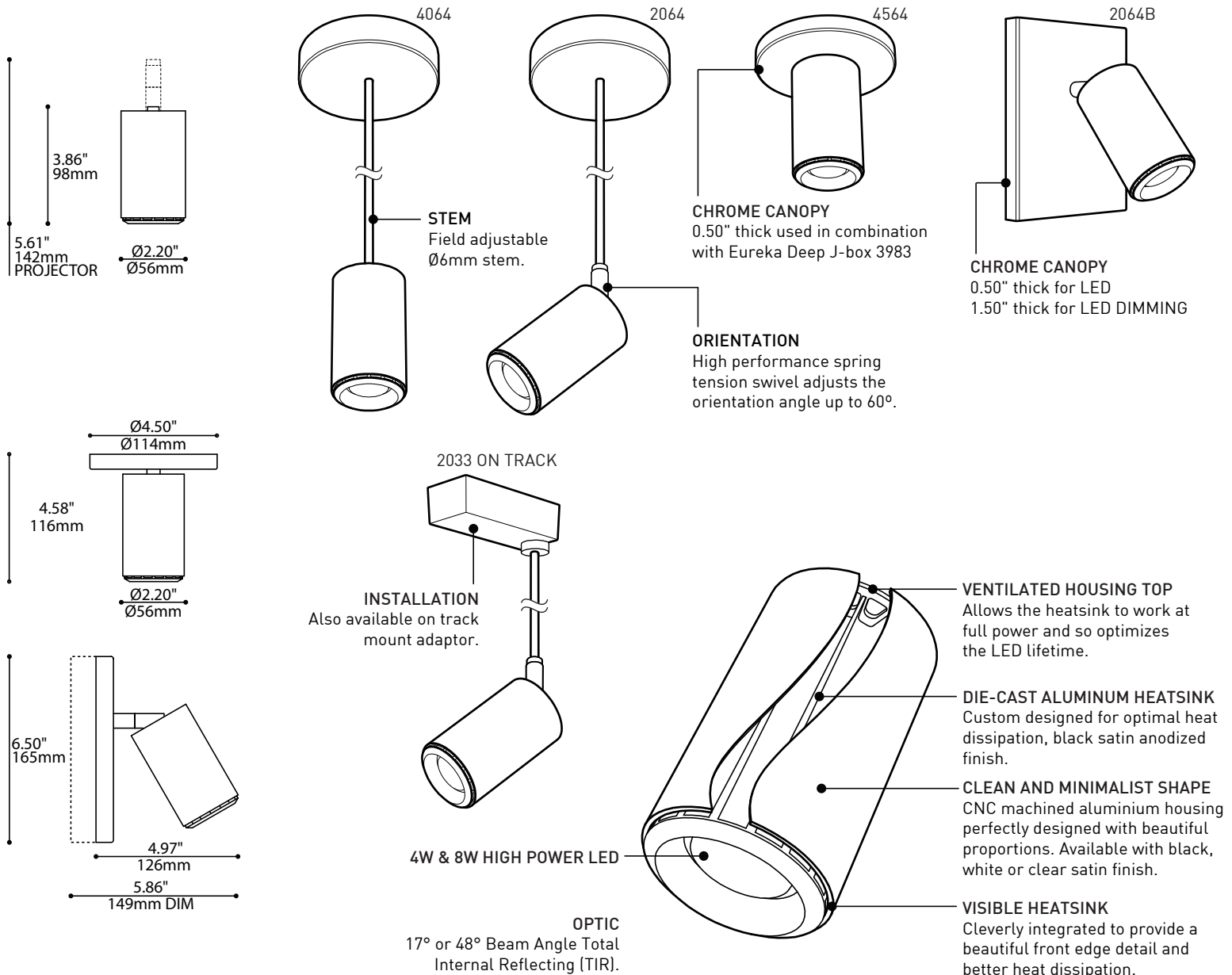


DESIGN: Same beautiful proportions and clean look of the Point, Voxel and Pixel are smaller sized minimalist projectors. Cleverly integrated heat sink with beautiful front edge detail and incredible LED performance in a mini-projector.

OPTIC: 17° or 48° beam angle total internal reflecting (TIR) multi-lens.

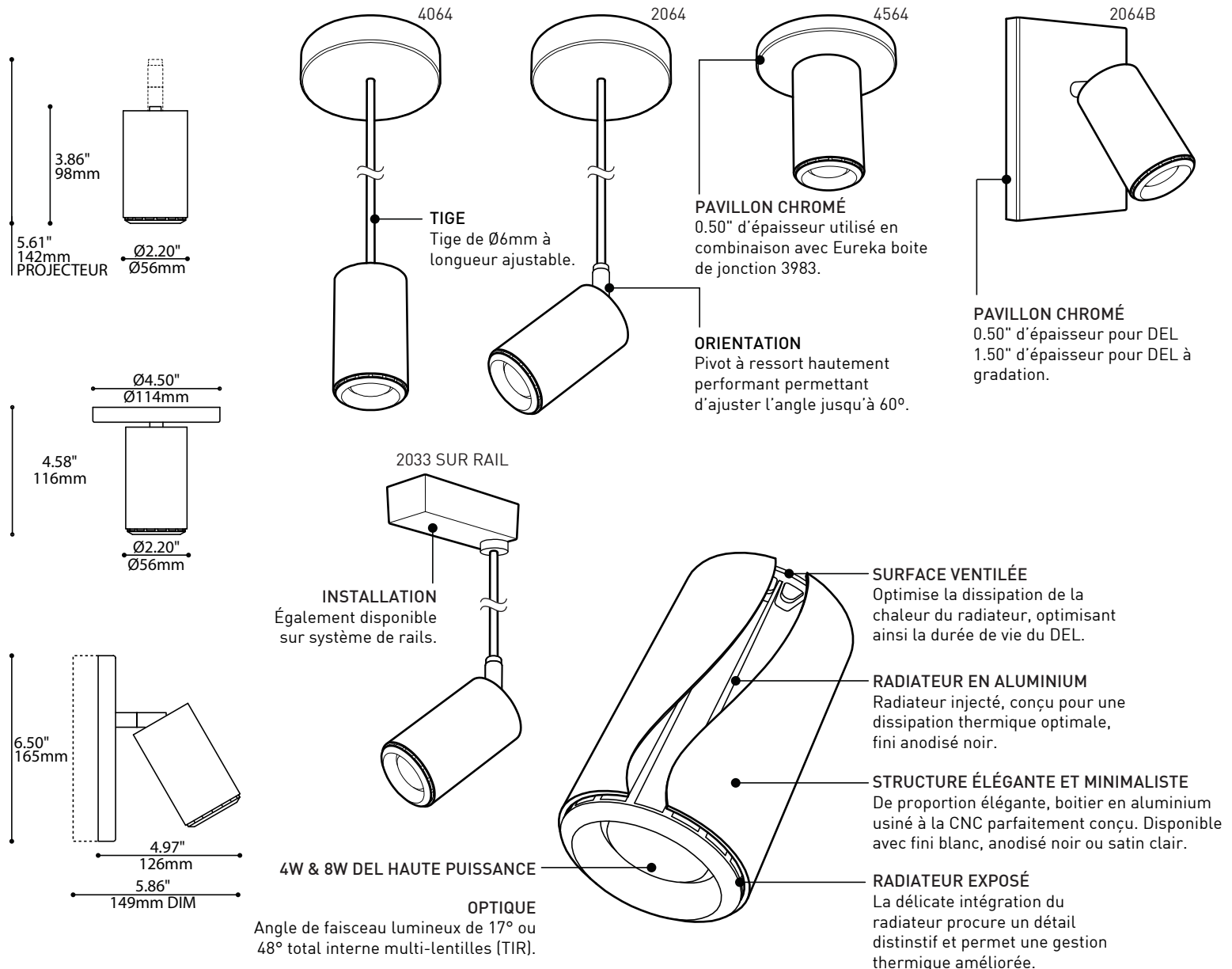
STRUCTURE: Black anodized die-cast aluminum heat sink with CNC machined aluminum housing available in satin aluminum finish, black or white polyester powder finish.

CERTIFIED: c-CSA-us, c-UL-us



SPECIFICATIONS

	4W LED	8W LED
LIGHT SOURCE	4x1W High Power LED on MCPCB - System Wattage 4.9W Total	4x2W High Power LED on MCPCB - System Wattage 9.9W Total
DELIVERED LUMENS	541 lm	1003 lm
CRI	80 CRI (typical)	
CCT	3-step MacAdam Ellipse binning	
HOUSING	Machined aluminium cylinder	
HEATSINK	Black anodized aluminum	
LIGHT DISTRIBUTION	Directional projector (2064/2064B) or Direct (4064/4564)	
OPTICS	Total Internal Reflection (TIR) of 17° & 48° beam angle	
VOLTAGE	120V (DP) and 120-277V (DV)	
DRIVER	Constant Current driver 350mA, UL Recognized	Constant Current driver 700mA, UL Recognized
DIMMING	Phase Dimming (DP) and 0-10V Dimming (DV)	
LM-79	On request	On request
WARRANTY	5 years	



SPECIFICATIONS

	4W DEL	8W DEL
SOURCE LUMINEUSE	4 DEL 1W haute puissance - Puissance totale de 4.8W	4 DEL 2W haute puissance - Puissance totale de 9.9W
LUMENS RÉELS	541 lm	1003 lm
IRC	80 CRI (typique)	
CCT	3-step MacAdam Ellipse binning	
BOÎTIER	Cylindre en aluminium usiné	
RADIATEUR	Aluminium anodisé noir	
DISTRIBUTION LUMINEUSE	Projecteur directionnel (2064/2064B) ou Direct (4064/4564)	
OPTIQUES	Angle de faisceau de 17° & 48° Réflexion totale interne (TIR)	
VOLTAGE	120V (DP) et 120-277V (DV)	
PILOTE	Courant Constant 350mA, Reconnu UL	Courant Constant 700mA, Reconnu UL
GRADATION	DP "phase dimming" et DV "0-10V dimming"	
LM-79	Sur demande	Sur demande
GARANTIE	5 ans	