

# SILENE 4034-WQ

PROJECT PROJÉT
SPEC TYPE
NOTES



## OVERALL HEIGHT HAUTEUR HORS TOUT

LIGHT SOURCE	HAL TRACK 1 CIRCUIT	INC TRACK 1 CIRCUIT	INC HAL
MOUNTING	2734	2734B	2401E
CABLE	70.65"	70.00"	69.65"
STEM	46.15"	45.55"	45.15"

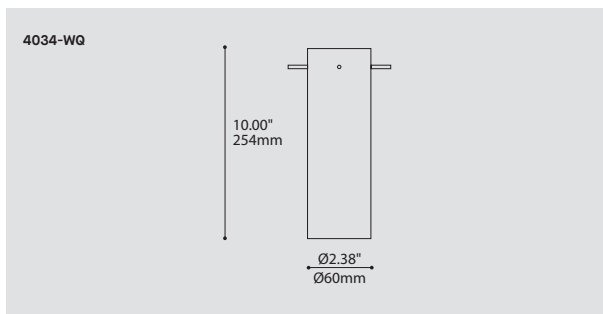
## MOUNTING OPTIONS OPTIONS DE MONTAGE

2734	2734B	2401E
3.85" x 2.03" 98 x 52mm	1.46" x 1.36" 37 x 35mm	Ø4.5" x 1" Ø114 x 25mm

\* OVERALL HEIGHT DOES NOT INCLUDE TRACK THICKNESS

## STEM OR CABLE OPTIONS OPTIONS DE TIGE OU CABLE

STEM STD 36" 914mm	CABLE STD 60" 1523mm



## ORDERING SPECIFICATION SPÉCIFICATION DE COMMANDE

MODEL MODÈLE **4034-WQ** CODE

4034-WQ SILENE

LIGHT SOURCE SOURCE LUMINEUSE

(WATTAGE, LAMP TYPE, LAMP FORM, BASE TYPE, OTHER INFO)

BIPIN.50 50W, HAL, BIPIN, GY6.35 BASE  
INC.100 100W, INC, B10 / HAL T10, MEDIUM BASE (120V ONLY)

VOLTAGE VOLTAGE

120V 120 VOLT  
277V\* 277 VOLT

STEM OR CABLE TIGE OU CABLE

S6 1/4" (6MM) STEM, FIELD ADJUSTABLE  
C CLEAR CABLE, FIELD ADJUSTABLE

STEM OR CABLE LENGTH LONGUEUR DE TIGE OU CABLE

36 36" STEM (STD LENGTH)  
60 60" CABLE (STD LENGTH)  
\*\* CUSTOM STEM LENGTH (PLEASE SPECIFY)  
\*\* CUSTOM STEM LENGTH (PLEASE SPECIFY)  
FOR OVERALL LENGTH PLEASE CONTACT YOUR EUREKA REPRESENTATIVE

MOUNTING MONTAGE

RC ROUND CANOPY / PAVILLON ROND  
FOR INC & HAL: 1" CANOPY (2401E)  
TA1 TRACK ADAPTOR / ADAPTEUR DE RAIL  
1 CIRCUIT  
HAL 120/12V ADAPTOR (2734)

MOUNTING OPTION OPTION DE MONTAGE

SCA\* SLOPE CEILING ADAPTOR / ADAPTEUR DE PLAFOND EN PENTE (ROTATION: 350°, PIVOT: 90°)  
\*ONLY AVAILABLE WITH A STEM

TRACK ADAPTOR FINISH FINI ADAPTEUR DE RAIL<sup>(A)</sup>

WH WHITE  
BLK BLACK  
M G METALLIC GRAY (1 CIRCUIT ONLY)  
<sup>(A)</sup> FILL IN IF A TRACK ADAPTOR IS SELECTED, OTHERWISE LEAVE EMPTY

STRUCTURE FINISH FINI STRUCTURE<sup>(B)</sup>

BLK BLACK  
CHR CHROME  
S C SATIN CHROME  
<sup>(B)</sup> INCLUDE CANOPY FINISH IF A CANOPY IS SELECTED

DIFFUSER FINISH FINI DIFFUSEUR **WH**

WH WHITE

## PRODUCT CHARACTERISTICS CARACTÉRISTIQUES DU PRODUIT

**BIM** **DIM** **IES**

**DESIGN:** Contemporary classic glass pendant may be mounted on track, canopy or sloped ceiling adaptor.  
**INSTALLATION:** Cable or 6mm stem (2801) field adjustable; 10mm stem (2805) (not field adjustable).  
**STRUCTURE:** Die-stamped steel and tubular steel structure with plated finish.  
**DIFFUSER:** Hand blown white triplex glass.  
**CERTIFIED:** c-CSA-us