

NANO 4033

PROJECT PROJET

SPEC TYPE

NOTES



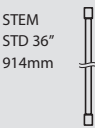
OVERALL HEIGHT HAUTEUR HORS TOUT

LIGHT SOURCE	LED TRACK 1 CIRCUIT	LED *	LED DIM * -8W 277V *
MOUNTING	2734E	2401C	2403G
STEM 4021	42.70"	40.20"	41.20"
STEM 4033 FOR 2021/2033 ADD 1.60" FOR SWIVEL	45.96"	43.46"	44.46"
*FOR NO STEM / STEM ≤ 12IN- CANOPY 2401C + ACCESSORY 3983			

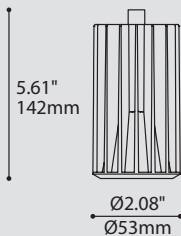
MOUNTING OPTIONS OPTIONS DE MONTAGE

2734E	2401C	2403G
6.15" x 2.00" 156 x 51mm	Ø4.50" x 0.50" Ø114 x 13mm	Ø4.50" x 1.75" Ø114 x 44mm
* OVERALL HEIGHT DOES NOT INCLUDE TRACK THICKNESS		

STEM OR CABLE OPTIONS OPTIONS DE TIGE OU CABLE



4033



ORDERING SPECIFICATION SPÉCIFICATION DE COMMANDE

CODE

MODEL MODÈLE	4033
4033	NANO (PENDANT)
LIGHT SOURCE SOURCE LUMINEUSE	
(WATTAGE, LAMP TYPE, OTHER INFO)	
LED.4	4W, LED
COLOR TEMPERATURE TEMPÉRATURE DE COULEUR	
27	2700K
30	3000K
35	3500K
40*	4000K
*LONGER LEAD TIME MAY APPLY, PLEASE CONTACT YOUR EUREKA REPRESENTATIVE	
COLOR RENDERING INDEX (CRI) INDICE DE RENDU DE COULEUR (IRC)	90
90	90+ CRI
ANGLE BEAM ANGLE DE FAISCEAU	
17	17°
48	48°
VOLTAGE VOLTAGE	
120V	120 VOLT
277V*	277 VOLT
*NOT AVAILABLE WITH A TRACK ADAPTOR	
DIMMING OPTION OPTION DE GRADATION	
DV*	0-10V DIMMING (120-277V)
DP	PHASE DIMMING (120V ONLY)
*NOT AVAILABLE WITH A TRACK ADAPTOR	
STEM TIGE	
S6	1/4" (6MM) STEM, FIELD ADJUSTABLE
STEM LENGTH LONGUEUR DE TIGE	
36	36" STEM (STD LENGTH)
**	CUSTOM STEM LENGTH (PLEASE SPECIFY)*
FOR OVERALL LENGTH PLEASE CONTACT YOUR EUREKA REPRESENTATIVE.	
*3983 ACCESSORY PROVIDED FOR STEM ≤ 12", EXCEPT LED 8W 120V NON-DIMMING	

MOUNTING MONTAGE

RC*	ROUND CANOPY / PAVILLON ROND
	FOR LED NON-DIMMING & STEM ≤ 12": 0.50" CANOPY (2401C)
	FOR DIMMING LED & 8W 277V: 1.75" CANOPY (2403G)
	*CANOPY FINISH ALWAYS CHROME
TA1	TRACK ADAPTOR / ADAPTATEUR DE RAIL*
	1 CIRCUIT
	LED DIMMING & NON-DIMMING 120V ADAPTOR (2734E)

MOUNTING OPTION OPTION DE MONTAGE

SCA*	SLOPE CEILING ADAPTOR / ADAPTATEUR DE PLAFOND EN PENTE (ROTATION: 350°, PIVOT: 90°)
	*ONLY AVAILABLE WITH A STEM

TRACK ADAPTOR FINISH FINI ADAPTATEUR DE RAIL (A)

WH	WHITE
BLK	BLACK
(A) FILL IN IF A TRACK ADAPTOR IS SELECTED, OTHERWISE LEAVE EMPTY	

STRUCTURE FINISH FINI STRUCTURE

CHR	CHROME	CHR
-----	--------	-----

HEATSINK FINISH FINI RADIATEUR

BLKA	BLACK ANODIZED	BLKA
------	----------------	------

ACCESSORY ACCESSOIRE

3983	DEEP JUNCTION BOX (PROVIDED FOR STEM ≤ 12" AS PER ABOVE)
------	--

PRODUCT CHARACTERISTICS CARACTÉRISTIQUES DU PRODUIT



DESIGN:	Nano and his little brother, Pico, pack a big punch in tiny formats. Their industrial look with visible heat sink allows for an impressive LED performance.
LIGHT SOURCE:	4W and 8W LED with 0-10V (DV) or phase (DP) dimming versions available.
STRUCTURE:	Die-cast aluminum heat sink with black satin anodized finish and inner die-formed steel parts with black polyester powder finish.
CERTIFIED:	c-CSA-us, c-UL-us

ANATOMY

BIM

DIM

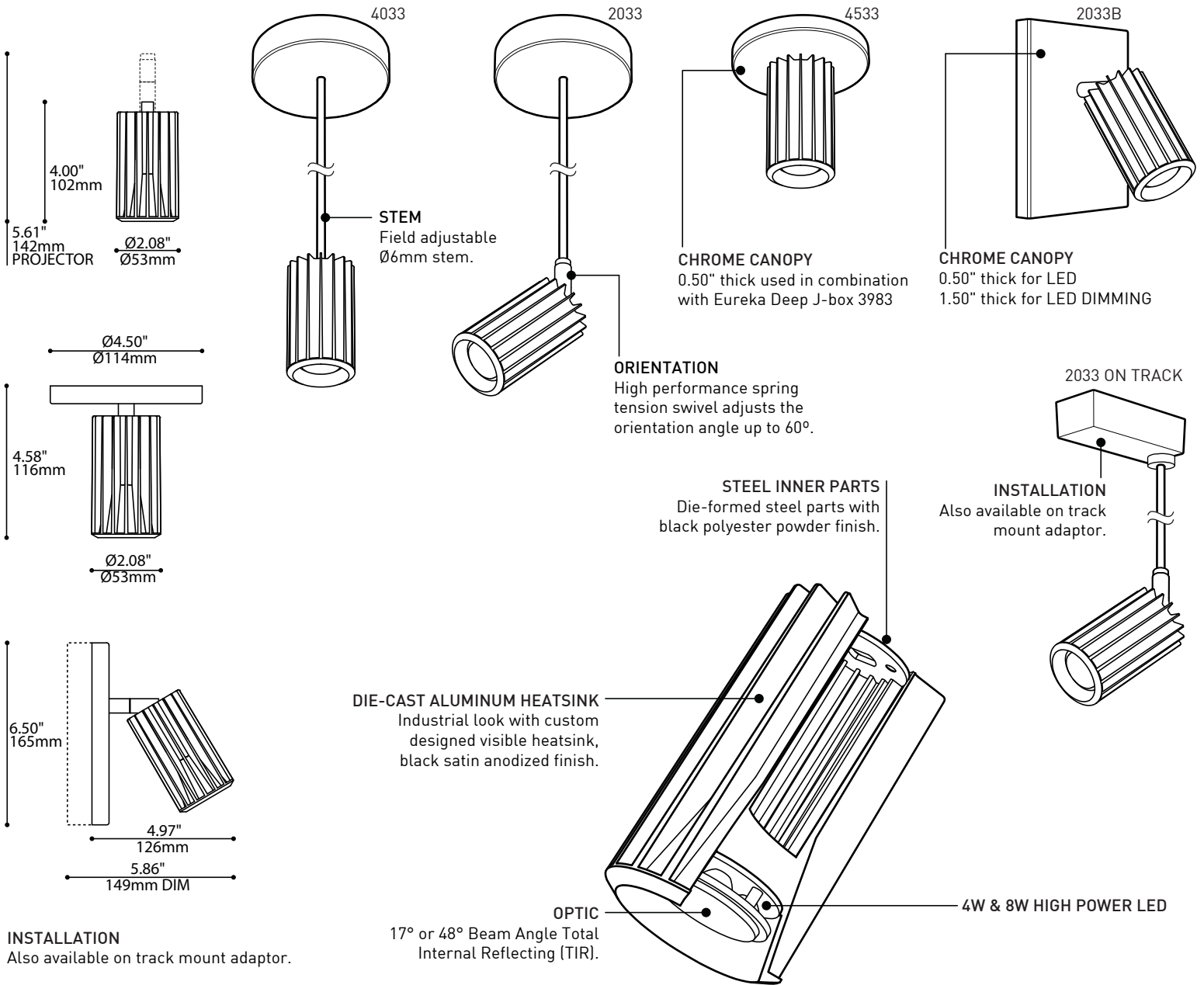
IES

LED

2033
2033B
350°

2033
2033B
60°

NANO



SPECIFICATIONS

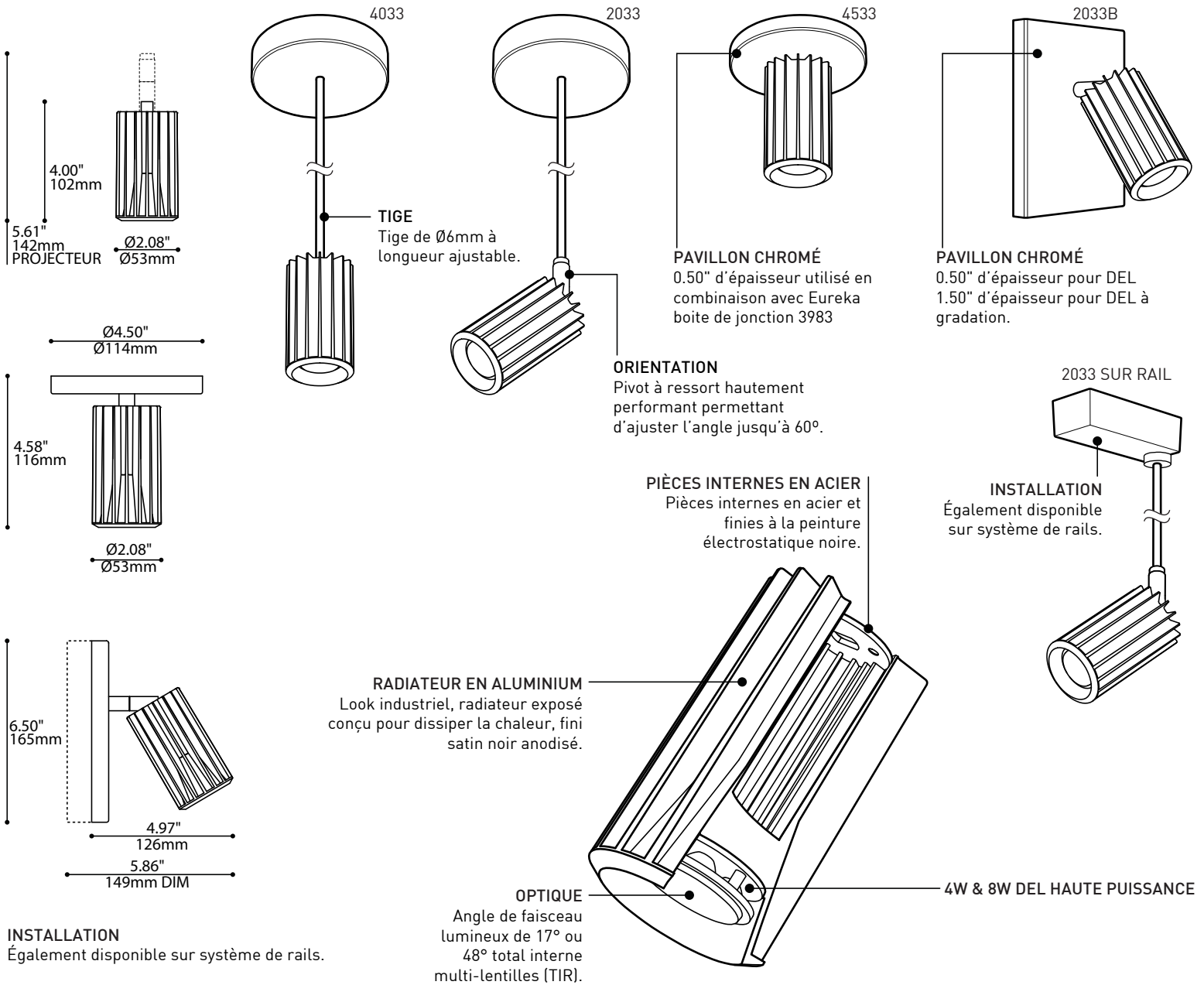
	4W LED	8W LED
LIGHT SOURCE	4x1W Nichia - System Wattage 4.8W Total	4x2W Nichia - System Wattage 9.9W Total
DELIVERED LUMENS	541 lm	1003lm
CRI	80 CRI (typical)	
CCT	3-step MacAdam Ellipse binning	
HEATSINK	Black anodized aluminum	
LIGHT DISTRIBUTION	Directional projector (2033/2033B) or Direct (4033/4533)	
OPTICS	Total Internal Reflection (TIR) of 17° & 48° beam angle	
VOLTAGE	120V (DP) and 120-277V (DV)	
DRIVER	Constant Current driver 350mA, UL Recognized	Constant Current driver 700mA, UL Recognized
DIMMING	Phase Dimming (DP) and 0-10V Dimming (DV)	
LM-79	On request	On request
WARRANTY	5 years	



225 de Liège Ouest, Suite #200
Montréal (QC), Canada H2P 1H4
Tel : 514.385.3515 Fax : 514.385.4169
www.eurekalighting.com



2033 4033
2033B 4533



SPECIFICATIONS

	4W DEL	8W DEL
SOURCE LUMINEUSE	4x Nichia - Puissance totale de 4.8 W	4x Nichia - Puissance totale de 9.9W
LUMENS RÉELS	541 lm	1003 lm
IRC	80 CRI (typical)	
CCT	3-step MacAdam Ellipse binning	
RADIATEUR	Aluminium anodisé noir	
DISTRIBUTION LUMINEUSE	Projecteur directionnel (2033/2033B) ou Direct (4033/4533)	
OPTICS	Angle de faisceau de 17° & 48° Réflexion totale interne (TIR)	
VOLTAGE	120V (DP) et 120-277V (DV)	
PILOTE	Courant Constant 350mA, Reconnu UL	Courant Constant 700mA, Reconnu UL
GRADATION	DP "phase dimming" et DV "0-10V dimming"	
LM-79	Sur demande	Sur demande
GARANTIE	5 ans	