

# ALVER 4020-MCC

PROJECT PROJET

SPEC TYPE

NOTES



## OVERALL HEIGHT HAUTEUR HORS TOUT

LIGHT SOURCE	INC TRACK 1 CIRCUIT	LED TRACK 1 CIRCUIT	LED*	INC-LED*	LED DIM*
MOUNTING	2734B	2734E	2401C	2401E	2403G
STEM	42.47"	44.18"	42.73"	43.23"	43.98"
CABLE	65.20"	66.90"	65.45"	65.95"	66.70"

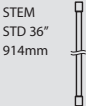
FOR 2020 ADD 1.88" (FOR SWIVEL)  
\*FOR LED & NO STEM / STEM ≤ 12IN - CANOPY 2401C + ACCESSORY 3983

## MOUNTING OPTIONS OPTIONS DE MONTAGE

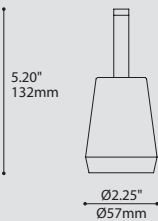
2734B	2734E	2401C	2401E	2403G
1.46" x 1.36" 37 x 35mm	6.15" x 2.00" 156 x 51mm	Ø4.50" x 0.50" Ø114 x 13mm	Ø4.50" x 1.00" Ø114 x 25mm	Ø4.50" x 1.75" Ø114 x 44mm

\* OVERALL HEIGHT DOES NOT INCLUDE TRACK THICKNESS

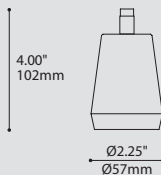
## STEM OPTIONS OPTIONS DE TIGE



### 4020-CABLE



### 4020-STEM



## ORDERING SPECIFICATION SPÉCIFICATION DE COMMANDE

CODE

### MODEL MODÈLE

4020-MCC ALVER (SUSPENDED)

4020-MCC

### LIGHT SOURCE SOURCE LUMINEUSE

(WATTAGE, LAMP TYPE, OTHER INFO)

INC.60 60W, INC, A19 / B10 / G30 / HAL T10, MEDIUM BASE (120V ONLY)

LED.4 4W, LED

### COLOR TEMPERATURE TEMPÉRATURE DE COULEUR

FOR LED ONLY

27 2700K

30 3000K

35 3500K

40\* 4000K

\*LONGER LEAD TIME MAY APPLY, PLEASE CONTACT YOUR EUREKA REPRESENTATIVE

### COLOR RENDERING INDEX (CRI) INDICE DE RENDU DE COULEUR (IRC)

90 90+ CRI

FOR LED ONLY-MANDATORY

### ANGLE BEAM ANGLE DE FAISCEAU

FOR LED ONLY

17 17°

48 48°

### VOLTAGE VOLTAGE

120V 120 VOLT

277V\* 277 VOLT

\*NOT AVAILABLE WITH A TRACK ADAPTOR

### DIMMING OPTION OPTION DE GRADATION

FOR LED ONLY

DV\* 0-10V DIMMING (120-277V)

DP PHASE DIMMING (120V ONLY)

\*NOT AVAILABLE WITH A TRACK ADAPTOR

### STEM OR CABLE TIGE OU CABLE

S6 1/4" (6MM) STEM, FIELD ADJUSTABLE

C CLEAR CABLE, FIELD ADJUSTABLE

### STEM OR CABLE LENGTH LONGUEUR DE TIGE OU CABLE

36 36" STEM (STD LENGTH)

60 60" CABLE (STD LENGTH)

\*\* CUSTOM STEM LENGTH (PLEASE SPECIFY)\*

\*\* CUSTOM CABLE LENGTH (PLEASE SPECIFY)\*

FOR OVERALL LENGTH PLEASE CONTACT YOUR EUREKA REPRESENTATIVE.

\*3983 ACCESSORY PROVIDED FOR LED WITH STEM OR CABLE ≤ 12"

### MOUNTING MONTAGE

RC



ROUND CANOPY / PAVILLON ROND

FOR LED & STEM/CABLE ≤ 12": 0.50" CANOPY (2401C)

FOR INC & LED: 1.00" CANOPY (2401E)

FOR DIMMING LED: 1.75" CANOPY (2403G)

TA1



TRACK ADAPTOR / ADAPTEUR DE RAIL

1 CIRCUIT

INC 120V ADAPTOR (2734B)

LED DIMMING & NON-DIMMING 120V ADAPTOR (2734E)

### MOUNTING OPTION OPTION DE MONTAGE

SCA\*

SLOPE CEILING ADAPTOR / ADAPTEUR DE PLAFOND EN PENTE (ROTATION: 350°, PIVOT: 90°)

\*ONLY AVAILABLE WITH A STEM

### TRACK ADAPTOR FINISH FINI ADAPTEUR DE RAIL<sup>(A)</sup>

WH WHITE

BLK BLACK

M G METALLIC GRAY (2734B ONLY)

<sup>(A)</sup>FILL IN IF A TRACK ADAPTOR IS SELECTED, OTHERWISE LEAVE EMPTY

### STRUCTURE FINISH FINI STRUCTURE

BLK BLACK

CHR CHROME

### CUP FINISH FINI COUPE

BLK BLACK

CHR CHROME

### ACCESSORY ACCESSOIRE

3983 DEEP JUNCTION BOX (PROVIDED FOR LED WITH STEM ≤ 12" AS PER ABOVE)

## PRODUCT CHARACTERISTICS CARACTÉRISTIQUES DU PRODUIT

**BIM** **DIM** **IES** **LED**

FOR LED ONLY

# ANATOMY

BIM

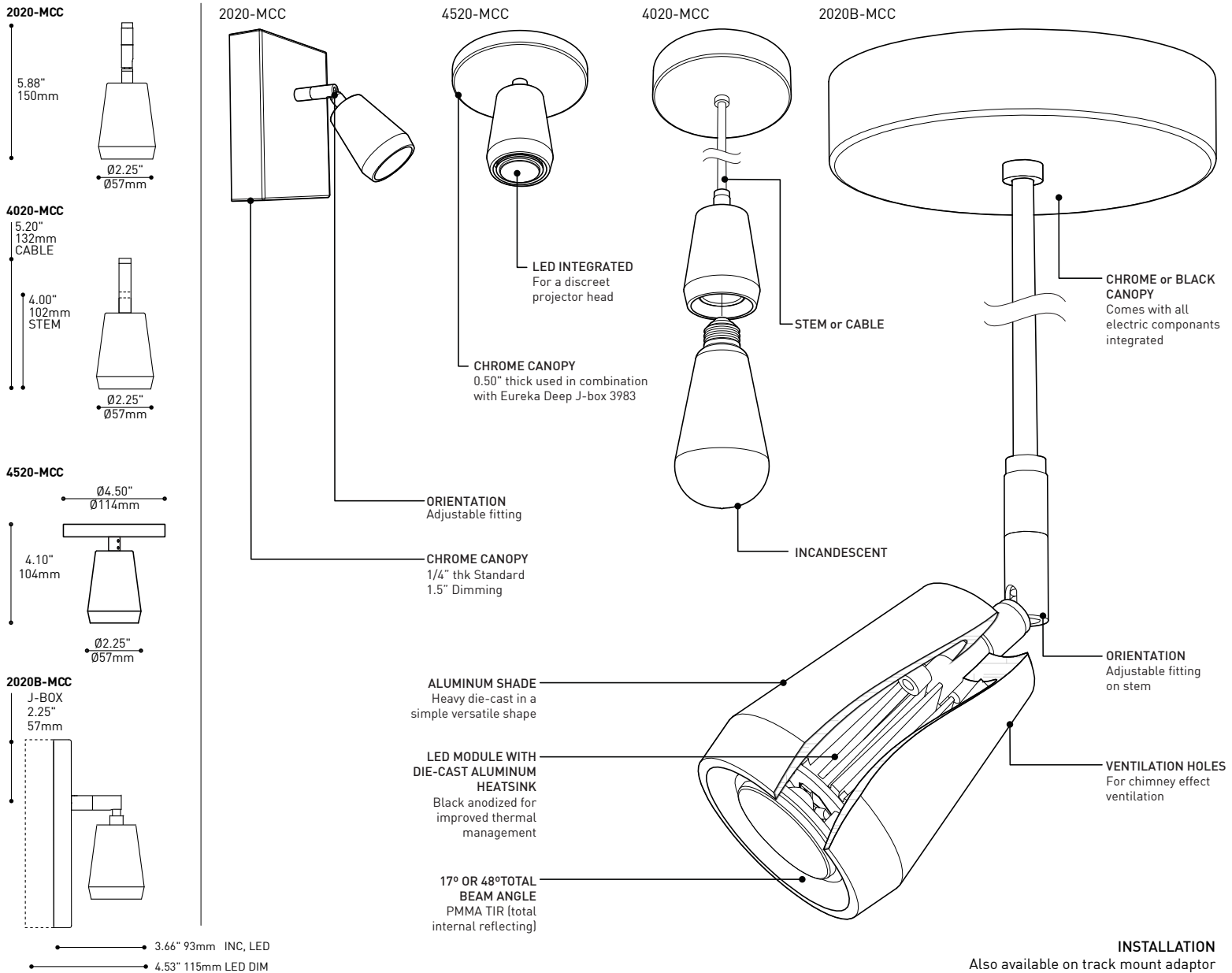
DIM

IES

LED



ALVER



**INSTALLATION**

Also available on track mount adaptor

## SPECIFICATIONS

**LIGHT SOURCE**

**MODULE**

**DELIVERED LUMENS**

**CRI**

**HOUSING**

**HEATSINK**

**LIGHT DISTRIBUTION**

**OPTICS**

**VOLTAGE**

**DRIVER**

**DIMMING**

**LM-79**

**WARRANTY**

**CERTIFICATION**

**LED**

4 x high powered LEDs on MCPCB - total ±4 w

UL recognized - made in USA

330 lm - 350 lm (4000K)

80 CRI (typical)

Die-cast aluminum

Black anodized aluminium

Directional projector (2020[B])/Direct (4020)

Total Internal Reflection (TIR) of 17° & 48 ° beam angle

120V (DP) or 120-277V (DV or non-dimming)

Constant Current driver 350 mA, UL Recognized

Phase Dimming (DP) and 0-10V Dimming (DV)

On request

5 years (on electronic components)

CSA recognized

**INCANDESCENT**

Inc Medium Base - 60W

N/A

N/A

N/A

N/A

N/A

N/A

N/A

120V

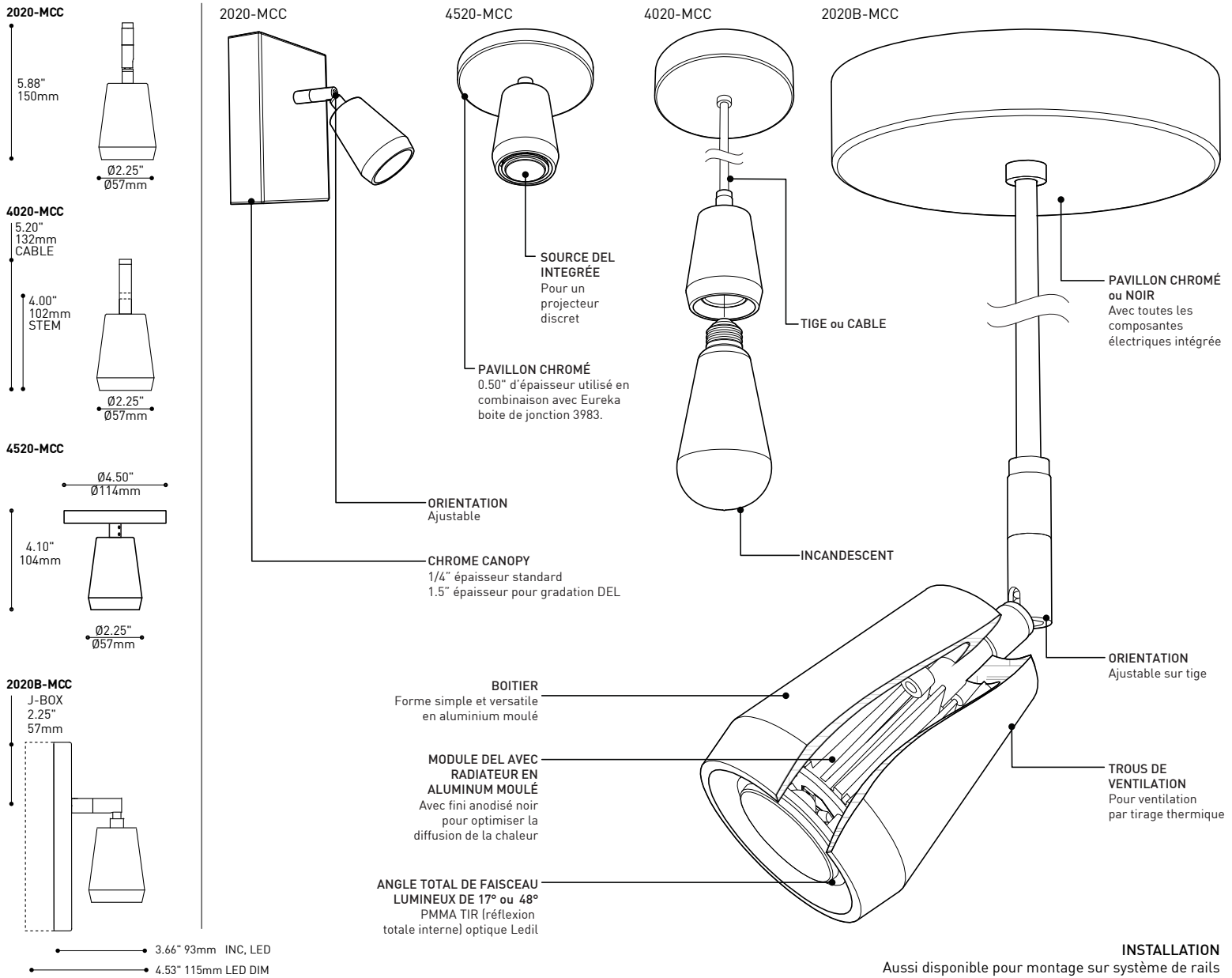
Dimmable



225 de Liège Ouest, Suite #200  
Montréal (QC), Canada H2P 1H4  
Tel : 514.385.3515 Fax : 514.385.4169  
[www.eurekalighting.com](http://www.eurekalighting.com)



**2020-MCC** **4020-MCC**  
**2020B-MCC** **4520-MCC**



## SPÉCIFICATIONS

	LED	INCANDESCENT
LIGHT SOURCE	4 x DEL haute performance sur MCPCB - total ±4 w	Inc Base moyenne - 60W
MODULE	Reconnue par UL - Fabriqué aux États-Unis	N/A
LUMENS RÉELS	330 lm - 350 lm (4000K)	N/A
IRC	80 CRI (typique)	N/A
BOITIER	Aluminium moulé	
RADIATEUR	Aluminium anodisé noir	N/A
DISTRIBUTION LUMINEUSE	Projecteur directionnel (2020(B))/Direct (4020)	
OPTIQUE	LEDIL TIR - angle total de faisceau de 17° & 48°	N/A
VOLTAGE	120V (DP) ou 120-277V (DV ou non gradable)	120V
PILOTE	Pilote 350 mA à courant constant 350 mA, UL Recognized	
GRADATION	Gradation par phase (DP) ou de type 0-10V (DV)	Intensité variable
LM-79	Sur demande	
GARANTIE	5 ans (sur les composantes électroniques)	
CERTIFICATION	Reconnu par CSA	