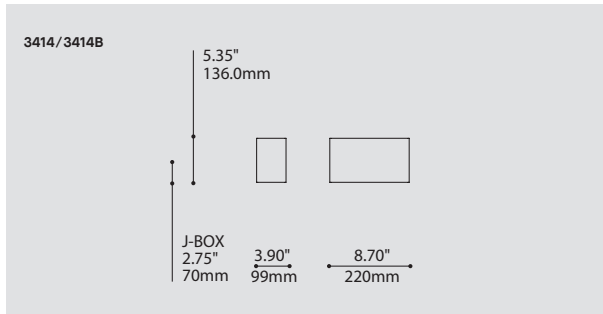


BOX 3414 / 3414B

PROJECT PROJÉT
SPEC TYPE
NOTES

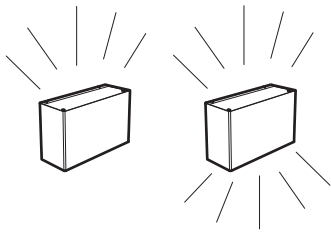


ORDERING SPECIFICATION	SPÉCIFICATION DE COMMANDE	CODE
MODEL MODÈLE		
3414	BOX (INDIRECT)	
3414B	BOX (DIRECT/INDIRECT)	
LIGHT SOURCE SOURCE LUMINEUSE		
(WATTAGE, LAMP TYPE, LAMP FORM, BASE TYPE, OTHER INFO)		
3414		
LED	REGULAR OUTPUT	
LED.HO	HIGH OUTPUT	
3414B		
LED	REGULAR OUTPUT	
LED.HO	HIGH OUTPUT	
COLOR TEMPERATURE TEMPÉRATURE DE COULEUR		
FOR LED ONLY		
30	3000K	
35	3500K	
40	4000K	
VOLTAGE VOLTAGE		
120V	120 VOLT	
277V	277 VOLT	
DIMMING OPTION OPTION DE GRADATION		
AVAILABLE WITH LED ONLY		
DV	0-10V DIMMING (120-277V)	
DP	PHASE DIMMING (120V ONLY)	
LED DIMMING DRIVER IS STANDARD, PLEASE SPECIFY YOUR DIMMING TYPE.		
STRUCTURE FINISH FINI STRUCTURE		SC
SC	SATIN CHROME	
DIFFUSER FINISH FINI DIFFUSEUR		FRO
FRO	FROSTED	

PRODUCT CHARACTERISTICS CARACTÉRISTIQUES DU PRODUIT

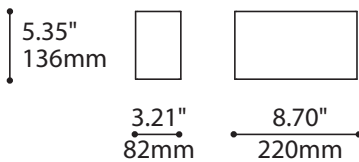
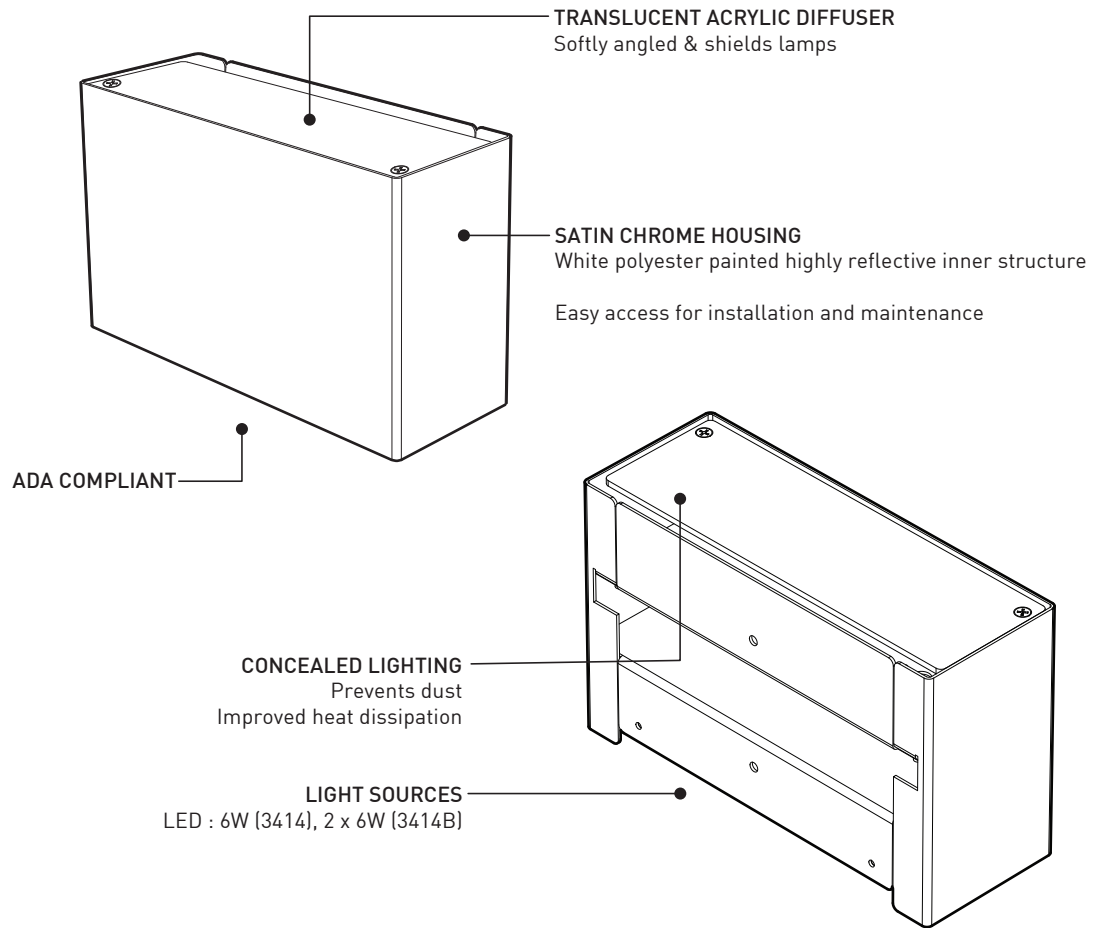


DESIGN:	Minimal box design, this ADA compliant wall sconce provide a punch and is perfectly proportioned.
LIGHT SOURCE:	Indirect only (3414) either 6W LED in 3000K (Warm white), 3500K (Natural white) or 4000K (Neutral white) direct/indirect (3414B) either 2 x 6W LED in 3000K (Warm white), 3500K (Natural white) or 4000K (Neutral white) .
STRUCTURE:	Die-formed satin chromed housing with white polyester powder painted inner structure.
DIFFUSER:	Translucent frosted acrylic.
CERTIFIED:	c-CSA-us
CONCEPTION:	Conforme à la norme ADA. Boîte minimaliste parfaitement proportionnée qui a de l'impact.
SOURCE LUMINEUSE:	Indirect seulement (3414) pour DEL 6W en 3000K (blanc chaud), 3500K (blanc naturel) ou 4000K (blanc neutre) ; direct/ indirect (3414B) DEL 2 x 6W en 3000K (blanc chaud), 3500K (blanc naturel) ou 4000K (blanc neutre).
STRUCTURE:	Boîtier d'acier découpé et plié avec placage chrome satiné. Structure intérieure peinte avec peinture électrostatique à base de polyester blanche.
DIFFUSEUR:	Acrylique translucide givré.
CERTIFIÉ:	c-CSA-us



3414
INDIRECT

3414B
DIRECT-INDIRECT



SPECIFICATIONS

LIGHT SOURCE	1 x 6W (3414) / 2 x 6W (3414B) Luxeon Rebel
MODULE	UL recognized - made in USA
LUMENS (ESTIMATED)	1 x 6W (3414): 510 lm / 2 x 6W (3414B): 1020 lm
CRI	85 CRI (typical)
ROHS	Compliant
HOUSING	Die-formed satin chromed steel
HEATSINK	Aluminium
LIGHT DISTRIBUTION	Indirect / Direct-Indirect
DIFFUSER	Translucent acrylic
VOLTAGE	120 or 277V
DRIVER / BALLAST	Hatch 700 mA
DIMMING	Phase dimming (DP) or 0-10V dimming (DV)
EMERGENCY	
LM-79	On request
WARRANTY	5 years

LED

1 x 6W (3414) / 2 x 6W (3414B) Luxeon Rebel
 UL recognized - made in USA
 1 x 6W (3414): 510 lm / 2 x 6W (3414B): 1020 lm
 85 CRI (typical)
 Compliant
 Die-formed satin chromed steel
 Aluminium
 Indirect / Direct-Indirect
 Translucent acrylic
 120 or 277V
 Hatch 700 mA
 Phase dimming (DP) or 0-10V dimming (DV)

On request

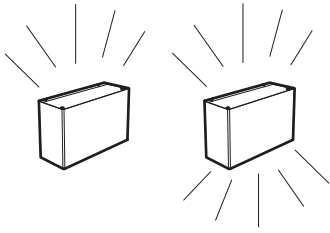
5 years



225 de Liège Ouest, Suite #200
 Montréal (QC), Canada H2P 1H4
 Tel : 514.385.3515 Fax : 514.385.4169
www.eurekalighting.com

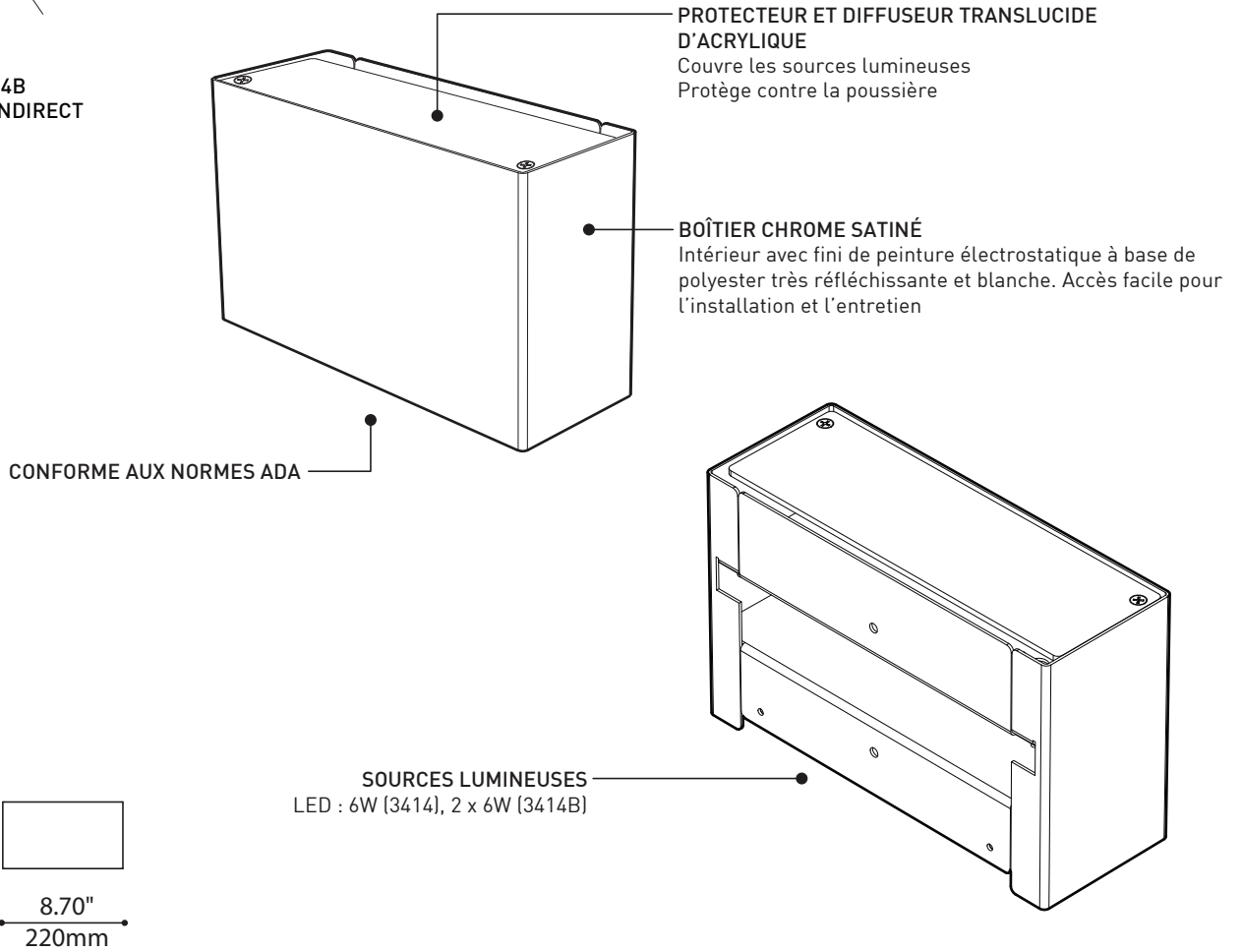


3414
3414B



3414
INDIRECT

3414B
DIRECT-INDIRECT



SPÉCIFICATIONS

SOURCE LUMINEUSE
MODULE
LUMENS (ESTIMÉS)
IRC
ROHS
BOÎTIER
RADIATEUR
DISTRIBUTION LUMINEUSE
DIFFUSEUR
VOLTAGE
PILOTE / BALLAST
GRADATION
URGENCE
LM-79
GARANTIE

DEL

1 x 6W (3414) / 2 x 6W (3414B) Luxeon Rebel
Reconnu par UL - Fabriqué aux États-Unis
1 x 6W (3414): 510 lm / 2 x 6W (3414B): 1020 lm
85 IRC (typique)
Conforme
Acier embouti avec fini chrome satiné
Aluminium
Indirect / Direct-Indirect
Acrylique translucide
120V ou 277V
Hatch 700 mA
Gradation phase (DP) ou Gradation 0-10V (DV)
Sur demande
5 ans



225 de Liège Ouest, Suite #200
Montréal (QC), Canada H2P 1H4
Tel : 514.385.3515 Fax : 514.385.4169
www.eurekalighting.com



3414
3414B