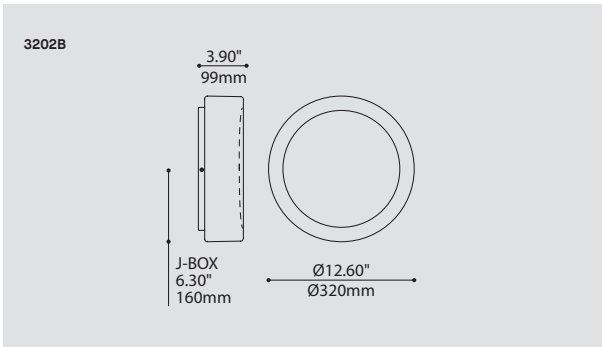
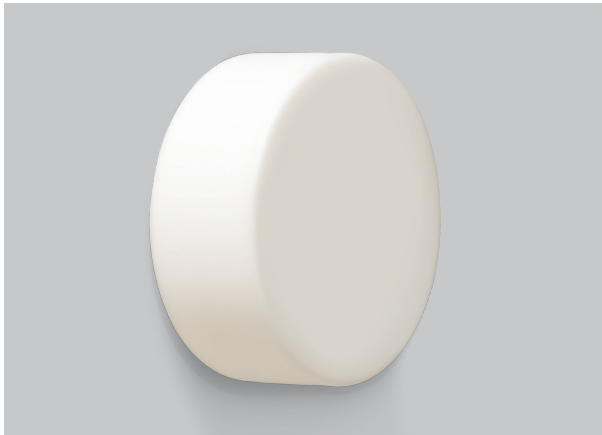


HELIOS 3202B

PROJECT PROJET

SPEC TYPE

NOTES



ORDERING SPECIFICATION SPÉCIFICATION DE COMMANDE

CODE


MODEL MODÈLE


3202B HELIOS

3202B

LIGHT SOURCE SOURCE LUMINEUSE

(WATTAGE, LAMP TYPE, LAMP FORM, BASE TYPE, OTHER INFO)

CF.D.26  26W, CFL, DOUBLE / TRIPLE TWIN TUBE, G24Q3 BASE

F.T5.C.22  22W, FLUO, CIRCULAR T5, 2GX13 BASE

LED.10  10W, LED

COLOR TEMPERATURE TEMPÉRATURE DE COULEUR

FOR LED ONLY

30 3000K

35 3500K

40 4000K

VOLTAGE VOLTAGE

120V 120 VOLT

277V 277 VOLT

347V* 347 VOLT

*ONLY AVAILABLE WITH CF.D.26, F.T5.C.22, (NON-DIMMING BALLAST)

DIMMING OPTION OPTION DE GRADATION

AVAILABLE WITH CF.D.26 ONLY

DM1 ADVANCE MARK 10 ELECTRONIC DIMMING BALLAST*

DM7 ADVANCE MARK 7 ELECTRONIC DIMMING BALLAST*

DED LUTRON ECOSYSTEM ELECTRONIC DIMMING BALLAST (ECOSYSTEM DIGITAL LINK WIRING)*

DE3 LUTRON ECOSYSTEM ELECTRONIC DIMMING BALLAST (3-WIRE WIRING)*

AVAILABLE WITH LED ONLY

DV 0-10V DIMMING (120-277V)*

DP PHASE DIMMING (120V ONLY)*

LED DIMMING DRIVER IS STANDARD IN THIS PRODUCT, PLEASE SPECIFY YOUR DIMMING TYPE.

DIFFUSER FINISH FINI DIFFUSEUR

WH WHITE

WH

PRODUCT CHARACTERISTICS CARACTÉRISTIQUES DU PRODUIT

ADA BIM DIM IES LED

DESIGN: Round bright shade design with concave front surface. ADA compliant.

LIGHT SOURCE: Wide range of energy saving compact fluorescent and LED light sources available.

STRUCTURE: Die-stamped steel structure with highly reflective and diffused white paint finish.

DIFFUSER: Hand blown white triplex glass.

CERTIFIED: c-CSA-us, c-UL-us

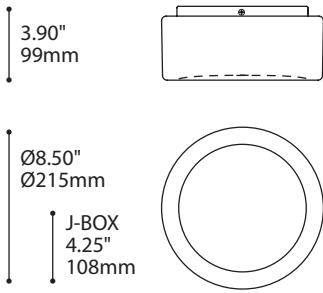
CONCEPTION: Verre rond et brillant avec façade concave. Conforme à la norme ADA.

SOURCE LUMINEUSE: Plusieurs sources fluorescentes et DEL à faible consommation offertes.

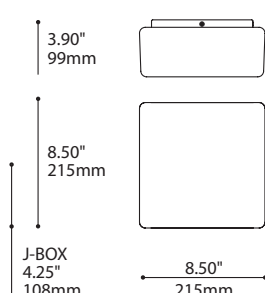
STRUCTURE: Structure d'acier embouti avec fini blanc très réfléchissant et diffusant.

DIFFUSEUR: Verre triplex blanc soufflé à la main.

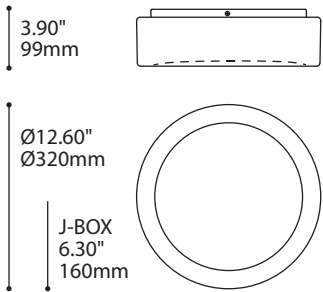
CERTIFIÉ: c-CSA-us, c-UL-us



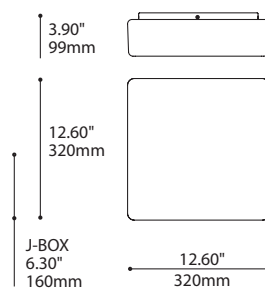
3202 (LED NOT AVAILABLE)



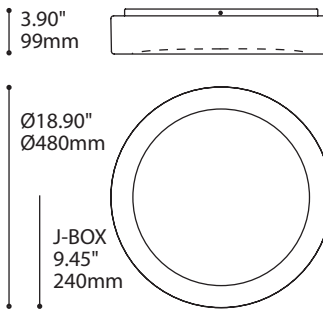
3203 (LED NOT AVAILABLE)



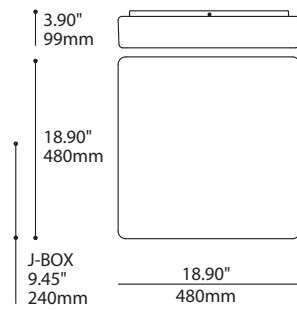
3202B



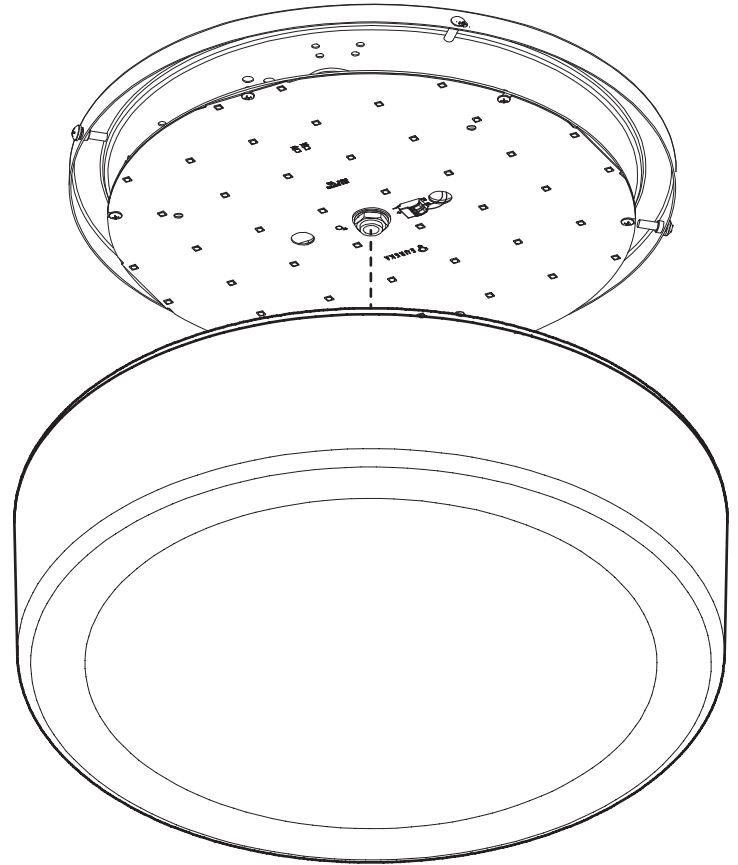
3203B



3202C



3203C



SPECIFICATIONS

3202 | 3203

3202B | 3203B

3202C | 3203C

LIGHT SOURCES

CF.D.13
CF.SP.13
G9.60

CF.D.26
2XCF.SP.13
F.T5.C.22
LED.10.30
LED.10.40

2CF.D.26
3XCF.SP.13
F.T5.C.2240
F.T5.C.2240-2C
F.T5.C.40
LED.24.30
LED.24.40

DELIVERED LUMENS

LED 1364lm

LED 2921lm

DIMMING OPTIONS

DV 0-10V (120-277V), DP PHASE DIMMING (120V), DM1, DM7, DED, DE3

VOLTAGE

120V, 277V, 347V (347 only with CF.D.13, CF.D.26, F.T5.C.22, F.T5.C.2240, F.T5.C.2240-2C & F.T5.C.40 [non dimming ballast])

STRUCTURE

Die-stamped steel structure with highly reflective and diffused white paint finish.

DIFFUSER

Hand blown white triplex glass

CERTIFICATION

c-CSA-us

WARRANTY

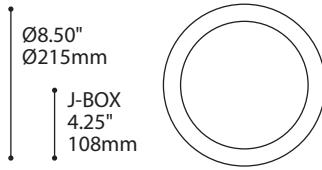
5 year warranty on LED fixtures, 1 year warranty on fluorescent fixtures



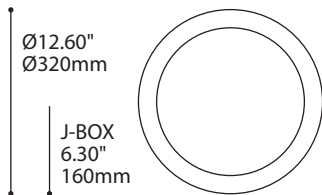
225 de Liège Ouest, Suite #200
Montréal (QC), Canada H2P 1H4
Tel : 514.385.3515 Fax : 514.385.4169
www.eurekalighting.com



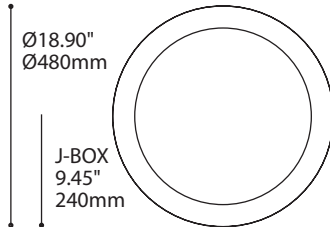
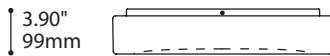
3202
3203



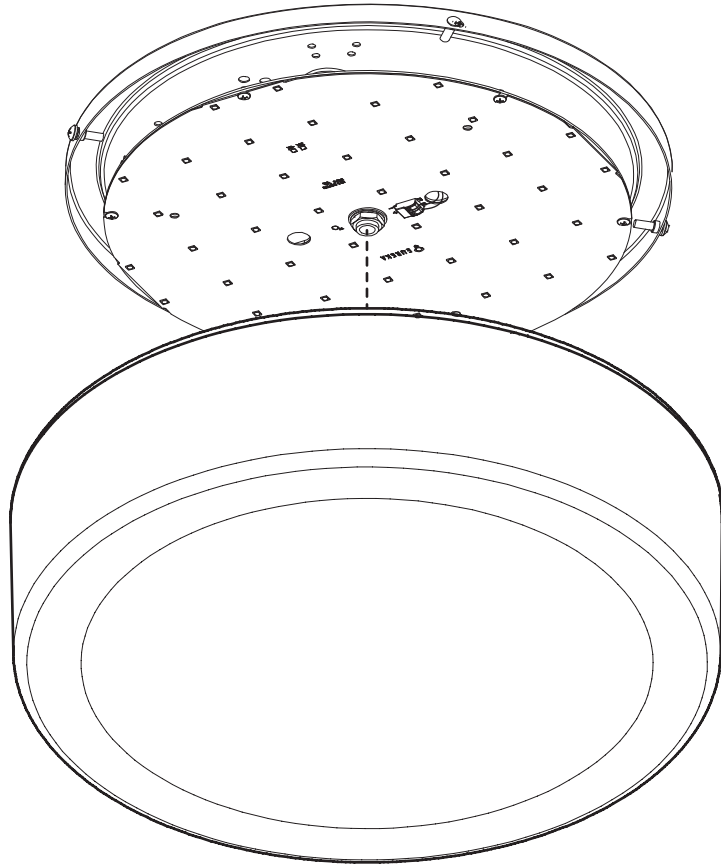
3202 (NON DISPONIBLE EN DEL)



3202B



3202C



SPECIFICATIONS

	3202	3202B	3202C
LIGHT SOURCES SOURCE LUMINEUSE	CF.D.13 G9.60	CF.D.26 F.T5.C.22 LED.10.30 LED.10.40	2CF.D.26 F.T5.C.2240 F.T5.C.2240-2C F.T5.C.40 LED.24.30 LED.24.40
LUMENS LIVREE		LED 1364lm	LED 2921lm
OPTIONS DE GRADATION	DV 0-10V (120-277V), GRADATION DP PHASE (120V), DM1, DM7, DED, DE3		
VOLTAGE	120V, 277V, 347V (347 seulement avec CF.D.13, CF.D.26, F.T5.C.22, F.T5.C.2240, F.T5.C.2240-2C & F.T5.C.40 [sans gradation])		
STRUCTURE	Structure en acier formé, fini à la peinture électrostatique blanc hautement réfléchissant.		
DIFFUSEUR	Verre soufflé triplex blanc		
CERTIFICATION	c-CSA-us		
GARANTIE	Garantie de 5 ans sur le luminaire en DEL, Garantie de 1 an sur les luminaires en fluorescent		