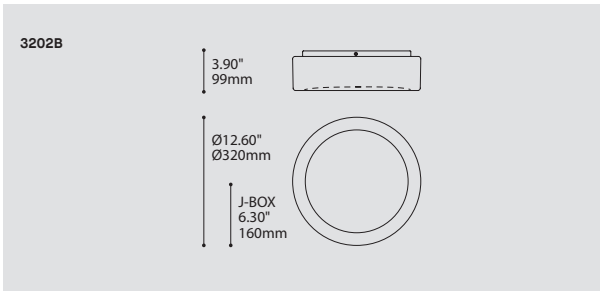


HELIOS 3202B

PROJECT PROJET
SPEC TYPE
NOTES



ORDERING SPECIFICATION SPÉCIFICATION DE COMMANDE

MODEL MODÈLE	3202B
--------------	-------

LIGHT SOURCE SOURCE LUMINEUSE	
-------------------------------	--

(WATTAGE, LAMP TYPE, LAMP FORM, BASE TYPE, OTHER INFO)

CF.D.26		26W, CFL, DOUBLE / TRIPLE TWIN TUBE, G24Q3 BASE
F.T5.C.22		22W, FLUO, CIRCULAR T5, 2GX13 BASE
LED.10		10W, LED

COLOR TEMPERATURE TEMPÉRATURE DE COULEUR

FOR LED ONLY

30	3000K
35	3500K
40	4000K

VOLTAGE VOLTAGE

120V	120 VOLT
277V	277 VOLT
347V*	347 VOLT

*ONLY AVAILABLE WITH CF.D.26, F.T5.C.22 (NON-DIMMING BALLAST)

DIMMING OPTION OPTION DE GRADATION

AVAILABLE WITH CF.D.26 ONLY

DM1	ADVANCE MARK 10 ELECTRONIC DIMMING BALLAST
DM7	ADVANCE MARK 7 ELECTRONIC DIMMING BALLAST
DED	LUTRON ECOSYSTEM ELECTRONIC DIMMING BALLAST (ECOSYSTEM DIGITAL LINK WIRING)
DE3	LUTRON ECOSYSTEM ELECTRONIC DIMMING BALLAST (3-WIRE WIRING)

AVAILABLE WITH LED ONLY

DV	0-10V DIMMING (120-277V)
DP	PHASE DIMMING (120V ONLY)

LED DIMMING DRIVER IS STANDARD IN THESE PRODUCTS, PLEASE SPECIFY YOUR DIMMING TYPE.

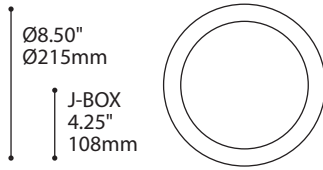
DIFFUSER FINISH FINI DIFFUSEUR

WH	WHITE
----	-------

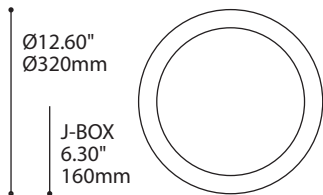
PRODUCT CHARACTERISTICS CARACTÉRISTIQUES DU PRODUIT

- BIM**
- DIM**
- IES**
- LED**

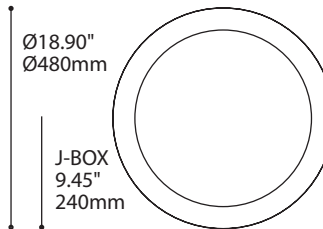
DESIGN:	Round luminous shade design with concave front surface.
LIGHT SOURCE:	Range of energy saving LED and compact fluorescent light sources available.
STRUCTURE:	Die-stamped steel structure with highly reflective and diffused white paint finish.
DIFFUSER:	Hand blown white triplex glass.
CERTIFIED:	c-CSA-us, c-UL-us
CONCEPTION:	Verre rond et lumineux avec façade concave.
SOURCE LUMINEUSE:	Plusieurs sources fluorescentes et DEL à faible consommation offertes.
STRUCTURE:	Structure d'acier embouti avec fini blanc très réfléchissant et diffusant.
DIFFUSEUR:	Verre triplex blanc soufflé à la main.
CERTIFIÉ:	c-CSA-us, c-UL-us



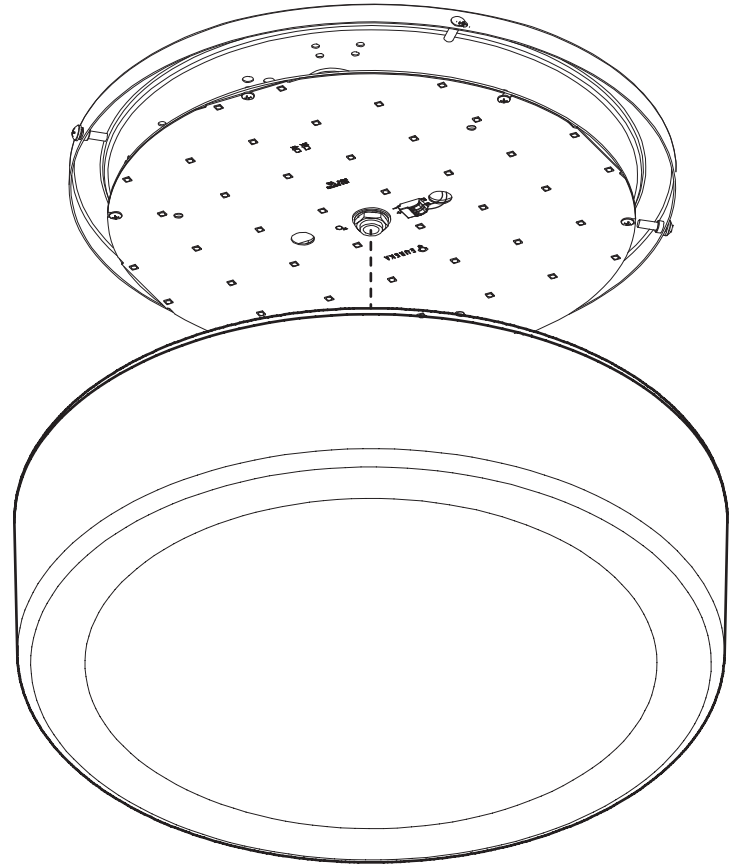
3202 (LED NOT AVAILABLE)



3202B

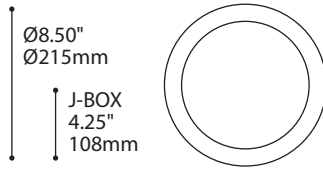


3202C

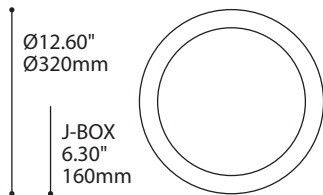


SPECIFICATIONS

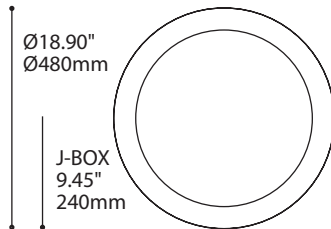
	3202	3202B	3202C
LIGHT SOURCES	CF.D.13 G9.60	CF.D.26 F.T5.C.22 LED.10.30 LED.10.40	2CF.D.26 F.T5.C.2240 F.T5.C.2240-2C F.T5.C.40 LED.24.30 LED.24.40
DELIVERED LUMENS		LED 1364lm	LED 2921lm
DIMMING OPTIONS	DV 0-10V (120-277V), DP PHASE DIMMING (120V), DM1, DM7, DED, DE3		
VOLTAGE	120V, 277V, 347V (347 only with CF.D.13, CF.D.26, F.T5.C.22, F.T5.C.2240, F.T5.C.2240-2C & F.T5.C.40 [non dimming ballast])		
STRUCTURE	Die-stamped steel structure with highly reflective and diffused white paint finish.		
DIFFUSER	Hand blown white triplex glass		
CERTIFICATION	c-CSA-us		
WARRANTY	5 year warranty on LED fixtures, 1 year warranty on fluorescent fixtures		



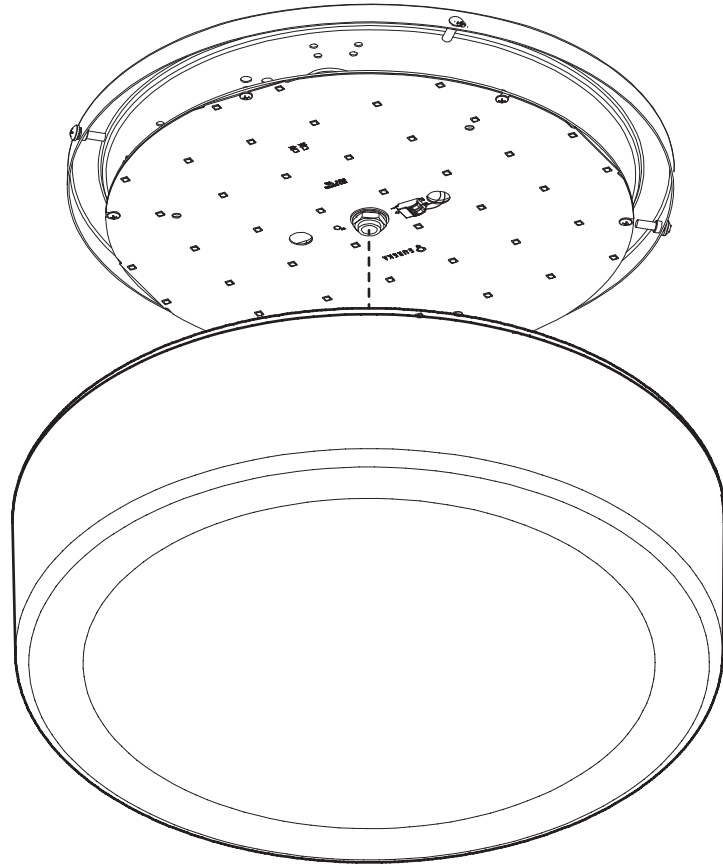
3202 (NON DISPONIBLE EN DEL)



3202B



3202C



SPECIFICATIONS	3202	3202B	3202C
LIGHT SOURCES SOURCE LUMINEUSE	CF.D.13 G9.60	CF.D.26 F.T5.C.22 LED.10.30 LED.10.40	2CF.D.26 F.T5.C.2240 F.T5.C.2240-2C F.T5.C.40 LED.24.30 LED.24.40
LUMENS LIVREE		LED 1364lm	LED 2921lm
OPTIONS DE GRADATION	DV 0-10V (120-277V), GRADATION DP PHASE (120V), DM1, DM7, DED, DE3		
VOLTAGE	120V, 277V, 347V (347 seulement avec CF.D.13, CF.D.26, F.T5.C.22, F.T5.C.2240, F.T5.C.2240-2C & F.T5.C.40 [sans gradation])		
STRUCTURE	Structure en acier formé, fini à la peinture électrostatique blanc hautement réfléchissant.		
DIFFUSEUR	Verre soufflé triplex blanc		
CERTIFICATION	c-CSA-us		
GARANTIE	Garantie de 5 ans sur le luminaire en DEL, Garantie de 1 an sur les luminaires en fluorescent		