

SILENE CLASSIC 3156B-JDJ / JDJA

PROJECT PROJET

SPEC TYPE

NOTES

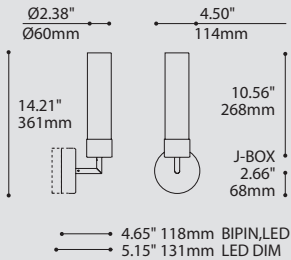


OPTIONS



JDJ-FRO JDJ-WH JDJA-WH (ACRYLIC)

3156B-JDJ/3156B-JDJA



FAMILY FAMILLE



4156B-JDJ/JDJA

ORDERING SPECIFICATION SPÉCIFICATION DE COMMANDE

CODE

MODEL MODÈLE

3156B-JDJ SILENE CLASSIC JDJ
3156B-JDJA SILENE CLASSIC JDJA (CLOSED TOP ACRYLIC DIFFUSER)

LIGHT SOURCE SOURCE LUMINEUSE

(WATTAGE, LAMP TYPE, LAMP FORM, BASE TYPE, OTHER INFO)

3156B-JDJ

BIPIN.50 50W, HAL, BIPIN, GY6.35 BASE
LED.4 4W, LED

3156B-JDJA

LED.4 4W, LED

COLOR TEMPERATURE TEMPÉRATURE DE COULEUR

FOR LED ONLY

27 2700K
30 3000K
35 3500K
40* 4000K

*LONGER LEAD TIME MAY APPLY, PLEASE CONTACT YOUR EUREKA REPRESENTATIVE

COLOR RENDERING INDEX (CRI) INDICE DE RENDU DE COULEUR (IRC)

90 90+ CRI
 FOR LED ONLY- MANDATORY

VOLTAGE VOLTAGE

120V 120 VOLT
277V 277 VOLT

DIMMING OPTION OPTION DE GRADATION

FOR LED ONLY

DV 0-10V DIMMING (120-277V)
DP PHASE DIMMING (120V ONLY)

MOUNTING MONTAGE

RC ROUND CANOPY / PAVILLON ROND
 FOR HAL & LED: 1.00" CANOPY (2401E)
 FOR LED DIMMABLE: 1.75" CANOPY (2403G)

STRUCTURE FINISH FINI STRUCTURE

SC SATIN CHROME
CHR CHROME

DIFFUSER FINISH FINI DIFFUSEUR

3156B-JDJ
WH WHITE
FRO FROSTED

3156B-JDJA
WH WHITE

PRODUCT CHARACTERISTICS CARACTÉRISTIQUES DU PRODUIT



DESIGN: Classic, contemporary sconce with mitred stem and screw mount diffuser.
LIGHT SOURCE: LED and other light sources also available.
STRUCTURE: Die-stamped steel and tubular steel structure with plated finish.
DIFFUSER: Hand blown frosted or white triplex glass (JDJ) or extruded clear ribbed glass (JMJ). Also available with a closed top acrylic shade (JDJA).
CERTIFIED: c-CSA-us

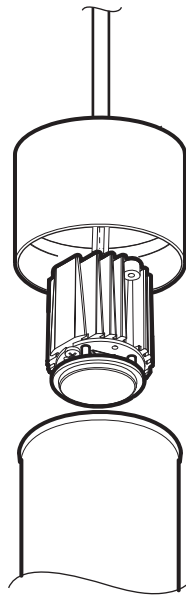
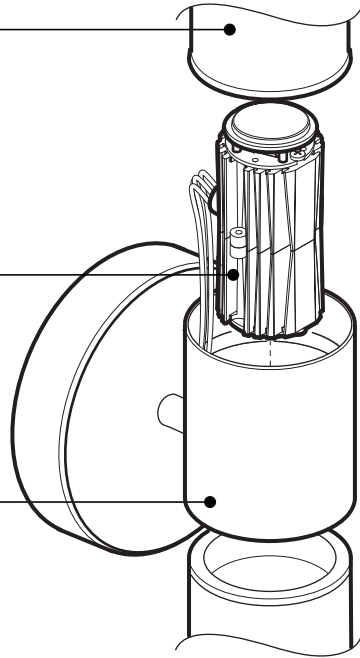
CONCEPTION: Applique cylindrique contemporaine et classique munie d'une tige et d'un filet pour visser le diffuseur.
SOURCE LUMINEUSE: DEL et autres sources offertes.
STRUCTURE: Acier embouti et structure d'acier tubulaire plaqués.
DIFFUSEUR: Verre triplex givré ou blanc soufflé à la main (JDJ) ou extrudé strié clair (JMJ). Aussi offert avec un diffuseur en acrylique au dessus fermé (JDJA).
CERTIFIÉ: c-CSA-us

WALL MOUNT 3155B-JMJ/JDJ/JDJA

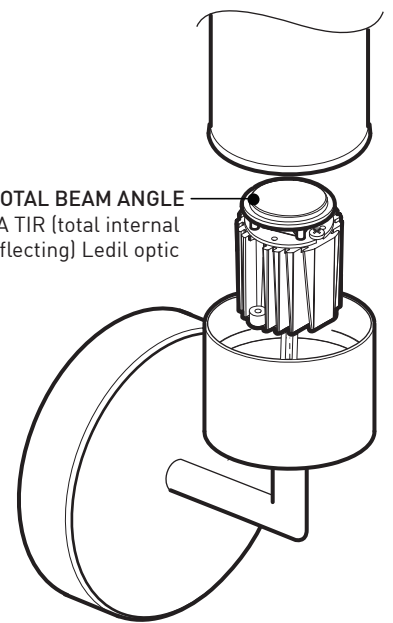
SUSPENSION 4156B-JMJ/JDJ/JDJA

WALL MOUNT 3156B-JMJ/JDJ/JDJA

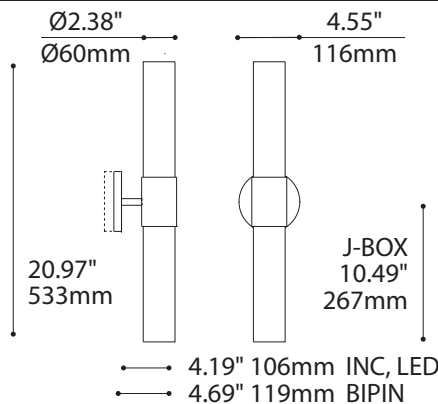
- SCREW MOUNT GLASS
JMJ-CLR
Extruded clear or frosted ribbed glass
- JDJ-WH/FRO
Hand blown white triplex glass
- JDJA-WH
Closed top white acrylic shade
- LED MODULE WITH DIE-CAST ALUMINUM HEATSINK (DOUBLE FOR 3155B)
Black anodized for improved thermal management
- STRUCTURE
Die-stamped steel with plated finish



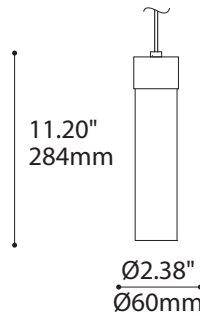
48° TOTAL BEAM ANGLE
PMMA TIR (total internal reflecting) Ledil optic



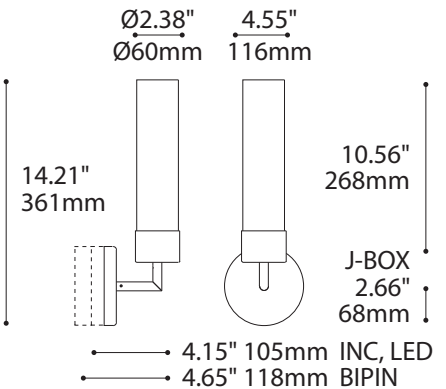
OTHER LIGHT SOURCES AVAILABLE
Halogen (for JDJ/JMJ)
Incandescent (for JDJ/JMJ)



3155B



4156B



3156B

SPECIFICATIONS

LIGHT SOURCE MODULE
LUMENS (DELIVERED)
CRI
ROHS
VOLTAGE
DRIVER
DIMMING
WARRANTY
LM-79 & CERTIFICATION

3155B LED

2 x Nichia - total ± 8 w
UL recognized - made in USA
880 lm (JDJ-WH) / 626 lm (JDJA-WH)
85 CRI (typical)
Compliant
120V - 277V
350 mA
Phase dimming (DP) & 0-10V Dimming (DV)
5 years (on electronic components)
On request & CSA recognized

4156B /3156B LED

1 x Nichia - total ± 4 w
440 lm (JDJ-WH) / 312 lm (JDJA-WH)

SPECIFICATIONS

LIGHT SOURCE
VOLTAGE

Halogen (for JDJ/JMJ)

Bipin 50 w (x 2 for 3155B)
120V-277V

Incandescent (for JDJ/JMJ)

B10/T10 100 w (x 2 for 3155B)
120V

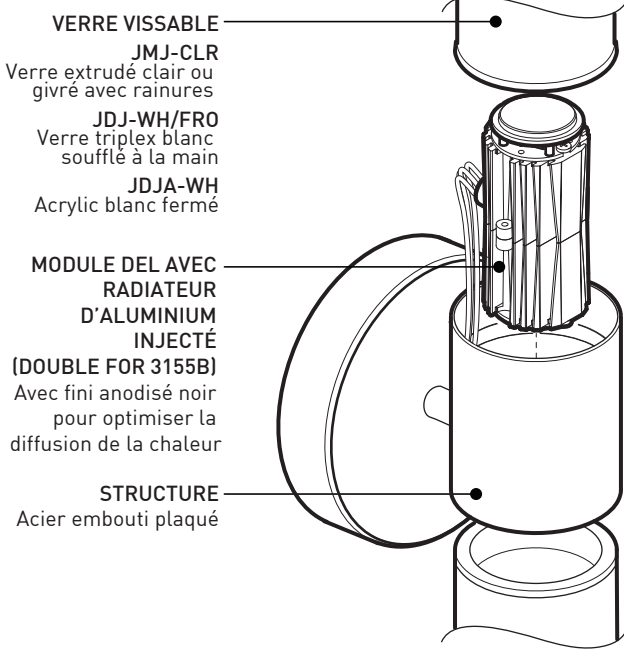


225 de Liège Ouest, Suite #200
Montréal (QC), Canada H2P 1H4
Tel : 514.385.3515 Fax : 514.385.4169
www.eurekalighting.com

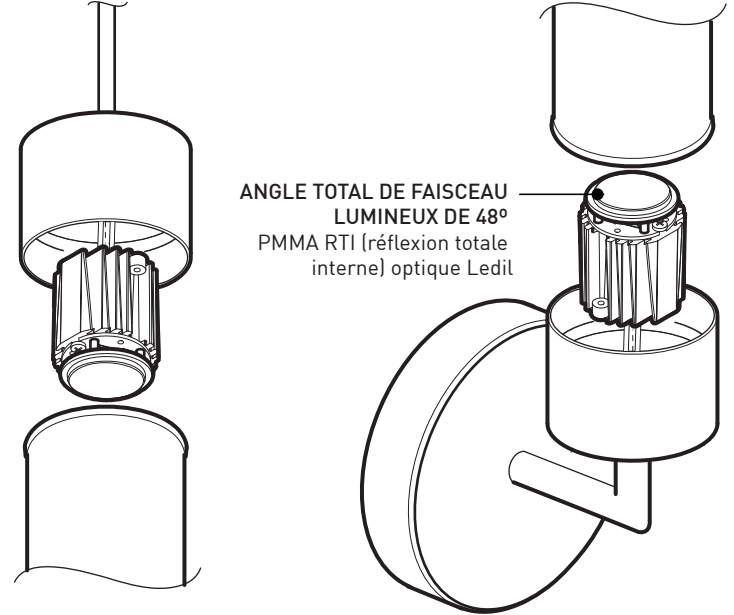


3155B 4156B
3156B

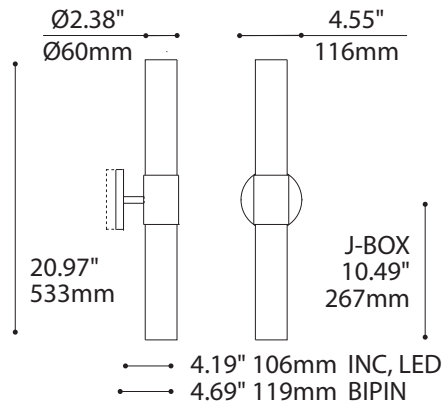
APPLIQUE MURALE 3155B-JMJ/JDJ/JDJA



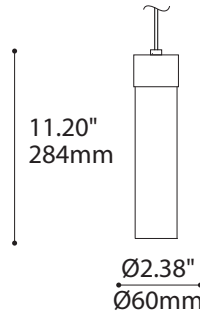
SUSPENSION 4156B-JMJ/JDJ/JDJA APPLIQUE MURALE 3156B-JMJ/JDJ/JDJA



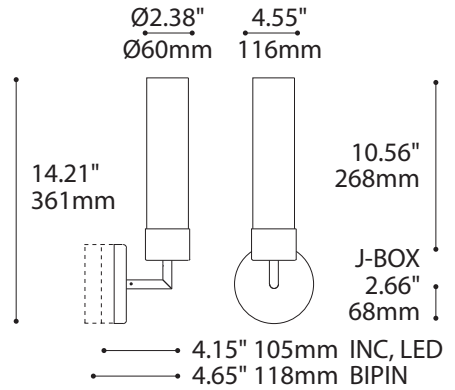
AUTRES SOURCES LUMINEUSES DISPONIBLES
Halogène (pour JDJ/JMJ)
Incandescent (pour JDJ/JMJ)



3155B



4156B



3156B

SPECIFICATIONS

SOURCE LUMINEUSE
MODULE
LUMENS LIVRÉ
IRC
ROHS
VOLTAGE
PILOTE
GRADATION
GARANTIE
LM-79 & CERTIFICATION

3155B DEL

2 x Nichia - total ±8 w
Reconnu par UL - fabriqué aux États-Unis
880 lm (JDJ-WH) / 626 lm (JDJA-WH)
85 CRI [typique]
Conforme
120V - 277V
350 mA
Gradation phase [DP] & Gradation 0-10V [DV]
5 ans (sur les composantes électroniques)
Sur demande & reconnu par CSA

4156B /3156B DEL

1 x Nichia - total ±4 w
440 lm (JDJ-WH) / 312 lm (JDJA-WH)

SPECIFICATIONS

SOURCE LUMINEUSE
VOLTAGE

Halogène (for JDJ/JMJ)

Bipin 50 w (x 2 pour 3155B)
120V-277V

Incandescent (for JDJ/JMJ)

B10/T10 100 w (x 2 pour 3155B)
120V



225 de Liège Ouest, Suite #200
Montréal (QC), Canada H2P 1H4
Tel : 514.385.3515 Fax : 514.385.4169
www.eurekalingting.com



3155B 4156B
3156B