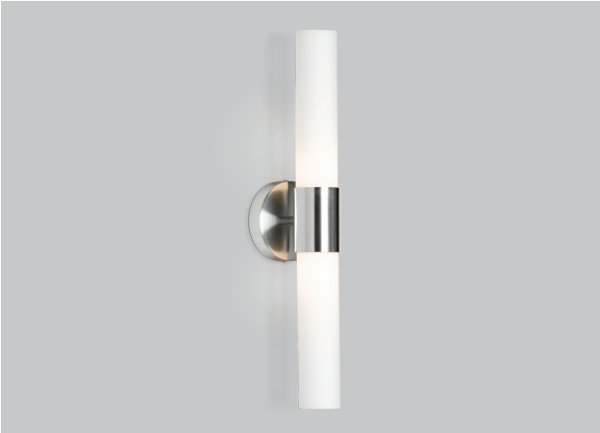


# SILENE CLASSIC DOUBLE 3155B-JDJ / JDJA

PROJECT PROJET

SPEC TYPE

NOTES

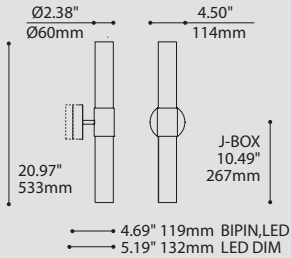


## OPTIONS



JDJ-FRO JDJ-WH JDJA-WH (ACRYLIC)

3155B-JDJ/3155B-JDJA



## FAMILY FAMILLE



4156B-JDJ/JDJA

4424-JDJ/JDJA

## ORDERING SPECIFICATION SPÉCIFICATION DE COMMANDE

CODE

### MODEL MODÈLE

3155B-JDJ SILENE CLASSIC DOUBLE JDJ  
 3155B-JDJA SILENE CLASSIC DOUBLE JDJA (CLOSED TOP AND BOTTOM ACRYLIC DIFFUSER)

### LIGHT SOURCE SOURCE LUMINEUSE

(WATTAGE, LAMP TYPE, LAMP FORM, BASE TYPE, OTHER INFO)

3155B-JDJ  
 2XBIPIN.35 35W X 2, HAL, BIPIN, GY6.35 BASE  
 2XLED.4 4W X 2, LED

3155B-JDJA  
 2XLED.4 4W X 2, LED

### COLOR TEMPERATURE TEMPÉRATURE DE COULEUR

FOR LED ONLY

27 2700K  
 30 3000K  
 35 3500K  
 40\* 4000K  
 \*LONGER LEAD TIME MAY APPLY, PLEASE CONTACT YOUR EUREKA REPRESENTATIVE

### COLOR RENDERING INDEX (CRI) INDICE DE RENDU DE COULEUR (IRC)

90 90+ CRI  
 FOR LED ONLY- MANDATORY

### VOLTAGE VOLTAGE

120V 120 VOLT  
 277V 277 VOLT

### DIMMING OPTION OPTION DE GRADATION

DV 0-10V DIMMING (120-277V)  
 DP PHASE DIMMING (120V ONLY)

### MOUNTING MONTAGE

RC ROUND CANOPY / PAVILLON ROND  
 FOR HAL & LED: 1.00" CANOPY (2401E)  
 FOR LED DIMMABLE: 1.75" CANOPY (2403G)

### STRUCTURE FINISH FINI STRUCTURE

SC SATIN CHROME  
 CHR CHROME

### DIFFUSER FINISH FINI DIFFUSEUR

3155B-JDJ  
 WH WHITE  
 FRO FROSTED

3155B-JDJA  
 WH WHITE

## PRODUCT CHARACTERISTICS CARACTÉRISTIQUES DU PRODUIT



**DESIGN:** Double silene diffuser sconce with straight stem and screw mount diffuser.  
**LIGHT SOURCE:** LED and other light sources also available.  
**STRUCTURE:** Die-stamped steel and tubular steel structure with plated finish.  
**DIFFUSER:** Hand blown frosted or white triplex glass (JDJ) or extruded clear ribbed diffuser (JMJ). Also available with a closed top and bottom acrylic shade (JDJA).  
**CERTIFIED:** c-CSA-us

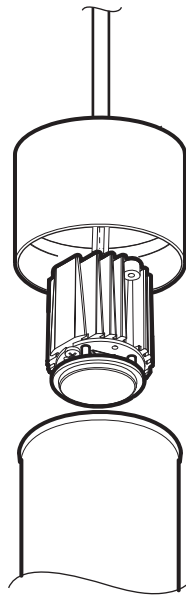
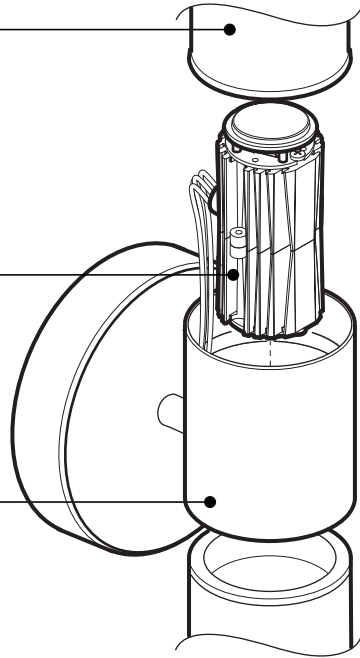
**CONCEPTION:** Applique double munie d'une tige droite et de filets pour visser le diffuseur.  
**SOURCE LUMINEUSE:** DEL et autres sources offertes.  
**STRUCTURE:** Acier embouti et structure d'acier tubulaire plaqués.  
**DIFFUSEUR:** Diffuseur triplex givré ou blanc soufflé à la main (JDJ) ou extrudé strié clair (JMJ). Aussi offert avec un diffuseur en acrylique au dessus et dessous fermé (JDJA).  
**CERTIFIÉ:** c-CSA-us

WALL MOUNT 3155B-JMJ/JDJ/JDJA

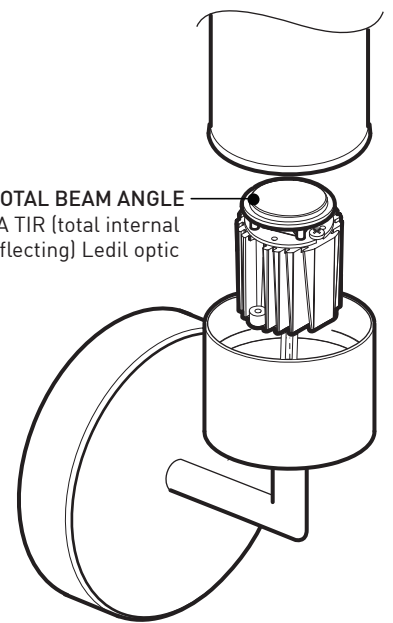
SUSPENSION 4156B-JMJ/JDJ/JDJA

WALL MOUNT 3156B-JMJ/JDJ/JDJA

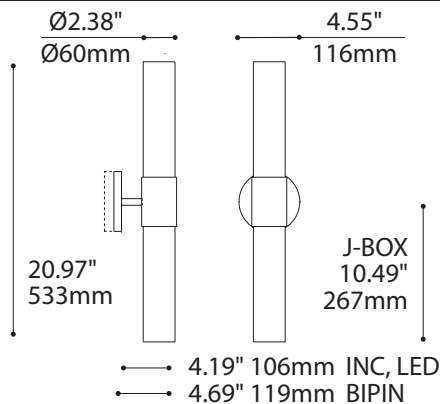
- SCREW MOUNT GLASS  
JMJ-CLR  
Extruded clear or frosted ribbed glass
- JDJ-WH/FRO  
Hand blown white triplex glass
- JDJA-WH  
Closed top white acrylic shade
- LED MODULE WITH DIE-CAST ALUMINUM HEATSINK (DOUBLE FOR 3155B)  
Black anodized for improved thermal management
- STRUCTURE  
Die-stamped steel with plated finish



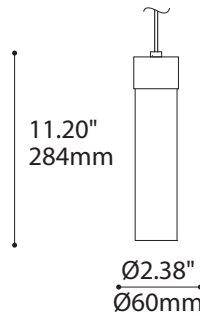
48° TOTAL BEAM ANGLE  
PMMA TIR (total internal reflecting) Ledil optic



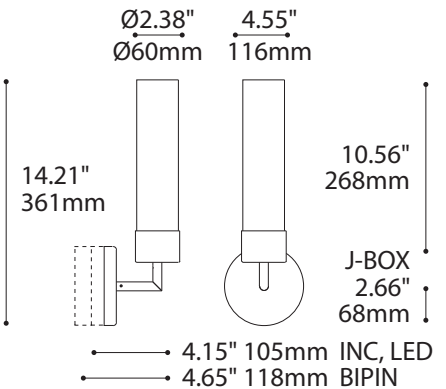
**OTHER LIGHT SOURCES AVAILABLE**  
Halogen (for JDJ/JMJ)  
Incandescent (for JDJ/JMJ)



3155B



4156B



3156B

## SPECIFICATIONS

LIGHT SOURCE MODULE  
LUMENS (DELIVERED)  
CRI  
ROHS  
VOLTAGE  
DRIVER  
DIMMING  
WARRANTY  
LM-79 & CERTIFICATION

### 3155B LED

2 x Nichia - total  $\pm 8$  w  
UL recognized - made in USA  
880 lm (JDJ-WH) / 626 lm (JDJA-WH)  
85 CRI (typical)  
Compliant  
120V - 277V  
350 mA  
Phase dimming (DP) & 0-10V Dimming (DV)  
5 years (on electronic components)  
On request & CSA recognized

### 4156B /3156B LED

1 x Nichia - total  $\pm 4$  w  
440 lm (JDJ-WH) / 312 lm (JDJA-WH)

## SPECIFICATIONS

LIGHT SOURCE  
VOLTAGE

### Halogen (for JDJ/JMJ)

Bipin 50 w (x 2 for 3155B)  
120V-277V

### Incandescent (for JDJ/JMJ)

B10/T10 100 w (x 2 for 3155B)  
120V

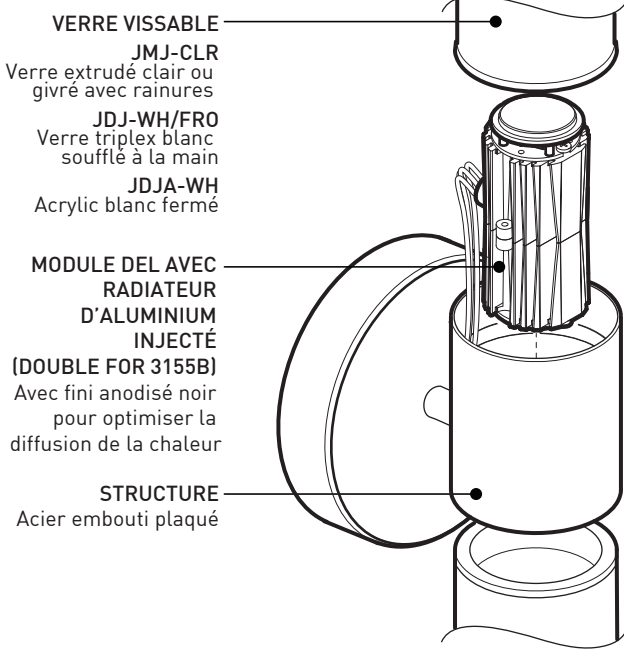


225 de Liège Ouest, Suite #200  
Montréal (QC), Canada H2P 1H4  
Tel : 514.385.3515 Fax : 514.385.4169  
www.eurekalighting.com

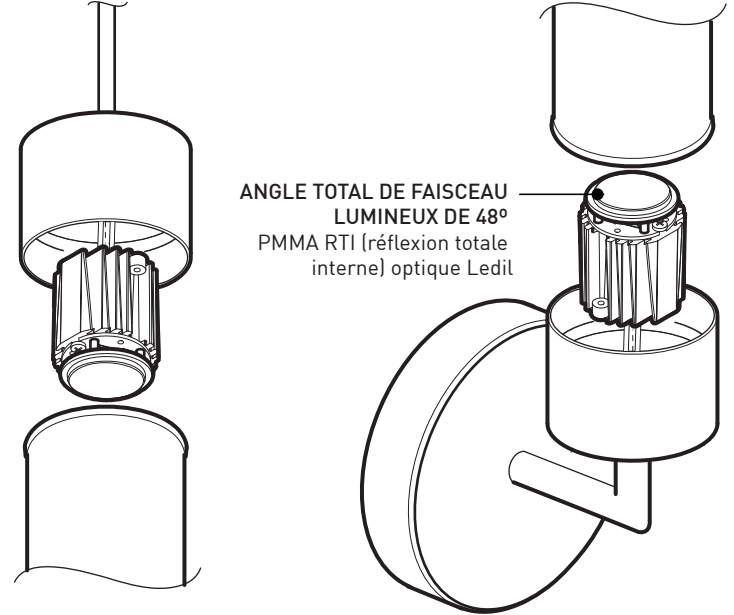


**3155B 4156B**  
**3156B**

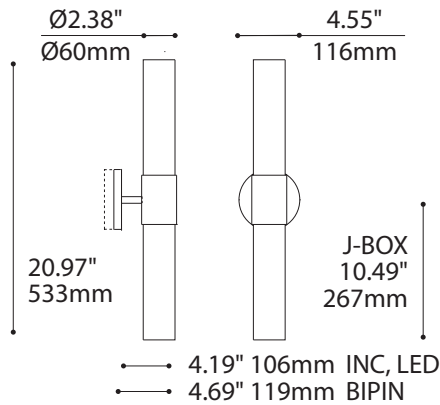
APPLIQUE MURALE 3155B-JMJ/JDJ/JDJA



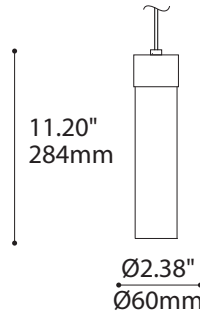
SUSPENSION 4156B-JMJ/JDJ/JDJA APPLIQUE MURALE 3156B-JMJ/JDJ/JDJA



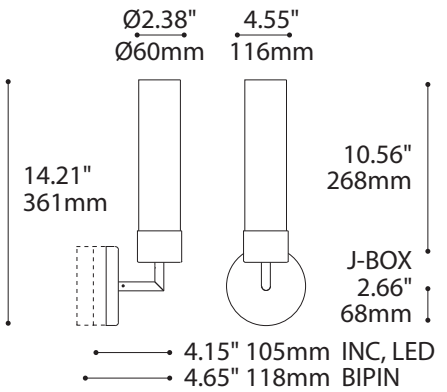
**AUTRES SOURCES LUMINEUSES DISPONIBLES**  
Halogène (pour JDJ/JMJ)  
Incandescent (pour JDJ/JMJ)



3155B



4156B



3156B

## SPECIFICATIONS

SOURCE LUMINEUSE  
MODULE  
LUMENS LIVRÉ  
IRC  
ROHS  
VOLTAGE  
PILOTE  
GRADATION  
GARANTIE  
LM-79 & CERTIFICATION

### 3155B DEL

2 x Nichia - total ±8 w  
Reconnu par UL - fabriqué aux États-Unis  
880 lm (JDJ-WH) / 626 lm (JDJA-WH)  
85 CRI [typique]  
Conforme  
120V - 277V  
350 mA  
Gradation phase [DP] & Gradation 0-10V [DV]  
5 ans (sur les composantes électroniques)  
Sur demande & reconnu par CSA

### 4156B /3156B DEL

1 x Nichia - total ±4 w  
440 lm (JDJ-WH) / 312 lm (JDJA-WH)

## SPECIFICATIONS

SOURCE LUMINEUSE  
VOLTAGE

### Halogène (for JDJ/JMJ)

Bipin 50 w (x 2 pour 3155B)  
120V-277V

### Incandescent (for JDJ/JMJ)

B10/T10 100 w (x 2 pour 3155B)  
120V



225 de Liège Ouest, Suite #200  
Montréal (QC), Canada H2P 1H4  
Tel : 514.385.3515 Fax : 514.385.4169  
www.eurekalingting.com



**3155B 4156B**  
**3156B**