

# DIAL 2060

PROJECT PROJET
SPEC TYPE
NOTES



## OPTIONS



BLKE

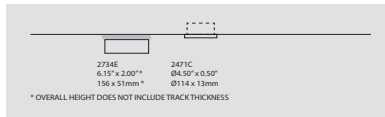
WHE

CHR

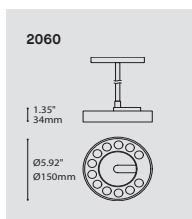
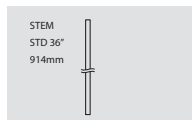
## OVERALL HEIGHT HAUTEUR HORS TOUT

	LED TRACK 1 CIRCUIT	LED 0.50" CANOPY
MOUNTING	2734E	2471C
STEM	39.95"	38.45"

## MOUNTING OPTIONS OPTIONS DE MONTAGE



## STEM OR CABLE OPTION OPTIONS DE TIGE OU CABLE



ORDERING SPECIFICATION SPÉCIFICATION DE COMMANDE		CODE
MODEL MODÈLE		2060
2060	DIAL	
LIGHT SOURCE SOURCE LUMINEUSE		
LED	REGULAR OUTPUT	
LED.HO	HIGH OUTPUT	
COLOR TEMPERATURE TEMPÉRATURE DE COULEUR		
27*	2700K	
30	3000K	
35	3500K	
40	4000K	
* LONGER LEAD TIME MAY APPLY, PLEASE CONTACT YOUR EUREKA REPRESENTATIVE		
COLOR RENDERING INDEX (CRI) INDICE DE RENDU DE COULEUR (IRC)		
80	80+ CRI	
90*	90+ CRI	
* LONGER LEAD TIME MAY APPLY, PLEASE CONTACT YOUR EUREKA REPRESENTATIVE		
BEAM ANGLE ANGLE DE FAISCEAU		
NA	NARROW (18°)	
ME	MEDIUM (44°)	
VOLTAGE VOLTAGE		
120V	120 VOLT	
277V	277 VOLT	
DIMMING OPTION OPTION DE GRADATION*		
DV	0-10V DIMMING (120V-277V)	
DP	PHASE DIMMING (120V ONLY)	
LED DIMMING DRIVER IS STANDARD IN THIS PRODUCT, PLEASE SPECIFY YOUR DIMMING TYPE. * 3983 ACCESSORY IS PROVIDED		
STEM TIGE		S10
S10	3/8" (10MM), STEM, NOT FIELD ADJUSTABLE	
STEM LENGTH LONGUEUR DE TIGE		
36	36" STEM (STD LENGTH)	
**	CUSTOM STEM LENGTH (PLEASE SPECIFY)	
FOR OVERALL LENGTH, PLEASE CONTACT YOUR EUREKA REPRESENTATIVE.		
MOUNTING MONTAGE		
RC	ROUND CANOPY / PAVILLON ROND SCREWLESS 0.5" CANOPY (2471C)	
TA1	TRACK ADAPTOR / ADAPTATEUR DE RAIL 1 CIRCUIT LED DIMMING 120V ADAPTOR (2734E)	
TRACK ADAPTOR FINISH FINI ADAPTATEUR DE RAIL <sup>(A)</sup>		
BLK	BLACK	
WH	WHITE	
<sup>(A)</sup> FILL IN IF A TRACK ADAPTOR IS SELECTED, OTHERWISE LEAVE EMPTY.		
CANOPY FINISH FINI PAVILLON		
BLKE	BLACK FINE TEXTURE	
WHE	WHITE FINE TEXTURE	
STEM FINISH FINI DE LA TIGE		BLKE
BLKE	BLACK FINE TEXTURE	
RING FINISH FINI ANNEAU		
BLKE	BLACK FINE TEXTURE	
WHE	WHITE FINE TEXTURE	
CHR	CHROME	
ACCESSORY ACCESSOIRE		
3983	DEEP JUNCTION BOX	

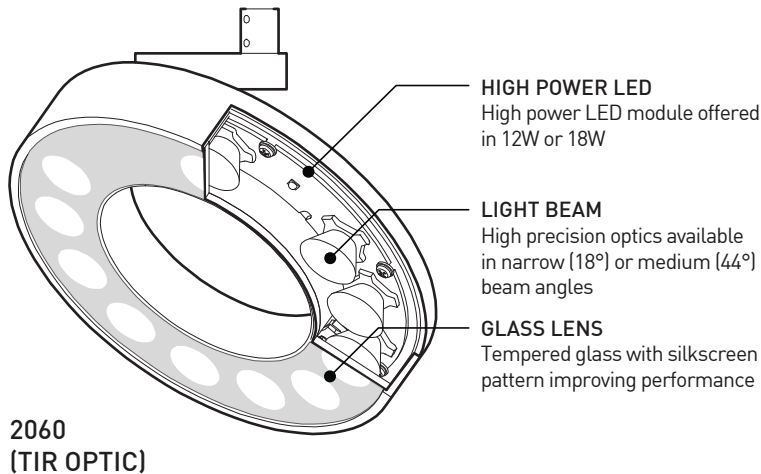
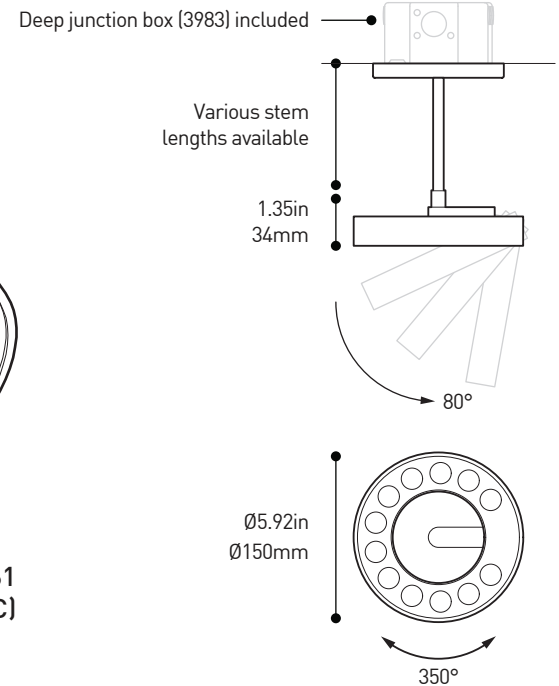
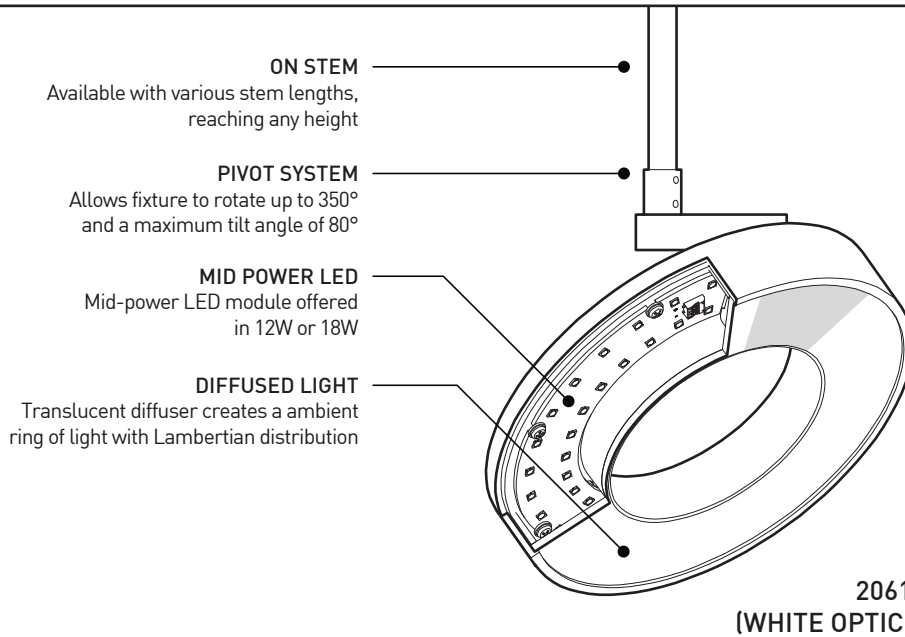
## PRODUCT CHARACTERISTICS CARACTÉRISTIQUES DU PRODUIT



# ANATOMY

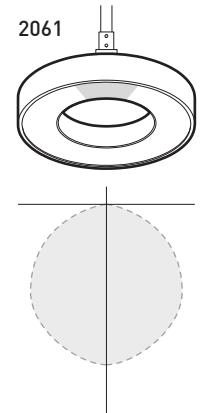
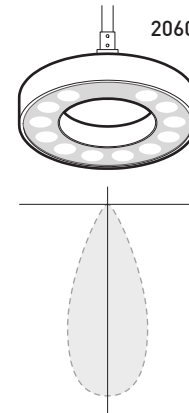


# DIAL-SUSPENDED



**DIRECT PROJECTOR**  
High precision optics create a tight beam angle

**AMBIENT GLOW**  
Translucent diffuser creates a Lambertian distribution



## SPECIFICATIONS

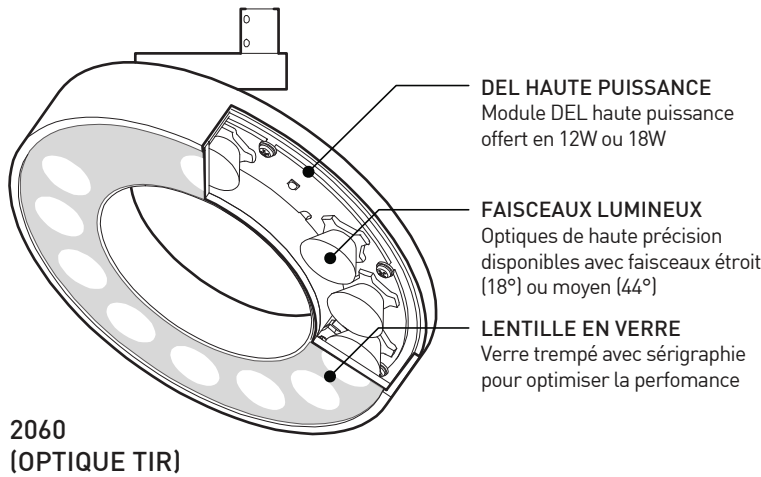
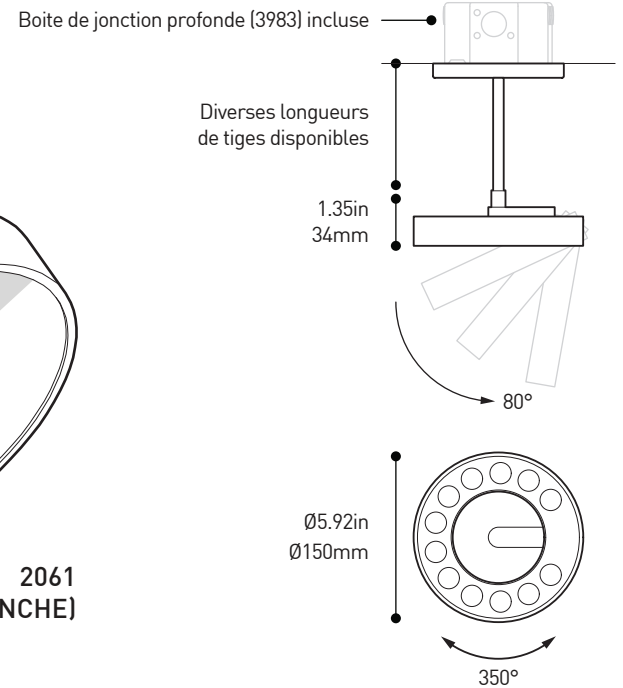
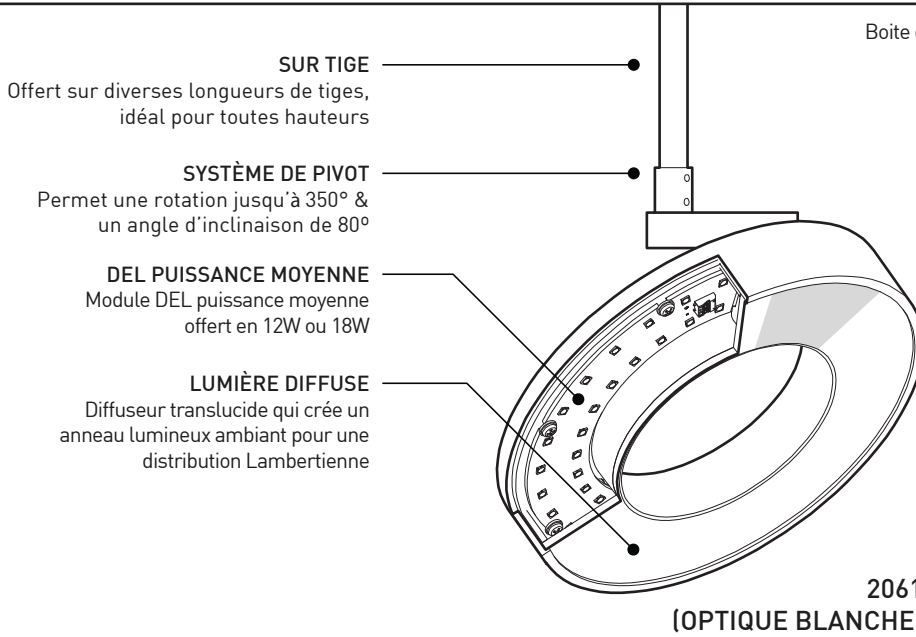
	2060 REG	2060 HO	2061 REG	2061 HO
LIGHT SOURCE	12 x High Power LED on MCPCB		48 x Mid power LED on MCPB	
DELIVERED LUMENS	982 lm (4000K)	1318 lm (4000K)	687 lm (4000K)	951 lm (4000K)
SYSTEM WATTAGE	15W Total	22.5W Total	13.6W Total	20.8W Total
OPTICS	Narrow (18°) or medium (44°) FWHM beam angles			
CRI	80+ CRI or 90+ CRI			
CCT	2700K, 3000K, 3500K or 4000K 3-step MacAdam ellipse binning			
LIGHT DISTRIBUTION	Directional projector with 80° movement and 350° rotation			
MODULE	UL Recognized - Proprietary design - Made in USA			
HEATSINK	Black diecast aluminum			
VOLTAGE	120V or 277V			
DIMMING	Phase dimming (DP) or 0-10V dimming (DV)			
WARRANTY	5 years			



225 de Liège Ouest, Suite #200  
Montréal (QC), Canada H2P 1H4  
Tel : 514.385.3515 Fax : 514.385.4169  
www.eurekalighting.com

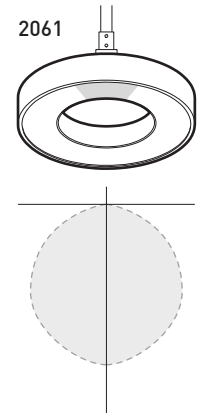
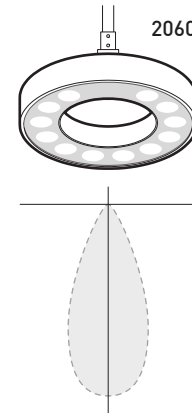


2060  
2061



**PROJECTEUR DIRECT**  
Optiques de haute précision créant un faisceau de lumière étroit

**LUMIÈRE AMBIANTE**  
Diffuseur translucide créant une distribution Lambertienne



## SPÉCIFICATIONS

	2060 REG	2060 HO	2061 REG	2061 HO
SOURCE LUMINEUSE	12 x LED haute puissance MCPCB		48 x LED puissance moyenne sur MCPCB	
LUMENS RÉELS	982 lm (4000K)	1318 lm (4000K)	687 lm (4000K)	951 lm (4000K)
PUISSANCE TOTALE	15W Totale	22.5W Totale	13.6W Totale	20.8W Totale
OPTIQUES	Angle de faisceau étroit (18°) ou moyen (44°) FWHM			
IRC	80+ IRC ou 90+ IRC			
CCT	2700K, 3000K, 3500K ou 4000K 3 ellipses MacAdam			
DISTRIBUTION LUMINEUSE	Projecteur directionnel avec pivot 80° et rotation 350°			
MODULE	Reconnu UL - Design propriétaire - Fait aux É-U			
RADIATEUR	Aluminium noir moulé			
VOLTAGE	120V or 277V			
GRADATION	Gradation phase (DP) ou gradation 0-10V (DV)			
GARANTIE	5 ans			