

SLIM STACK 2036

PROJECT PROJÉT
SPEC TYPE
NOTES



OPTIONS



BLK-BLK BLK-WH CHR-BLK CHR-WH WH-BLK WH-WH

OVERALL HEIGHT HAUTEUR HORS TOUT

LIGHT SOURCE	HAL TRACK 1 CIRCUIT	INC TRACK 1 CIRCUIT	LED TRACK 1 CIRCUIT	INC-HAL -LED	LED DIM	CMH ELEC
MOUNTING	2734	2734B	2734E	2401E	2403G	2402G
STEM	43.20"	42.50"	44.30"	43.10"	43.60"	42.90"

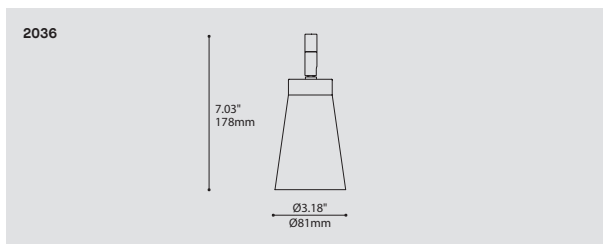
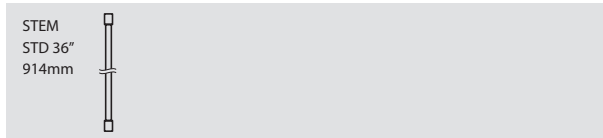
FOR 2036, ADD 1.50" (FOR SWIVEL)

MOUNTING OPTIONS OPTIONS DE MONTAGE

TRACK ADAPTOR	HAL TRACK	INC TRACK	LED TRACK	INC-HAL	LED DIM
2734	2734B	2734E	2401E	2403G	
3.85" x 2.03" 98 x 52mm	1.46" x 1.36" 37 x 35mm	6.15" x 2.00" 156 x 51mm	Ø4.50" x 1.00" Ø114 x 25mm	Ø4.50" x 1.50" Ø114 x 38mm	

* OVERALL HEIGHT DOES NOT INCLUDE TRACK THICKNESS

STEM OR CABLE OPTIONS OPTIONS DE TIGE OU CABLE



ORDERING SPECIFICATION SPÉCIFICATION DE COMMANDE

MODEL MODÈLE	CODE
--------------	------

2036	SLIM STACK (PROJECTOR HEAD)	2036
------	-----------------------------	------

LIGHT SOURCE SOURCE LUMINEUSE

(WATTAGE, LAMP TYPE, LAMP FORM, BASE TYPE, OTHER INFO)		
MR16C.50	50W, HAL, MR16C, GU5.3 BASE	
GZ10.50	50W, HAL, MR16, GZ10 BASE (120V ONLY)	
PAR20.50	50W, INC, PAR20, MEDIUM BASE (120V ONLY)	
LED.4	4W, LED	

COLOR TEMPERATURE TEMPÉRATURE DE COULEUR

FOR LED ONLY	
27	2700K
30	3000K
35	3500K
40*	4000K

*LONGER LEAD TIME MAY APPLY, PLEASE CONTACT YOUR EUREKA REPRESENTATIVE

COLOR RENDERING INDEX (CRI) INDICE DE RENDU DE COULEUR (IRC)

90	90+ CRI
----	---------

FOR LED ONLY - MANDATORY

VOLTAGE VOLTAGE

120V	120 VOLT
277V*	277 VOLT

*NOT AVAILABLE WITH A TRACK ADAPTOR

DIMMING OPTION OPTION DE GRADATION

FOR LED ONLY	
DV*	0-10V DIMMING (120-277V)
DP	PHASE DIMMING (120V ONLY)

*NOT AVAILABLE WITH A TRACK ADAPTOR

STEM TIGE

S6	1/4" (6MM) STEM, FIELD ADJUSTABLE
-	NO STEM (2036 ONLY)

STEM LENGTH LONGUEUR DE TIGE

36	36" STEM (STD LENGTH)
**	CUSTOM STEM LENGTH (PLEASE SPECIFY)

FOR OVERALL LENGTH PLEASE CONTACT YOUR EUREKA REPRESENTATIVE.

MOUNTING MONTAGE

RC	ROUND CANOPY / PAVILLON ROND FOR INC, HAL & LED: 1.00" CANOPY (2401E) FOR DIMMING LED: 1.75" CANOPY (2403G)
TA1	TRACK ADAPTOR / ADAPTATEUR DE RAIL 1 CIRCUIT HAL 120/12V ADAPTOR (2734) INC, GZ10 120V ADAPTOR (2734B) LED DIMMING & NON-DIMMING 120V ADAPTOR (2734E)

MOUNTING OPTION OPTION DE MONTAGE

SCA	SLOPE CEILING ADAPTOR / ADAPTATEUR DE PLAFOND EN PENTE (ROTATION: 350°, PIVOT: 90°)
-----	---

TRACK ADAPTOR FINISH FINI ADAPTATEUR DE RAIL^(A)

WH	WHITE
BLK	BLACK
M G	METALLIC GRAY (2734, 2734B ONLY)

^(A) FILL IN IF A TRACK ADAPTOR IS SELECTED, OTHERWISE LEAVE EMPTY

STRUCTURE FINISH FINI STRUCTURE^(B)

BLK	BLACK
CHR	CHROME
WH	WHITE

^(B) INCLUDE CANOPY FINISH IF A CANOPY IS SELECTED

BAFFLE FINISH FINI DÉFLECTEUR

BLK	BLACK
WH	WHITE

PRODUCT CHARACTERISTICS CARACTÉRISTIQUES DU PRODUIT

BIM	DIM	IES	LED	2036 350°	2036 90°
-----	-----	-----	-----	--------------	-------------

FOR LED ONLY

DESIGN: Contrasting and versatile, the Slim Stack pendant and projector have a perfectly formed slender design.

LIGHT SOURCE: LED and other light sources available.

STRUCTURE: Double layered die-formed steel shade with chrome plated or polyester powder finish.

CERTIFIED: c-CSA-us

ANATOMY

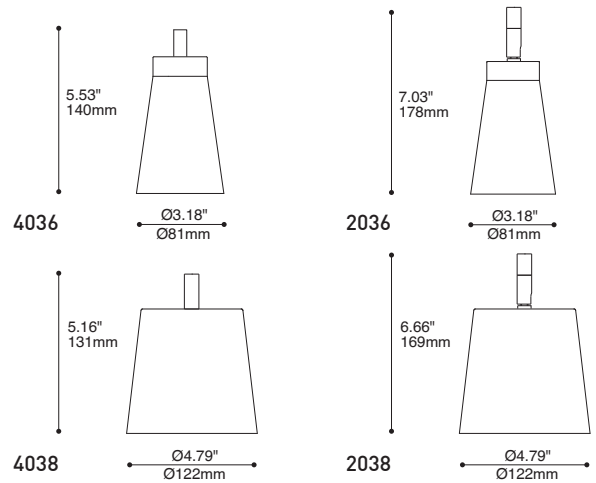
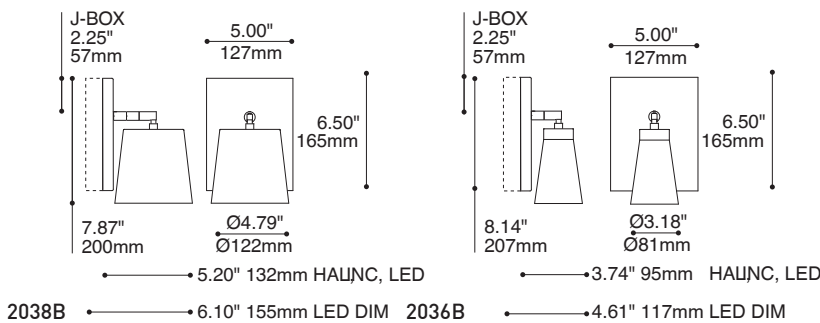
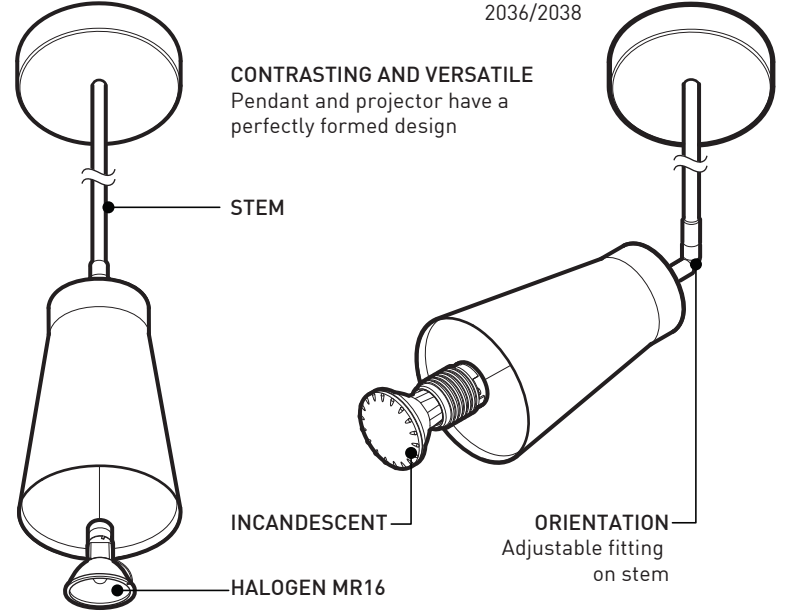
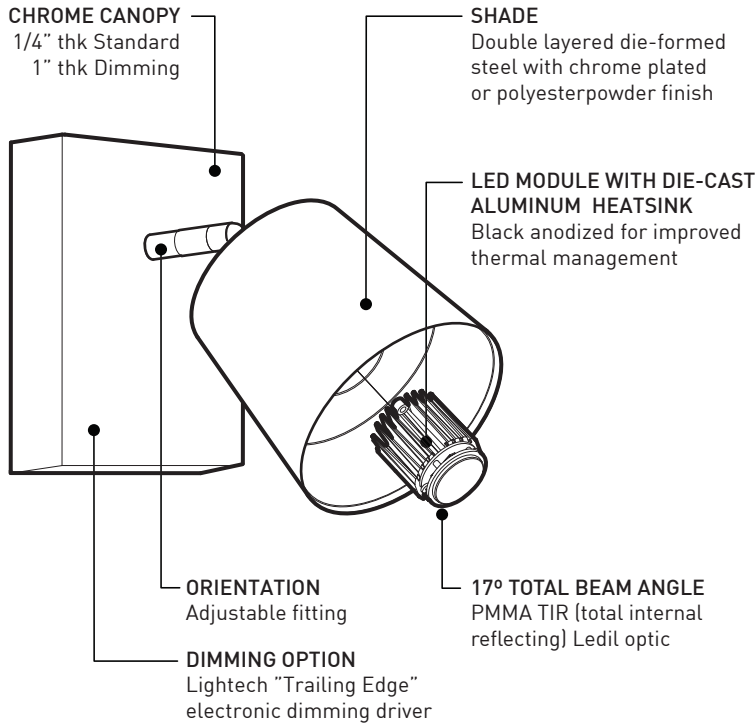


SLIM/STUBBY STACK

2036B/2038B

4036/4038

2036/2038



SPECIFICATIONS

	LED	HALOGEN	INCANDESCENT
LIGHT SOURCE	4 x Nichia - total ±4 w	MR16C, GU5.3 Base/MR16, GZ10 Base- 50W	INC, PAR20, Medium Base- 50W
MODULE	UL recognized - made in USA	N/A	N/A
LUMENS (DELIVERED)	504lm (4000K)	N/A	N/A
CRI	85 CRI (typical)	N/A	N/A
ROHS	Compliant		
HOUSING	Die-formed steel		
HEATSINK	Black anodized aluminium	N/A	N/A
LIGHT DISTRIBUTION	Directional projector (203X(B))/Direct (403X)		
OPTICS	LEDIL TIR - 17° total beam angle	N/A	N/A
VOLTAGE	120V or 277V	120V (MR16), 120V or 277V (MR16C)	120V
DRIVER	350 mA	Electronic low voltage transformer	N/A
DIMMING	Phase dimming (DP) or 0-10V dimming (DV)	Dimmable	Dimmable
LM-79	On request		
WARRANTY	5 years (on electronic components)	3-5 years (on transformer, depending	
CERTIFICATION	CSA recognized	of the transformer)	



225 de Liège Ouest, Suite #200
 Montréal (QC), Canada H2P 1H4
 Tel : 514.385.3515 Fax : 514.385.4169
 www.eurekalighting.com

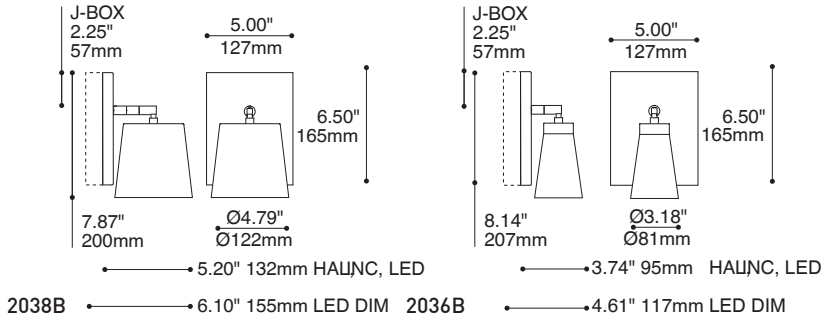
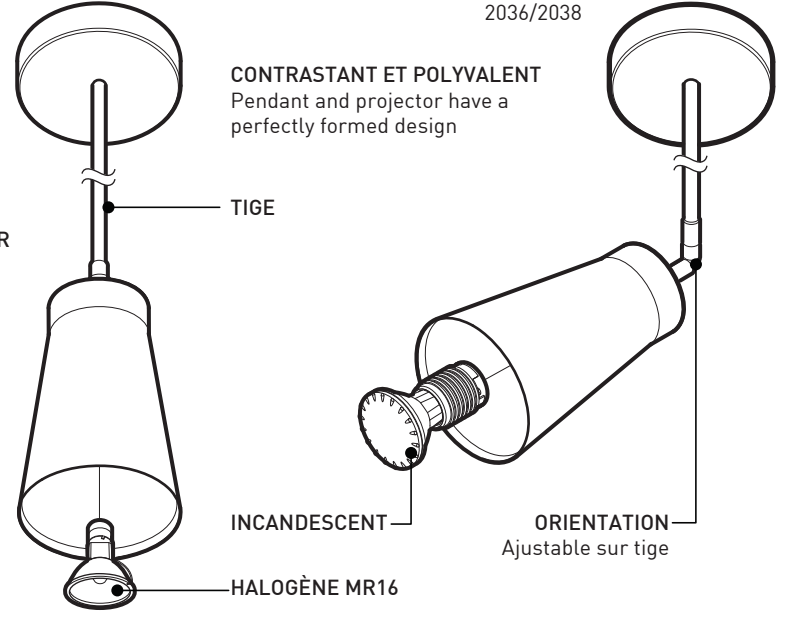
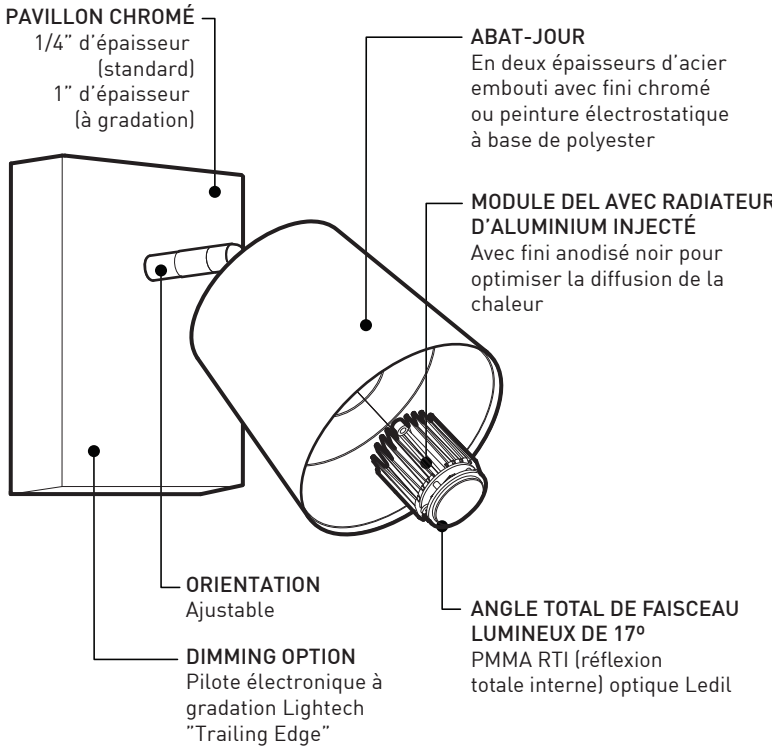


2036B 4036 2036
2038B 4038 2038

2036B/2038B

4036/4038

2036/2038



SPÉCIFICATIONS

	DEL	HALOGÈNE	INCANDESCENT
SOURCE LUMINEUSE	4 x Nichia - total ±4 w	MR16C, GU5.3 Base/MR16, GZ10 Base- 50W	INC, PAR20, Base moyenne- 50W
MODULE	Reconnu par UL - Fabriqué aux États-Unis	N/A	N/A
LUMENS (ESTIMÉ)	504 lm (4000K)	N/A	N/A
IRC	85 IRC (typique)	N/A	N/A
ROHS	Conforme		
RADIATEUR	Aluminium anodisé noir	N/A	N/A
DISTRIBUTION LUMINEUSE	Direct		
OPTIQUE	LEDIL TIR- angle total de faisceau de 17°	N/A	N/A
VOLTAGE	120V ou 277V	120V (MR16), 120V ou 277V (MR16C)	120V
PILOTE	350 mA	Transformateur électronique à bas voltage	N/A
GRADATION	Gradation phase (DP) ou Gradation 0-10V (DV)	Intensité variable	Intensité variable
LM-79	Sur demande		
GARANTIE	5 ans (sur les composantes électroniques)	3-5 ans (sur le transformateur, selon le transformateur)	
CERTIFICATION	Reconnu par CSA		