

PIXEL 2026

PROJECT PROJÉT
SPEC TYPE
NOTES



OVERALL HEIGHT HAUTEUR HORS TOUT

LIGHT SOURCE	LED TRACK 1 CIRCUIT	LED *	LED DIM * -8W 277V *
MOUNTING	2734E	2401C	2403G
STEM 4026	41.05"	38.55"	39.55"
STEM 4064	44.30"	41.80"	42.80"
FOR 2026 / 2064 ADD 1.60" FOR SWIVEL			
*FOR NO STEM / STEM ≤ 12IN - CANOPY 2401C + ACCESSORY 3983			

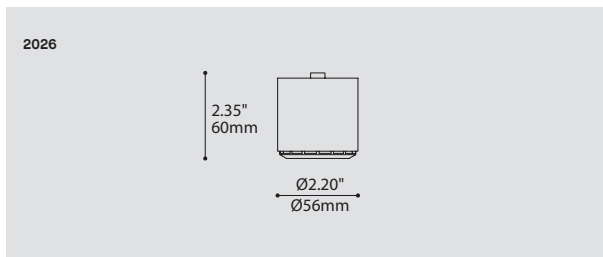
MOUNTING OPTIONS OPTIONS DE MONTAGE

2734E	2401C	2403G
6.15" x 2.00" 156 x 51mm	Ø4.50" x 0.50" Ø114 x 13mm	Ø4.50" x 1.75" Ø114 x 44mm

* OVERALL HEIGHT DOES NOT INCLUDE TRACK THICKNESS

STEM OPTIONS OPTIONS DE TIGE

STEM STD 36" 914mm	
--------------------------	--



ORDERING SPECIFICATION SPÉCIFICATION DE COMMANDE

MODEL MODÈLE CODE

2026 PIXEL (PROJECTOR HEAD) 2026

LIGHT SOURCE SOURCE LUMINEUSE

(WATTAGE, LAMP TYPE, OTHER INFO)
LED.4 4W, LED
LED.8 8W, LED

COLOR TEMPERATURE TEMPÉRATURE DE COULEUR

27 2700K
30 3000K
35 3500K
40* 4000K
*LONGER LEAD TIME MAY APPLY, PLEASE CONTACT YOUR EUREKA REPRESENTATIVE

COLOR RENDERING INDEX (CRI) INDICE DE RENDU DE COULEUR (IRC)

90 90+ CRI

ANGLE BEAM ANGLE DE FAISCEAU

17 17°
48 48°

VOLTAGE VOLTAGE

120V 120 VOLT
277V* 277 VOLT
*NOT AVAILABLE WITH A TRACK ADAPTOR

DIMMING OPTION OPTION DE GRADATION

DV* 0-10V DIMMING (120-277V)
DP PHASE DIMMING (120V ONLY)
*NOT AVAILABLE WITH A TRACK ADAPTOR

STEM TIGE

S6 1/4" (6MM) STEM, FIELD ADJUSTABLE
- NO STEM

STEM LENGTH LONGUEUR DE TIGE

36 36" STEM (STD LENGTH)
****** CUSTOM STEM LENGTH (PLEASE SPECIFY)*
FOR OVERALL LENGTH PLEASE CONTACT YOUR EUREKA REPRESENTATIVE.
 *3983 ACCESSORY PROVIDED FOR STEM/CABLE ≤ 12". EXCEPT LED 8W 120V NON-DIMMING

MOUNTING MONTAGE

RC* ROUND CANOPY / PAVILLON ROND
 FOR LED NON-DIMMING & STEM ≤ 12": 0.50" CANOPY (2401C)
 FOR DIMMING LED & 8W 277V: 1.75" CANOPY (2403G)
*CANOPY FINISH ALWAYS CHROME

TA1 TRACK ADAPTOR / ADAPTEUR DE RAIL
 1 CIRCUIT
 LED DIMMING & NON-DIMMING 120V ADAPTOR (2734E)

MOUNTING OPTION OPTION DE MONTAGE

SCA* SLOPE CEILING ADAPTOR / ADAPTEUR DE PLAFOND EN PENTE (ROTATION: 350°, PIVOT: 90°)
*ONLY AVAILABLE WITH A STEM

TRACK ADAPTOR FINISH FINI ADAPTEUR DE RAIL^(A)

WH WHITE
BLK BLACK
^(A) FILL IN IF A TRACK ADAPTOR IS SELECTED, OTHERWISE LEAVE EMPTY

STRUCTURE FINISH FINI STRUCTURE

CHR CHROME

CYLINDER FINISH FINI CYLINDRE

BLKA BLACK ANODIZED
SA SATIN ALUMINUM
WHE WHITE FINE TEXTURE

HEATSINK FINISH FINI RADIATEUR

BLKA BLACK ANODIZED

ACCESSORY ACCESSOIRE

3983 DEEP JUNCTION BOX (PROVIDED FOR STEM ≤ 12" AS PER ABOVE)

PRODUCT CHARACTERISTICS CARACTÉRISTIQUES DU PRODUIT



DESIGN: Same beautiful proportions and clean look of the Point, Voxel and Pixel are smaller sized minimalist projectors. Cleverly integrated heat sink with beautiful front edge detail and incredible LED performance in a mini-projector.

OPTIC: 17° or 48° beam angle total internal reflecting (TIR) multi-lens.

STRUCTURE: Black anodized die-cast aluminum heat sink with CNC machined aluminum housing available in satin aluminum finish, black or white polyester powder finish.

CERTIFIED: c-CSA-us, c-UL-us

ANATOMY

BIM

DIM

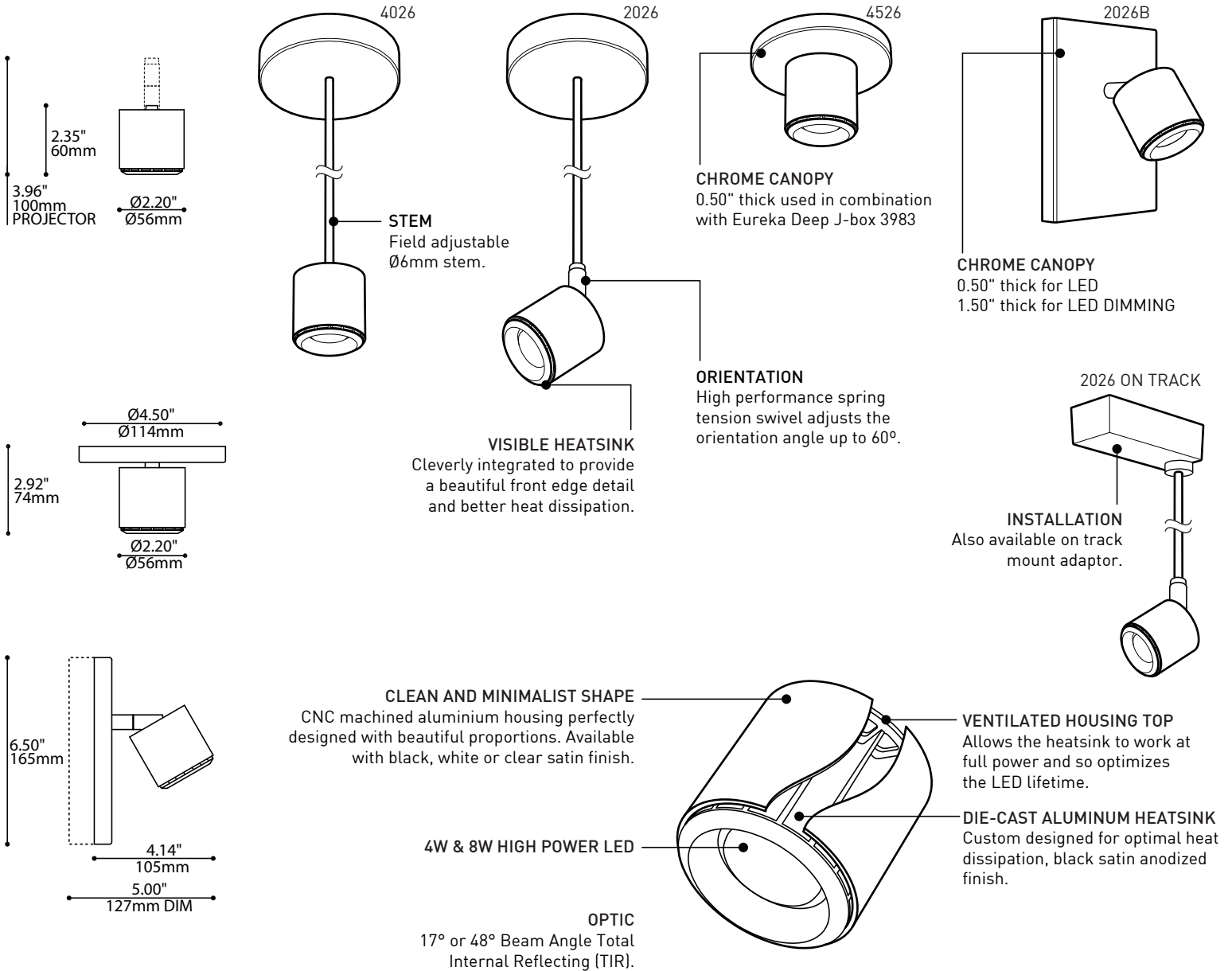
IES

LED

2026
2026B
350°

2026
2026B
60°

PIXEL



SPECIFICATIONS

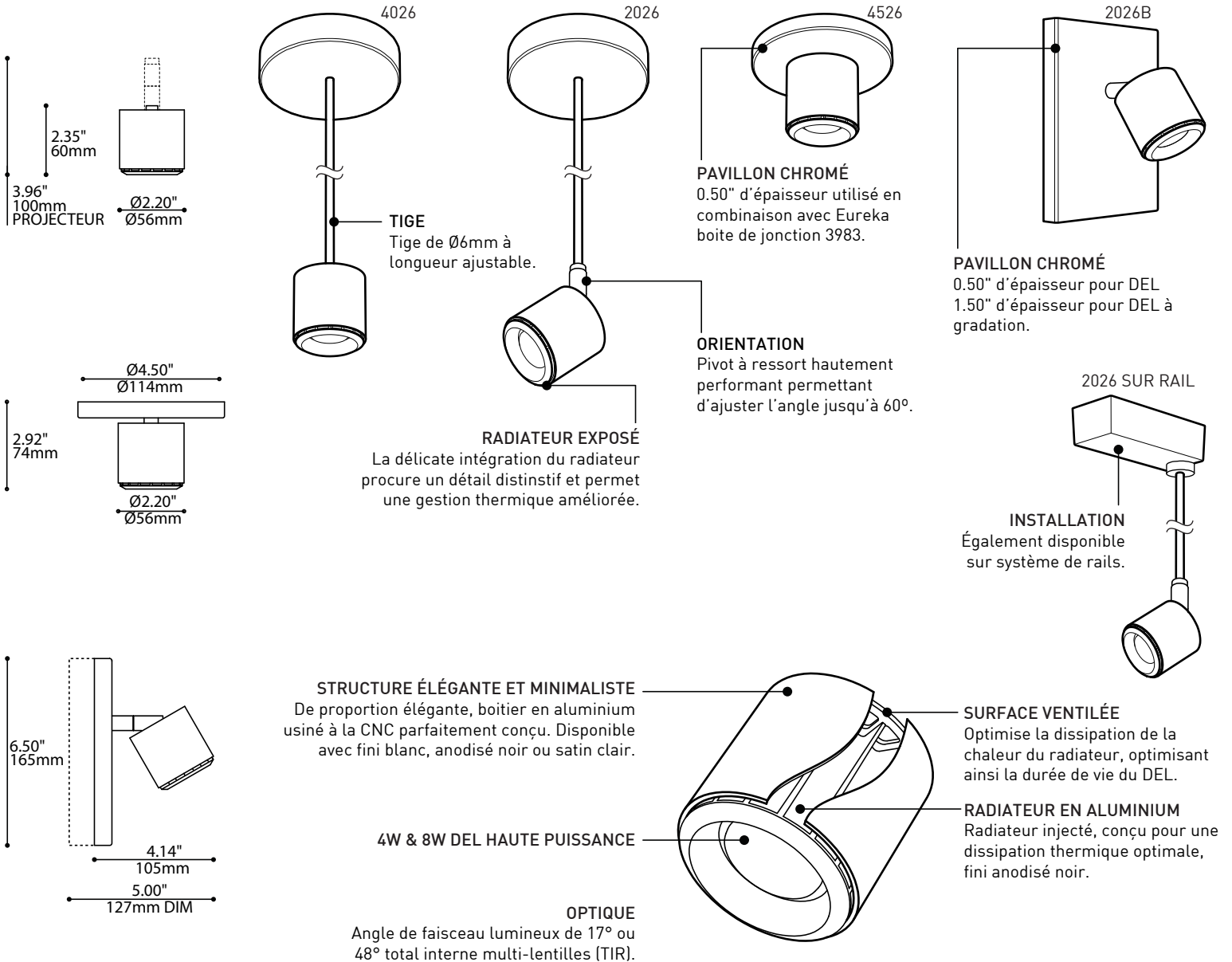
	4W LED	8W LED
LIGHT SOURCE	4x1W High Power LED on MCPCB - System Wattage 4.8W Total	4x2W High Power LED on MCPCB - System Wattage 9.9W Total
DELIVERED LUMENS	541 lm	1003 lm
CRI	80 CRI (typical)	
CCT	3-step MacAdam Ellipse binning	
HOUSING	Machined aluminium cylinder	
HEATSINK	Black anodized aluminium	
LIGHT DISTRIBUTION	Directional projector (2026/2026B) or Direct (4026/4526)	
OPTICS	Total Internal Reflection (TIR) of 17° & 48° beam angle	
VOLTAGE	120V (DP) and 120-277V (DV)	
DRIVER	Constant Current driver 350mA, UL Recognized	Constant Current driver 700mA, UL Recognized
DIMMING	Phase Dimming (DP) and 0-10V Dimming (DV)	
LM-79	On request	On request
WARRANTY	5 years	



225 de Liège Ouest, Suite #200
Montréal (QC), Canada H2P 1H4
Tel : 514.385.3515 Fax : 514.385.4169
www.eurekalighting.com



2026 4026
2026B 4526



SPECIFICATIONS

SOURCE LUMINEUSE
LUMENS RÉELS

IRC

CCT

BOÎTIER

RADIATEUR

DISTRIBUTION LUMINEUSE

OPTIQUES

VOLTAGE

PILOTE

GRADATION

LM-79

GARANTIE

DEL 4W

4 DEL 1W haute puissance - Puissance totale de 4.8W

541 lm

80 CRI (typique)

3-step MacAdam Ellipse binning

Cylindre en aluminium usiné

Aluminium anodisé noir

Projecteur directionnel (2026/2026B) ou Direct (4026/4526)

Angle de faisceau de 17° & 48° Réflexion totale interne (TIR)

120V (DP) et 120-277V (DV)

Courant Constant 350mA, Reconnu UL

DP "phase dimming" et DV "0-10V dimming"

Sur demande

5 ans

DEL 8W

4 DEL 2W haute puissance - Puissance totale de 9.9W

1003 lm

80 CRI (typique)

3-step MacAdam Ellipse binning

Cylindre en aluminium usiné

Aluminium anodisé noir

Projecteur directionnel (2026/2026B) ou Direct (4026/4526)

Angle de faisceau de 17° & 48° Réflexion totale interne (TIR)

120V (DP) et 120-277V (DV)

Courant Constant 700mA, Reconnu UL

DP "phase dimming" et DV "0-10V dimming"

Sur demande

5 ans