

ALVER 2020-MCC

PROJECT PROJET

SPEC TYPE

NOTES



OVERALL HEIGHT HAUTEUR HORS TOUT

LIGHT SOURCE	INC TRACK 1 CIRCUIT	LED TRACK 1 CIRCUIT	LED*	INC-LED*	LED DIM*
MOUNTING	2734B	2734E	2401C	2401E	2403G
STEM	43.24"	44.18"	42.73"	43.23"	43.98"
NO STEM	7.24"	8.18"	6.38"	N/A	N/A

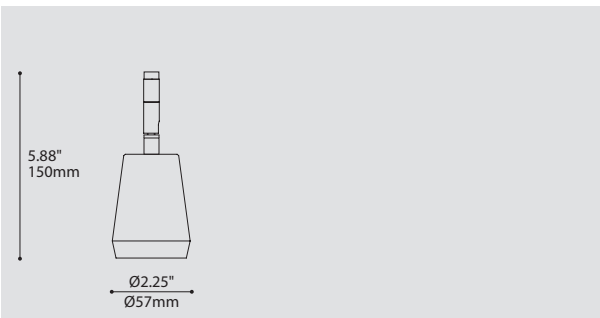
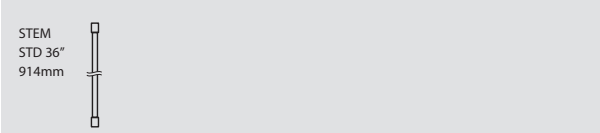
*FOR LED & NO STEM / STEM ≤ 12IN - CANOPY 2401C + ACCESSORY 3983

MOUNTING OPTIONS OPTIONS DE MONTAGE

2734B	2734E	2401C	2401E	2403G
1.46" x 1.36" 37 x 35mm	6.15" x 2.00" 156 x 51mm	Ø4.50" x 0.50" Ø114 x 13mm	Ø4.50" x 1.00" Ø114 x 25mm	Ø4.50" x 1.75" Ø114 x 44mm

* OVERALL HEIGHT DOES NOT INCLUDE TRACK THICKNESS

STEM OPTIONS OPTIONS DE TIGE



ORDERING SPECIFICATION SPÉCIFICATION DE COMMANDE

CODE

MODEL MODÈLE

2020-MCC

2020-MCC ALVER (PROJECTOR HEAD)

LIGHT SOURCE SOURCE LUMINEUSE

(WATTAGE, LAMP TYPE, OTHER INFO)

INC.60 60W, INC, A19 / B10 / G30 / HAL T10, MEDIUM BASE (120V ONLY)

LED.4 4W, LED

COLOR TEMPERATURE TEMPÉRATURE DE COULEUR

FOR LED ONLY

27 2700K

30 3000K

35 3500K

40* 4000K

*LONGER LEAD TIME MAY APPLY, PLEASE CONTACT YOUR EUREKA REPRESENTATIVE

COLOR RENDERING INDEX (CRI) INDICE DE RENDU DE COULEUR (IRC)

90 90+ CRI

FOR LED ONLY - MANDATORY

ANGLE BEAM ANGLE DE FAISCEAU

FOR LED ONLY

17 17°

48 48°

VOLTAGE VOLTAGE

120V 120 VOLT

277V* 277 VOLT

*NOT AVAILABLE WITH A TRACK ADAPTOR

DIMMING OPTION OPTION DE GRADATION

FOR LED ONLY

DV* 0-10V DIMMING (120-277V)

DP PHASE DIMMING (120V ONLY)

*NOT AVAILABLE WITH A TRACK ADAPTOR

STEM TIGE

S6 1/4" (6MM) STEM, FIELD ADJUSTABLE

- NO STEM

STEM OR CABLE LENGTH LONGUEUR DE TIGE OU CABLE

36 36" STEM (STD LENGTH)

60 60" CABLE (STD LENGTH)

** CUSTOM STEM LENGTH (PLEASE SPECIFY)*

** CUSTOM CABLE LENGTH (PLEASE SPECIFY)*

FOR OVERALL LENGTH PLEASE CONTACT YOUR EUREKA REPRESENTATIVE.

*3983 ACCESSORY PROVIDED FOR LED WITH STEM ≤ 12"

MOUNTING MONTAGE

RC



ROUND CANOPY / PAVILLON ROND

FOR LED & STEM/CABLE ≤ 12": 0.50" CANOPY (2401C)

FOR INC & LED: 1.00" CANOPY (2401E)

FOR DIMMING LED: 1.75" CANOPY (2403G)

TA1



TRACK ADAPTOR / ADAPTEUR DE RAIL

1 CIRCUIT

INC 120V ADAPTOR (2734B)

LED DIMMING & NON-DIMMING 120V ADAPTOR (2734E)

MOUNTING OPTION OPTION DE MONTAGE

SCA* SLOPE CEILING ADAPTOR / ADAPTEUR DE PLAFOND EN PENTE (ROTATION: 350°, PIVOT: 90°)

*ONLY AVAILABLE WITH A STEM

TRACK ADAPTOR FINISH FINI ADAPTEUR DE RAIL^(A)

WH WHITE

BLK BLACK

M G METALLIC GRAY (2734B ONLY)

^(A) FILL IN IF A TRACK ADAPTOR IS SELECTED, OTHERWISE LEAVE EMPTY

STRUCTURE FINISH FINI STRUCTURE

BLK BLACK

CHR CHROME

CUP FINISH FINI COUPE

BLK BLACK

CHR CHROME

ACCESSORY ACCESSOIRE

3983 DEEP JUNCTION BOX (PROVIDED FOR LED WITH STEM ≤ 12" AS PER ABOVE)

PRODUCT CHARACTERISTICS CARACTÉRISTIQUES DU PRODUIT



350°

90°



SPECIFICATION

ANATOMY

BIM

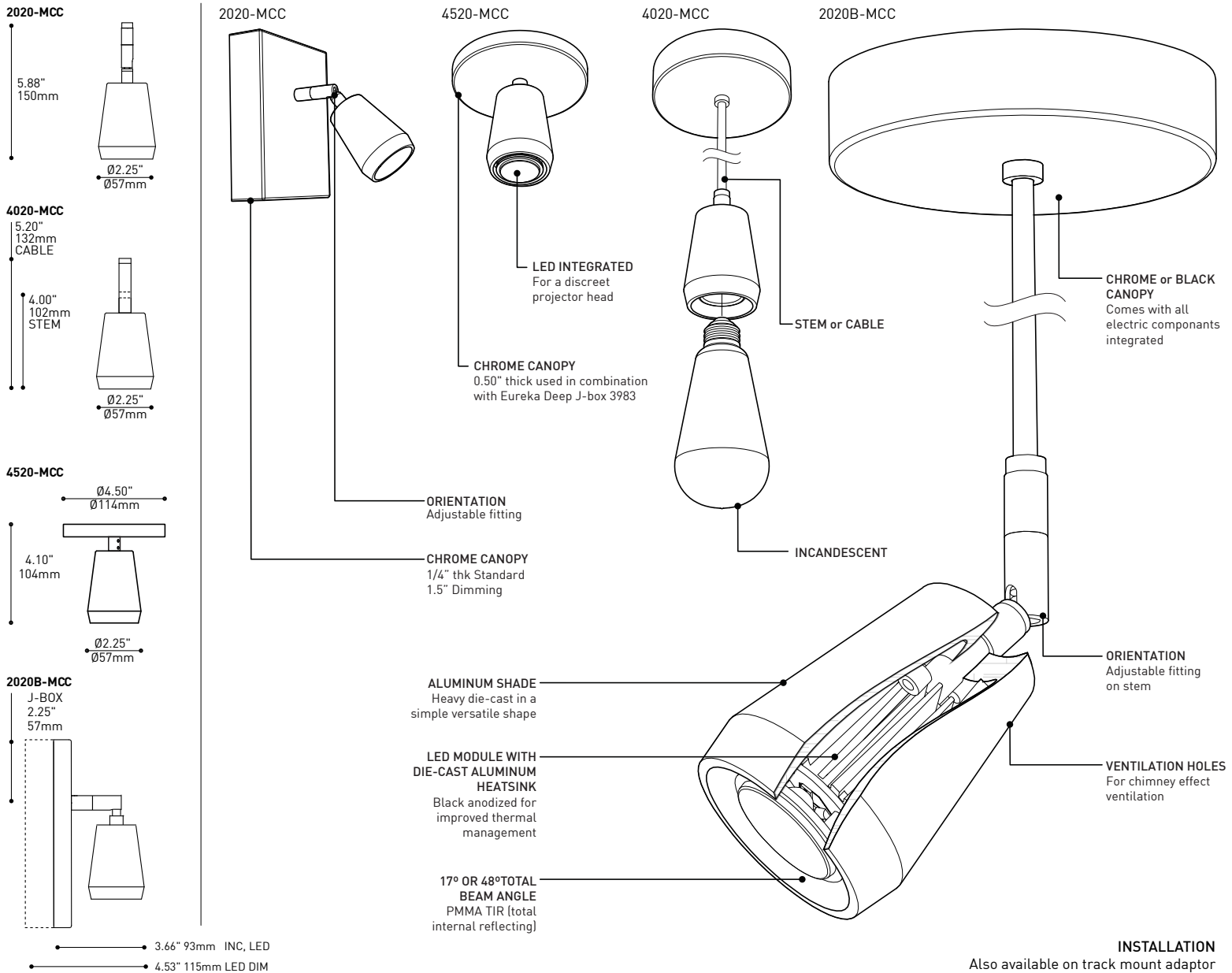
DIM

IES

LED



ALVER



SPECIFICATIONS

LIGHT SOURCE
MODULE
DELIVERED LUMENS
CRI
HOUSING
HEATSINK
LIGHT DISTRIBUTION
OPTICS
VOLTAGE
DRIVER
DIMMING
LM-79
WARRANTY
CERTIFICATION

LED

4 x high powered LEDs on MCPCB - total ±4 w
UL recognized - made in USA
330 lm - 350 lm (4000K)
80 CRI (typical)
Die-cast aluminum
Black anodized aluminium
Directional projector (2020(B))/Direct (4020)
Total Internal Reflection (TIR) of 17° & 48 ° beam angle
120V (DP) or 120-277V (DV or non-dimming)
Constant Current driver 350 mA, UL Recognized
Phase Dimming (DP) and 0-10V Dimming (DV)
On request
5 years (on electronic components)
CSA recognized

INCANDESCENT

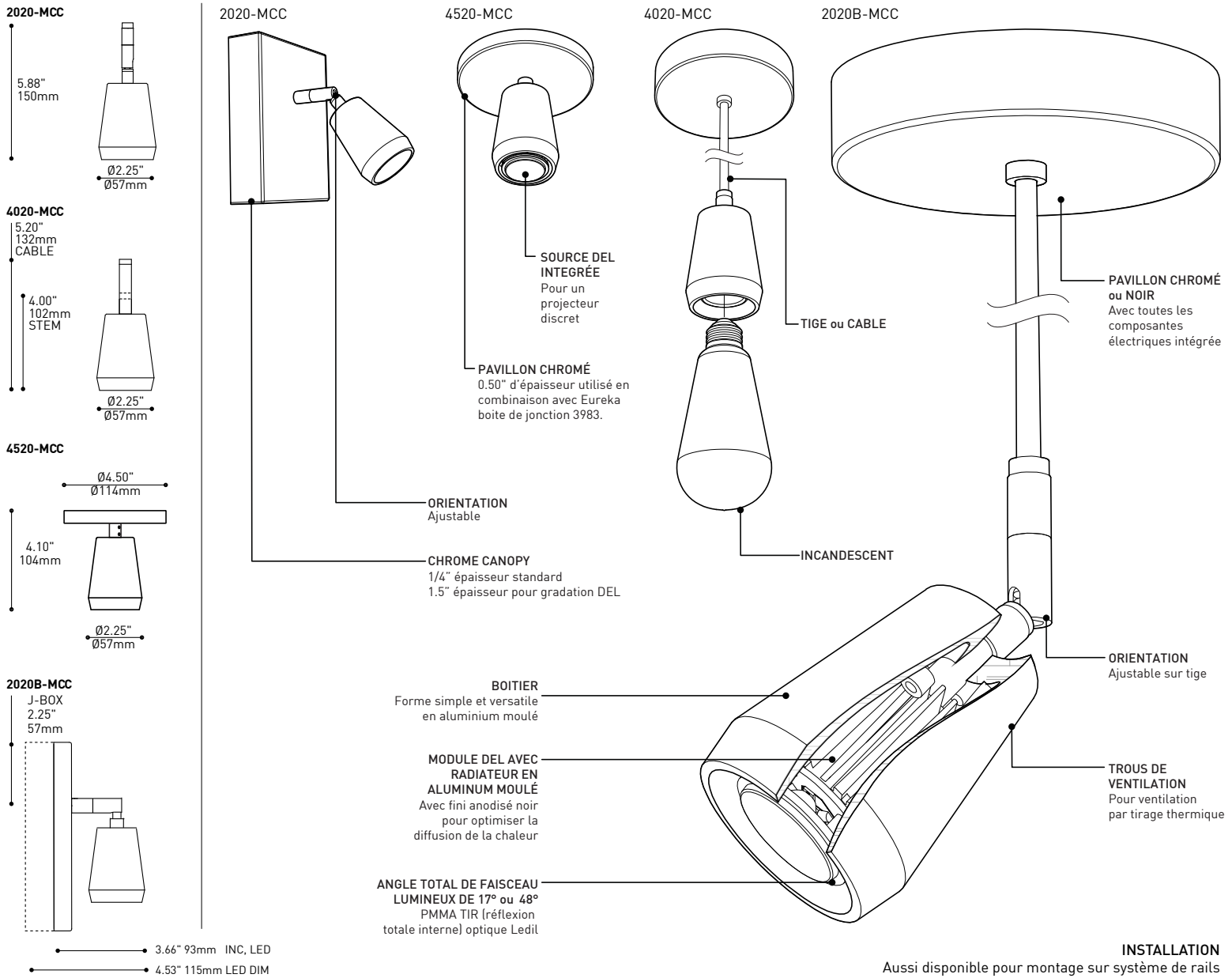
Inc Medium Base - 60W
N/A
N/A
N/A
N/A
N/A
120V
Dimmable



225 de Liège Ouest, Suite #200
Montréal (QC), Canada H2P 1H4
Tel : 514.385.3515 Fax : 514.385.4169
www.eurekalighting.com



2020-MCC **4020-MCC**
2020B-MCC **4520-MCC**



SPÉCIFICATIONS

	LED	INCANDESCENT
LIGHT SOURCE	4 x DEL haute performance sur MCPCB - total ±4 w	Inc Base moyenne - 60W
MODULE	Reconnue par UL - Fabriqué aux États-Unis	N/A
LUMENS RÉELS	330 lm - 350 lm (4000K)	N/A
IRC	80 CRI (typique)	N/A
BOITIER	Aluminium moulé	
RADIATEUR	Aluminium anodisé noir	N/A
DISTRIBUTION LUMINEUSE	Projecteur directionnel (2020(B))/Direct (4020)	
OPTIQUE	LEDIL TIR - angle total de faisceau de 17° & 48°	N/A
VOLTAGE	120V (DP) ou 120-277V (DV ou non gradable)	120V
PILOTE	Pilote 350 mA à courant constant 350 mA, UL Recognized	
GRADATION	Gradation par phase (DP) ou de type 0-10V (DV)	Intensité variable
LM-79	Sur demande	
GARANTIE	5 ans (sur les composantes électroniques)	
CERTIFICATION	Reconnu par CSA	