

12640-4X1

PROJECT PROJET

SPEC TYPE

NOTES



COMBINAISONS DE FINIS



BLK-BLK-BLK

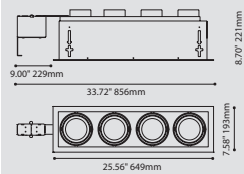


WH-BLK-BLK

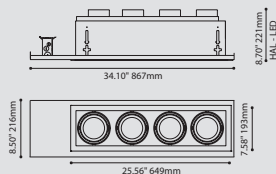


WH-WH-WH

159X REMODELING 159X RÉNOVATION



169X NEW CONSTRUCTION 169X NOUVELLE CONSTRUCTION



□ 6.9" x 24.4"
(175mm x 620mm)

ORDERING SPECIFICATION SPÉCIFICATION DE COMMANDE

CODE

MODEL MODÈLE

12640-4X1 MEGA BASS 4X1

12640-4X1

HOUSINGS BOÎTIERS

159X REMODELING
169X NEW CONSTRUCTION

LIGHT SOURCE SOURCE LUMINEUSE

MR16.50.E  50W, HAL, MR16, GU5.3 BASE
MR16LED.16.E  16W MAX., LED, MR16, GU5.3 BASE
LED.8  8W, LED
LED.11  11W, LED

COLOR TEMPERATURE TEMPÉRATURE DE COULEUR

FOR LED ONLY

27 2700K
30 3000K
35 3500K
40* 4000K
*LONGER LEAD TIME MAY APPLY, PLEASE CONTACT YOUR EUREKA REPRESENTATIVE

COLOR RENDERING INDEX (CRI) INDICE DE RENDU DE COULEUR (IRC)

FOR LED ONLY

90* 90+ CRI
*MANDATORY FOR LED 8W

ANGLE BEAM ANGLE DE FAISCEAU

FOR LED ONLY

LED.8
17 17°
48 48°

LED.11

20 20°
40 40°

VOLTAGE VOLTAGE

120V 120 VOLT
277V* 277 VOLT
*NOT AVAILABLE IN LED 8W WITHOUT DV DRIVER OPTION

DIMMING OPTION OPTION DE GRADATION

FOR LED ONLY

DV 0-10V DIMMING (120V-277V)
DP PHASE DIMMING (120V ONLY)
LED DIMMING DRIVER IS OPTIONAL FOR 12640-1X1 8W AND STANDARD FOR 12640-1X1 11W, 12640-2X1, 12640-3X1 AND 12640-4X1, PLEASE SPECIFY YOUR DIMMING TYPE.

TRIM FINISH FINI CADRE

BLK BLACK
WH WHITE

RING FINISH FINI ANNEAUX

BLK BLACK
WH WHITE

ENCLOSURE FINISH FINI BOÎTIER

BLK BLACK
WH WHITE

ACCESSORY ACCESSOIRE

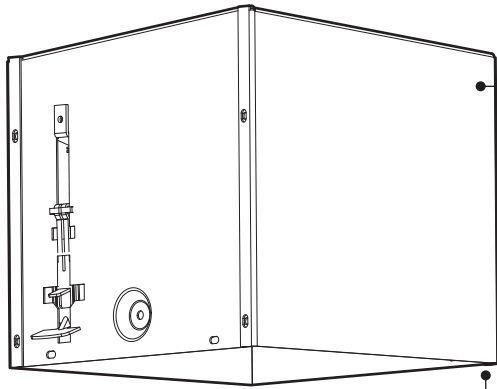
19640-4X1 FLUSH™ MOUNTING ACCESSORY (FOR 12640-4X1)

PRODUCT CHARACTERISTICS CARACTÉRISTIQUES DU PRODUIT



The contemporary and functional Mega Bass multiple recessed fixture, features up to four fully directional light sources in linear format. Due to the larger format, a wide range light sources are available including both standard and high performance Eureka LED modules with optional phase dimming (DP - 120V only) or 0-10V dimming (DV), as well as, MR16 Lamp types (LED retrofit or halogen). Dimming available for all light sources. To maximize design flexibility, the rings and the finish trim of the Mega Bass are available in black or white, while the enclosure is offered in reflective white or discreet black.

Using our patented automatically locating mounting clip, Mega Bass is designed for quick installation in both new construction ceilings (169X) or when remodeling (159X) in an existing ceiling. For a clean look without the hassle of a trim-less installation, the Bass fixture can be installed using our Flush™ mounting accessory (19640).



CONTEMPORARY DESIGN

Recessed multiple fixture.
Features up to 2 fully directional light sources.

LIGHT SOURCES

HAL: 50W
LED: 8W / 11W
(Optional dimming available with Led)

MANY POSSIBLE FINISH COMBINATIONS:

ENCLOSURE

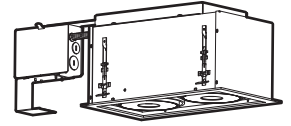
Discreet black / Reflective white

RING

Black / White
Indépendants et directionnels

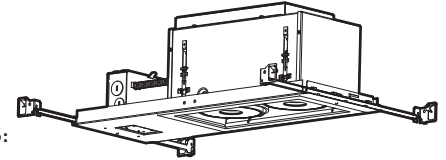
TRIM

Black / White
Highly decorative, or can be hidden



REMODELING OPTION

Unique automatically locating mounting clips for quick installation



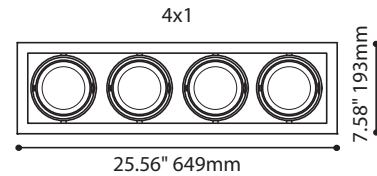
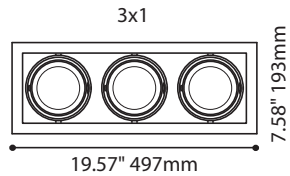
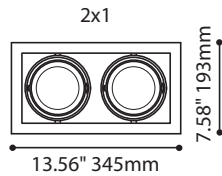
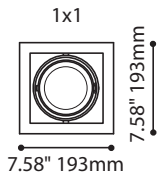
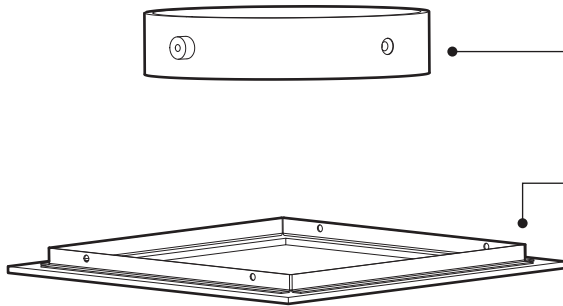
NEW CONSTRUCTION OPTION

Mounting plate available for split shipping in advance



FLUSH™ MOUNTING ACCESSORY

Quick and clever design for a trim-less look



SPECIFICATIONS

	LED 8W	LED 11W
LIGHT SOURCE	4 x Nichia	1 x Nichia Chip On Board (COB) NSBLL066A
OPTIC	TIR - 20° & 38° total beam angle	TIR - 20° & 40° total beam angle
MODULE	UL recognized - made in USA	
LUMENS (DELIVERED)	945 lm (4000K)	1629 lm (4000K)
EFFICIENCY	95.45 lm/w (4000K)	110.81 lm/w (4000K)
CCT	ANSI 4000K 3-Step MacAdam Ellipse Binning	
CRI	84 CRI (typical)	83 CRI (typical)
DRIVER (NON-DIMMING)	700mA Constant Current	350 mA Constant Current
DRIVER (DIMMING)	0-10V Dimming (DV) / Phase Dimming (DP)	
VOLTAGE	120V or 277V	
L70 / LM-79	50 000 hrs / On request	50 000 hrs / On request
CERTIFICATION / WARRANTY	c-UL-us / 5 year	

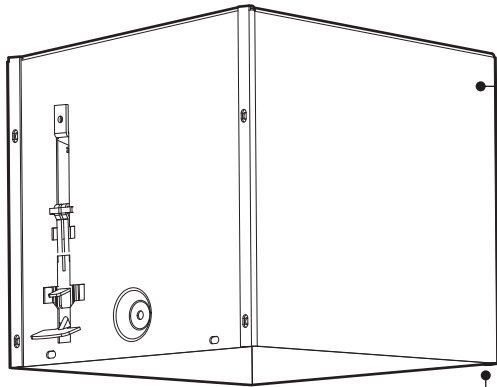
*Please consult factory for dimming & controller options.



225 de Liège Ouest, Suite #200
Montréal (QC), Canada H2P 1H4
Tel : 514.385.3515 Fax : 514.385.4169
www.eurekalighting.com



12640-XXX
MEGA BASS



DESIGN CONTEMPORAIN

L'encastré multiple Bass comprend quatre lampes orientables en configuration linéaire ou carrée.

SOURCE LUMINEUSE

HAL: 50W
LED: 8W / 11W
(DEL offertes avec options de gradation)

PLUSIEURS COMBINAISONS DE FINITION POSSIBLES:

BOITIERS

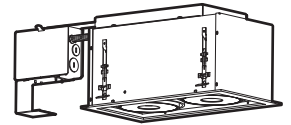
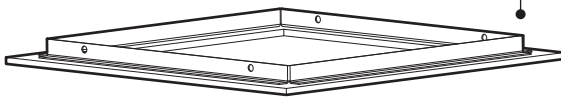
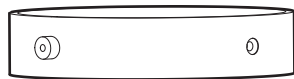
Noir discret / Blanc réfléchit

ANNEAUX

Noir / Blanc
Indépendants et directionnels

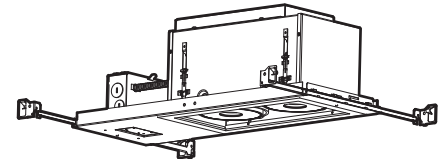
CADRES

Noir / Blanc
Décoratifs ou cachés



RÉNOVATION

Système breveté exclusif de fixation pour installation rapide



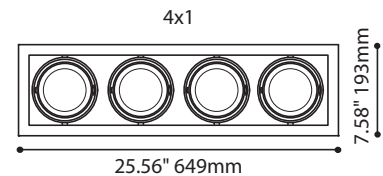
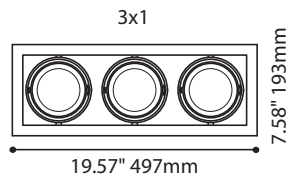
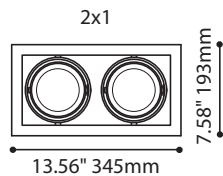
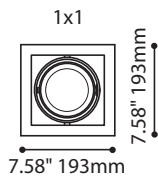
NOUVELLE CONSTRUCTION

La plaque de montage peut être expédié séparément du boîtier, afin d'anticiper l'installation du gypse



L'ACCESSOIRE DE MONTAGE FLUSH™

Conception rapide et intelligente pour un look sans bordure



CARACTÉRISTIQUES

	LED 8W	LED 11W
SOURCE LUMINEUSE	4 x Nichia	1 x Nichia Chip On Board (COB) NSBLL066A
OPTIQUE	TIR - 20° & 38° angle de faisceau	TIR - 20° & 40° angle de faisceau
MODULE	UL reconnu- Fabriqué aux États-Unis	
LUMENS (LIVRÉ)	945 lm (4000K)	1629 lm (4000K)
EFFICACITÉ	95.45 lm/w (4000K)	110.81 lm/w (4000K)
CCT	ANSI 4000K 3-Step MacAdam Ellipse Binning	
IRC	84 CRI (typique)	83 CRI (typique)
PILOTE (SANS GRADATION)	700mA Courant Constant	350 mA Courant Constant
PILOTE (GRADATEUR)	0-10V Gradation (DV) / Gradation Phase (DP)	
VOLTAGE	120V or 277V	
L70 / LM-79	50 000 hrs / Sur demande	50 000 hrs / Sur demande
CERTIFICATION / GARANTIE	c-UL-us / 5 ans	

*Veuillez communiquer avec votre représentant pour la liste de gradateurs compatibles.