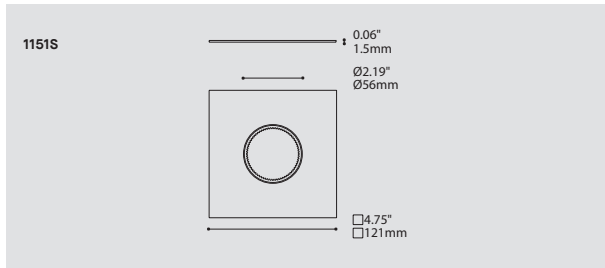


# 1151S

PROJECT PROJET
SPEC TYPE
NOTES



## BAFFLE OPTIONS



## ORDERING SPECIFICATION SPÉCIFICATION DE COMMANDE CODE

A complete unit consists of a trim (A) and a housing (C) selected according to light source, using the matrix below. Additionally, use section (B) to specify Eureka LED Modules. Accessories (D) are additional options.

### (A) TRIM ORDERING COMMANDE ENCASTRÉ

MODEL MODÈLE	1151S
1151S	SQUARE FLAT TRIM WITH DIRECTIONAL CYLINDRICAL BAFFLE

### STRUCTURE FINISH FINI STRUCTURE

CHR	CHROME
SC	SATIN CHROME
WH	WHITE

### BAFFLE FINISH FINI DÉFLECTEUR

BLK	BLACK
WH	WHITE
SAA	SATIN ALUMINUM ANODIZED

### (B) LED ORDERING COMMANDE DEL

EUREKA LED MODULES MODULES DEL EUREKA
---------------------------------------

(WATTAGE, LAMP TYPE, OTHER INFO)

LED.4		4W, LED
LED.8		8W, LED
LED.11		11W, LED

### COLOR TEMPERATURE TEMPÉRATURE DE COULEUR

27	2700K
30	3000K
35	3500K
40*	4000K

\*LONGER LEAD TIME MAY APPLY, PLEASE CONTACT YOUR EUREKA REPRESENTATIVE

### COLOR RENDERING INDEX (CRI) INDICE DE RENDU DE COULEUR (IRC)

90*	90+ CRI
-----	---------

\*MANDATORY FOR 4W & 8W

### ANGLE BEAM ANGLE DE FAISCEAU

LED.4, LED.8	
17	17°
48	48°
LED.11	
20	20°
40	40°

### (C) HOUSING ORDERING COMMANDE BOÎTIER

HOUSINGS BOÎTIERS
-------------------

Select housing code in matrix below based on light source, voltage options and housing type

### (D) ACCESSORY ORDERING COMMANDE ACCESSOIRE

ACCESSORIES ACCESSOIRES
-------------------------

1911S	FLUSH™ MOUNTING ACCESSORY
193X	LENS FOR HAL AND GZ10 LAMP TYPE (MAX 3 LENSES PER TRIM)

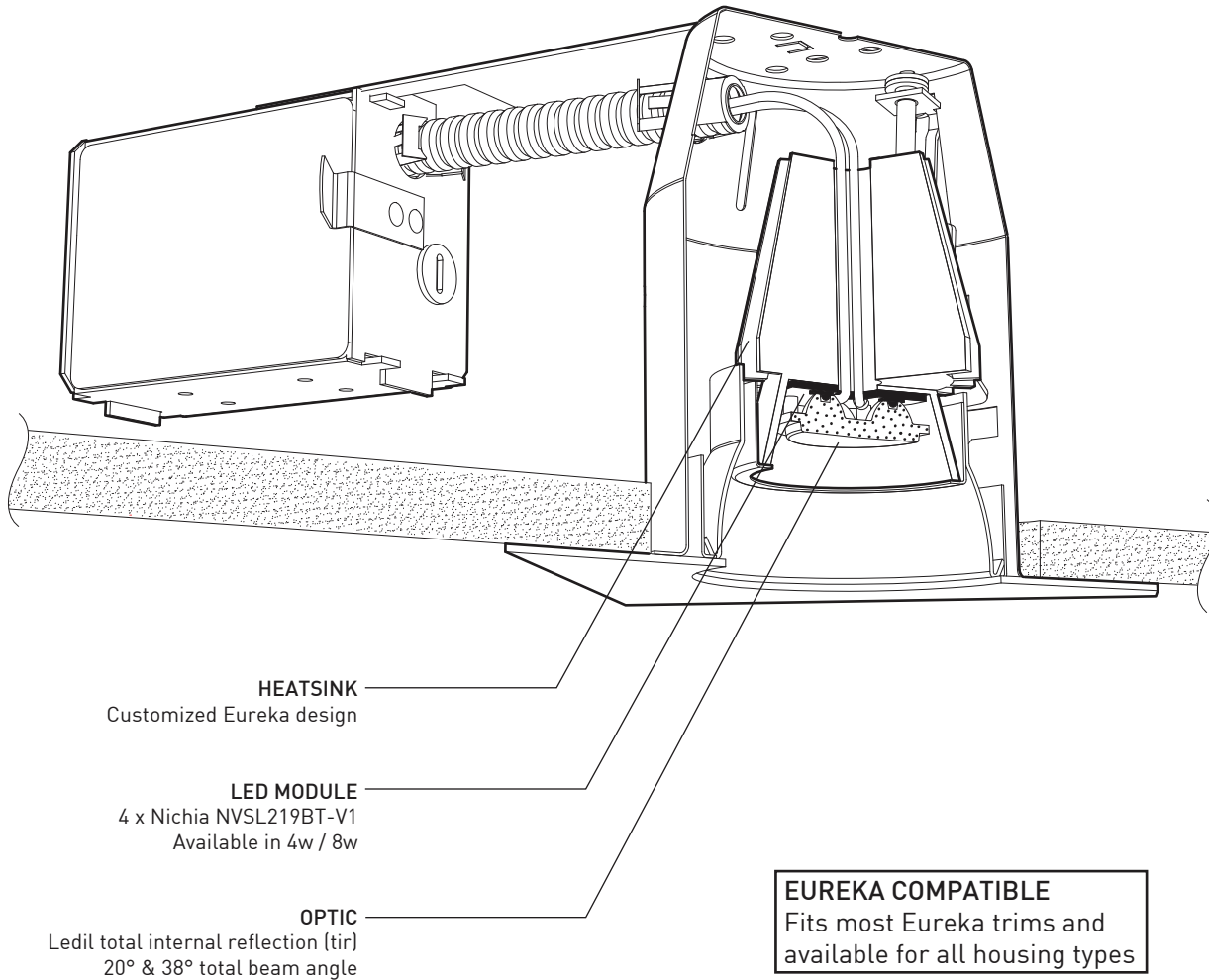


## HOUSING SELECTION MATRIX MATRICE DE SÉLECTION DU BOÎTIER

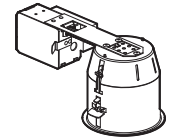
LIGHT SOURCE SOURCE LUMINEUSE	VOLTAGE VOLTAGE	REMODELING RÉNOVATION	NEW INSTALLATION NOUVELLE INSTALLATION	NEW INSTALLATION (AIR RETURN PLENUM) NOUVELLE INSTALLATION (ESPACE A RETOUR D'AIR)	NEW INSTALLATION (INSULATED CEILING + AIR TIGHT) NOUVELLE INSTALLATION (HERMÉTIQUE + PLAFOND ISOLÉ)
(WATTAGE, LAMP TYPE, LAMP FORM, BASE TYPE, OTHER INFO)					
35W, HAL, MR16, GU5.3 Base	120V ELECT.				1810C-0.35.E
35W, HAL, MR16, GU5.3 Base	277V ELECT.				1810C-0.35.E.3
50W, HAL, MR16, GU5.3 Base	120V ELECT.	1500C-0.35.E	1600C-0.35.E	1710C3-0.35.E	1820C-0.35.E
50W, HAL, MR16, GU5.3 Base	277V ELECT.	1500C-0.35.E.3	1600C-0.35.E.3	1710C3-0.35.E.3	1820C-0.35.E.3
35W, HAL, MR16, GZ10 Base	120V				1811C-2.35
50W, HAL, MR16, GZ10 Base	120V	1501C-2.35	1601C-2.35	1711C3-2.35	1821C-2.35
4W, EUREKA LED MODULE	120V ELECT.	1504C-9.35.4	1604C-9.35.4	1704C3-9.35.4	1804C-9.35.4
4W, EUREKA LED MODULE	277 ELECT.	1504C-9.35.4.3	1604C-9.35.4.3	1704C3-9.35.4.3	1804C-9.35.4.3
4W, EUREKA LED MODULE, Phase Dimming	120V ELECT.	1524C-9.35.4.DP	1604C-9.35.4.DP	1704C3-9.35.4.DP	1804C-9.35.4.DP
4W, EUREKA LED MODULE, 0-10V Dimming	120-277V ELECT.	1524C-9.35.4.DV.8	1604C-9.35.4.DV.8	1704C3-9.35.4.DV.8	1804C-9.35.4.DV.8
8W, EUREKA LED MODULE	120V ELECT.	1504C-9.35.8	1604C-9.35.8	1704C3-9.35.8	1804C-9.35.8
8W, EUREKA LED MODULE, Phase Dimming	120V ELECT.	1524C-9.35.8.DP	1604C-9.35.8.DP	1704C3-9.35.8.DP	1804C-9.35.8.DP
8W, EUREKA LED MODULE, 0-10V Dimming	120-277V ELECT.	1524C-9.35.8.DV.8	1604C-9.35.8.DV.8	1704C3-9.35.8.DV.8	1804C-9.35.8.DV.8
11W, EUREKA LED MODULE, Phase Dimming	120V ELECT.	1604-9.35.11.DP	1604-9.35.11.DP	1704C3-9.35.11.DP	1804-9.35.11.DP
11W, EUREKA LED MODULE, 0-10V Dimming	120-277V ELECT.	1604-9.35.11.DV.8	1604-9.35.11.DV.8	1704C3-9.35.11.DV.8	1804-9.35.11.DV.8
16W Max., LED, MR16, GU5.3 Base	120V ELECT.	1504C-0.35.E	1604C-0.35.E	1704C3-0.35.E	1804C-0.35.E
16W Max., LED, MR16, GU5.3 Base	277V ELECT.	1504C-0.35.E.3	1604C-0.35.E.3	1704C3-0.35.E.3	1804C-0.35.E.3



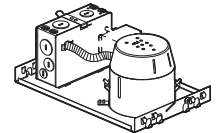
## SPECIFICATION



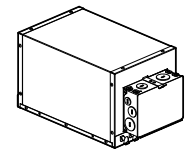
**EUREKA COMPATIBLE**  
Fits most Eureka trims and available for all housing types



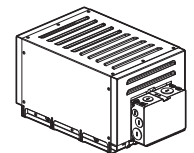
REMODELING



NEW CONSTRUCTION



NEW CONSTRUCTION  
(AIR RETURN PLENUMS & AIRTIGHT-NON IC)



NEW CONSTRUCTION  
(AIRTIGHT-IC)

### SPECIFICATIONS

	4w	8w
LED EMITTER	4 x Nichia NVSL219BT-V1 (5w total system wattage)	4 x Nichia NVSL219BT-V1 (10w total system wattage)
OPTIC	LEDIL TIR - 20° & 38° total beam angle	LEDIL TIR - 20° & 38° total beam angle
MODULE	UL recognized - made in USA	UL recognized - made in USA
LUMENS (DELIVERED)	400 lm	715 lm
EFFICACY	100 lm/w	90 lm/w
CCT	ANSI 3-Step MacAdam Ellipse Binning	ANSI 3-Step MacAdam Ellipse Binning
CRI	84 CRI	84 CRI
DRIVER (NON-DIMMING)	350 mA Constant Current	700mA Constant Current
DRIVER (DIMMING)	0-10V Dimming / Phase Dimming	0-10V Dimming / Phase Dimming
VOLTAGE	120V or 277V	120V or 277V
L70 / LM-79	More than 60 000 hrs / Available	More than 60 000 hrs / Available
CERTIFICATION / WARRANTY	c-UL-us / 5 year	c-UL-us / 5 year

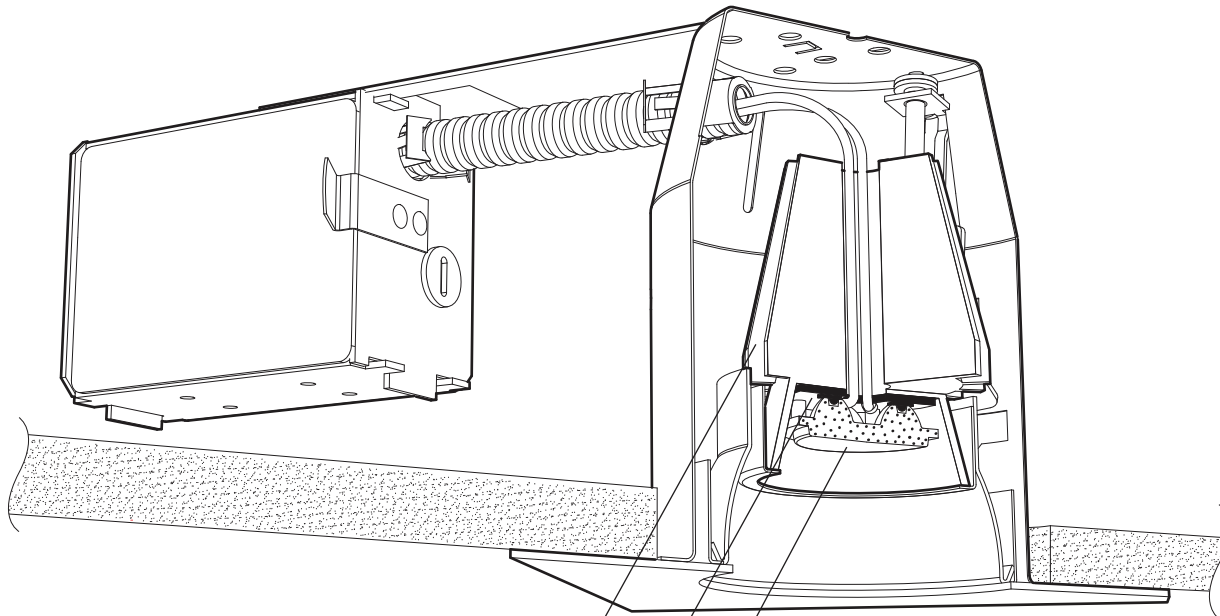
\*Please consult factory for dimming & controller options.



225 de Liège Ouest, Suite #200  
Montréal (QC), Canada H2P 1H4  
Tel : 514.385.3515 Fax : 514.385.4169  
[www.eurekalighting.com](http://www.eurekalighting.com)



LED.X.XX.XX  
LED.X.XX.XX.TL

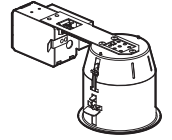


**RADIATEUR**  
Conception personnalisée par Eureka

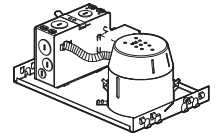
**MODULE DEL**  
4 x Nichia NVSL219BT-V1  
Disponible 4w / 8w

**OPTIQUE**  
PMMA RTI (réflexion totale interne)  
par Ledil. Angle total de faisceau  
lumineux de 20° & 38°

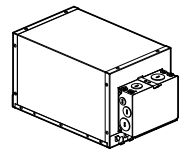
**COMPATIBILITÉ EUREKA**  
Convient à la plupart des  
encastrés Eureka. Disponible  
pour tous les types de boîtiers.



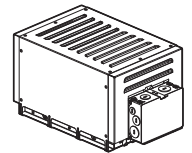
RÉNOVATION



NOUVELLE CONSTRUCTION



NOUVELLE CONSTRUCTION  
(CHAMBRE À AIR &  
ÉTANCHÉITÉ - PLAFOND NON-ISOLÉ)

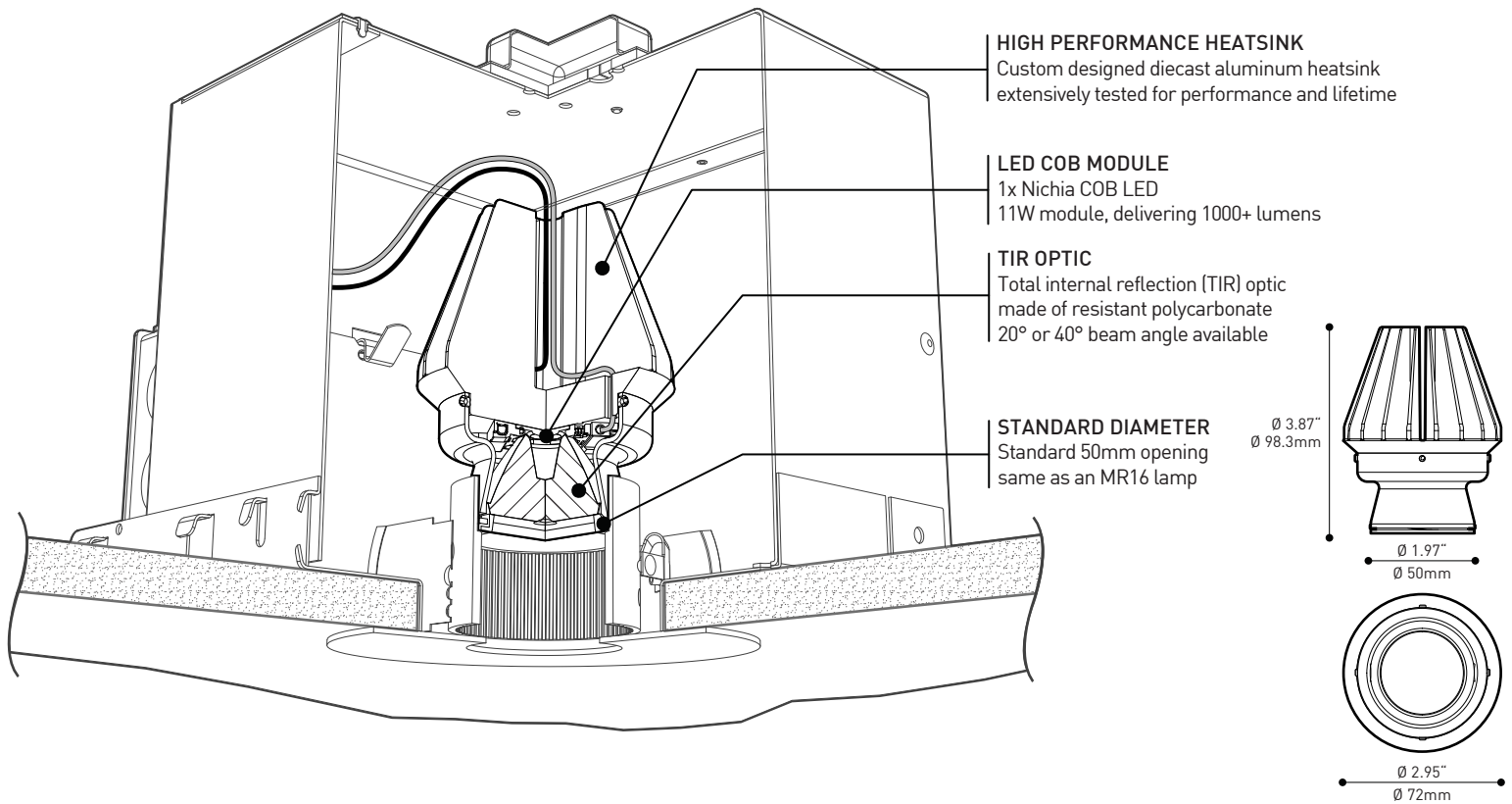


NOUVELLE CONSTRUCTION  
(ÉTANCHÉITÉ - PLAFOND ISOLÉ)

### SPÉCIFICATIONS

	4w	8w
ÉMETTEUR DEL	4 x Nichia NVSL219BT-V1 (5w totale système puissance)	4 x Nichia NVSL219BT-V1 (10w totale système puissance)
OPTIQUE	LEDIL TIR - angle total de faisceau de 20° ou 38°	LEDIL TIR - angle total de faisceau de 20° ou 38°
MODULE	Reconnu par UL - Fabriqué aux États-Unis	Reconnu par UL - Fabriqué aux États-Unis
LUMENS (LIVRÉ)	400 lm	715 lm
EFFICACITÉ	100 lm/w	90 lm/w
CCT	ANSI 3-Step MacAdam Ellipse Binning	ANSI 3-Step MacAdam Ellipse Binning
IRC	84 IRC	84 IRC
PILOTE (SANS GRADATION)	350 mA Courant Constant	700mA Courant Constant
PILOTE (GRADATION)	Gradation 0-10V / Gradation phase	Gradation 0-10V / Gradation phase
VOLTAGE	120V ou 277V	120V ou 277V
L70 / LM-79	Plus que 60 000 hrs / Disponible	Plus que 60 000 hrs / Disponible
CERTIFICATION / GARANTIE	c-UL-us / 5 ans	c-UL-us / 5 ans

\*Pour d'autres options de gradation, veuillez consulter l'usine.



**HIGH PERFORMANCE HEATSINK**  
Custom designed diecast aluminum heatsink extensively tested for performance and lifetime

**LED COB MODULE**  
1x Nichia COB LED  
11W module, delivering 1000+ lumens

**TIR OPTIC**  
Total internal reflection (TIR) optic made of resistant polycarbonate  
20° or 40° beam angle available

**STANDARD DIAMETER**  
Standard 50mm opening same as an MR16 lamp

Ø 3.87"  
Ø 98.3mm

Ø 1.97"  
Ø 50mm

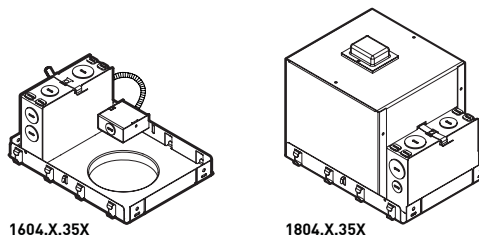
Ø 2.95"  
Ø 72mm

### EUREKA COMPATIBLE TRIMS

1121A	1112AD	1173A
1181A	1153A	1173AD
1111A	1153AD	1173S
1151A	1153S	1173SD
1151S	1153SD	BASS*
1112A		MEGA BASS

\* LIMITED ADJUSTMENT ANGLE

### EUREKA COMPATIBLE HOUSINGS



1604.X.35X

1804.X.35X



Get the latest compatible trims & compatible housings lists by consulting the eureka website:

[www.eurekalkingting.com](http://www.eurekalkingting.com)

## CHARACTERISTICS

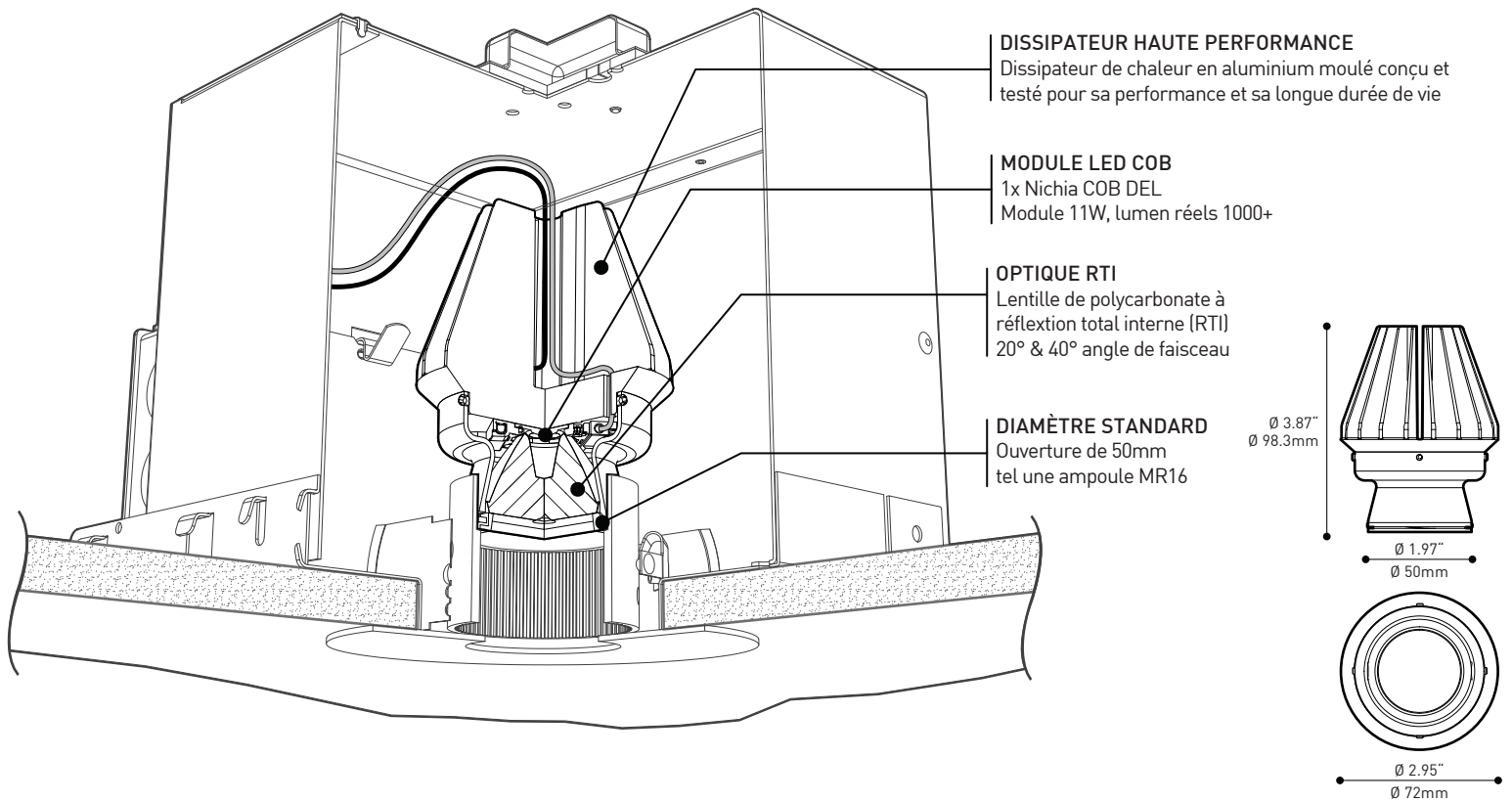
11w

LED EMITTER**	1x Nichia Chip On Board (COB) LED - 14w total system wattage
OPTICS	TIR - 20° & 40° beam angle
MODULE	UL recognized - Made in USA
LUMENS**	1067 delivered lumens
EFFICACY	90 lumens / Watt
CRI	83 CRI typical
DRIVER (DIMMING)	Hatch (Phase dimming) 120V only ***
DRIVER (DIMMING)	Hatch (0-10V dimming) 120-277V ***
VOLTAGE	120V or 277V
L70 / LM-79	50 000 hrs / Available
CERTIFICATION / WARRANTY	C-UL-us / 5 years

\*\* VALUES VALIDATED ON SSL LIGHTING FACTS LABELS. 1067 DELIVERED LUMENS WITH 40 DEGREES OPTIC. LUMENS MAY VARY WITH TRIM USED.  
\*\*\* PLEASE CONSULT FACTORY FOR DIMMING & CONTROLLER OPTIONS.



LED.11.XX.XX

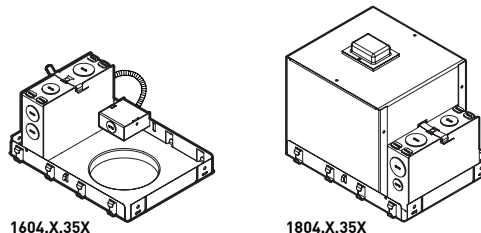


### ENCASTRÉE EUREKA COMPATIBLES

1121A	1112AD	1173A
1181A	1153A	1173AD
1111A	1153AD	1173S
1151A	1153S	1173SD
1151S	1153SD	BASS*
1112A		MEGA BASS

\* ANGLE DE PIVOT LIMITÉ

### BOÎTIERS EUREKA COMPATIBLES



Consultez la mise à jour de la liste des garnitures et boîtiers compatibles:

[www.eurekalkingting.com](http://www.eurekalkingting.com)

## CARACTÉRISTIQUES 11w

SOURCE LUMINEUSE**	1x Nichia Chip On Board (COB) DEL- 14w total système
OPTIQUES	RTI- 20° & 40° angle de faisceau
MODULE	UL reconnu- Fabriqué aux États-Unis
LUMENS**	1067 lumens réels
EFFICACITÉ	90 lumens / Watt
IRC	83 IRC typique
PILOTE (GRADATEUR)	Hatch (Gradation de type Phase) 120V seulement ***
PILOTE (GRADATEUR)	Hatch (Gradation de type 0-10V) 120-277V ***
VOLTAGE	120V or 277V
L70 / LM-79	50 000 heures / disponible
CERTIFICATION / GARANTIE	C-UL-us / 5 ans

\*\* VALEURS VALIDÉES SUR L'ÉTIQUETTE SSL LIGHTING FACTS. 1067 LUMENS RÉELS AVEC L'OPTIQUE 40 DEGRÉS. LES LUMENS PEUVENT VARIER SELON LA GARNITURE UTILISÉ.  
\*\*\* VEUILLEZ COMMUNIQUER AVEC VOTRE REPRÉSENTANT POUR LA LISTE DES GRADATEURS COMPATIBLES.