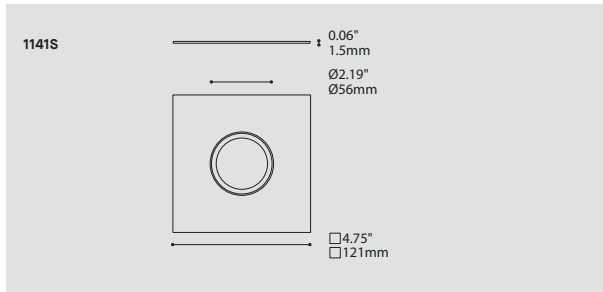


# 1141S

PROJECT PROJÉT
SPEC TYPE
NOTES



## ORDERING SPECIFICATION SPÉCIFICATION DE COMMANDE

CODE

A complete unit consists of a trim (A) and a housing (C) selected according to light source, using the matrix below. Additionally, use section (B) to specify Eureka LED Modules. Accessories (D) are additional options.

<b>(A) TRIM ORDERING COMMANDE ENCASTRÉ</b>		
<b>MODEL MODÈLE</b>		1141S
1141S	DIRECTIONAL SQUARE FLAT TRIM	

<b>STRUCTURE FINISH FINI STRUCTURE</b>		
<b>SC</b>	SATIN CHROME	
<b>WH</b>	WHITE	

<b>(B) LED ORDERING COMMANDE DEL</b>		
<b>EUREKA LED MODULES MODULES DEL EUREKA</b>		
<small>(WATTAGE, LAMP TYPE, OTHER INFO)</small>		
<b>LED.4</b>	4W, LED	
<b>LED.8</b>	8W, LED	

<b>COLOR TEMPERATURE TEMPÉRATURE DE COULEUR</b>		
<b>30</b>	3000K	
<b>35</b>	3500K	
<b>40</b>	4000K	

<b>ANGLE BEAM ANGLE DE FAISCEAU</b>		
<b>17</b>	17°	
<b>48</b>	48°	

<b>(C) HOUSING ORDERING COMMANDE BOÎTIER</b>		
<b>HOUSINGS BOÎTIERS</b>		
Select housing code in matrix below based on light source, voltage options and housing type		

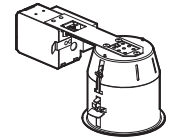
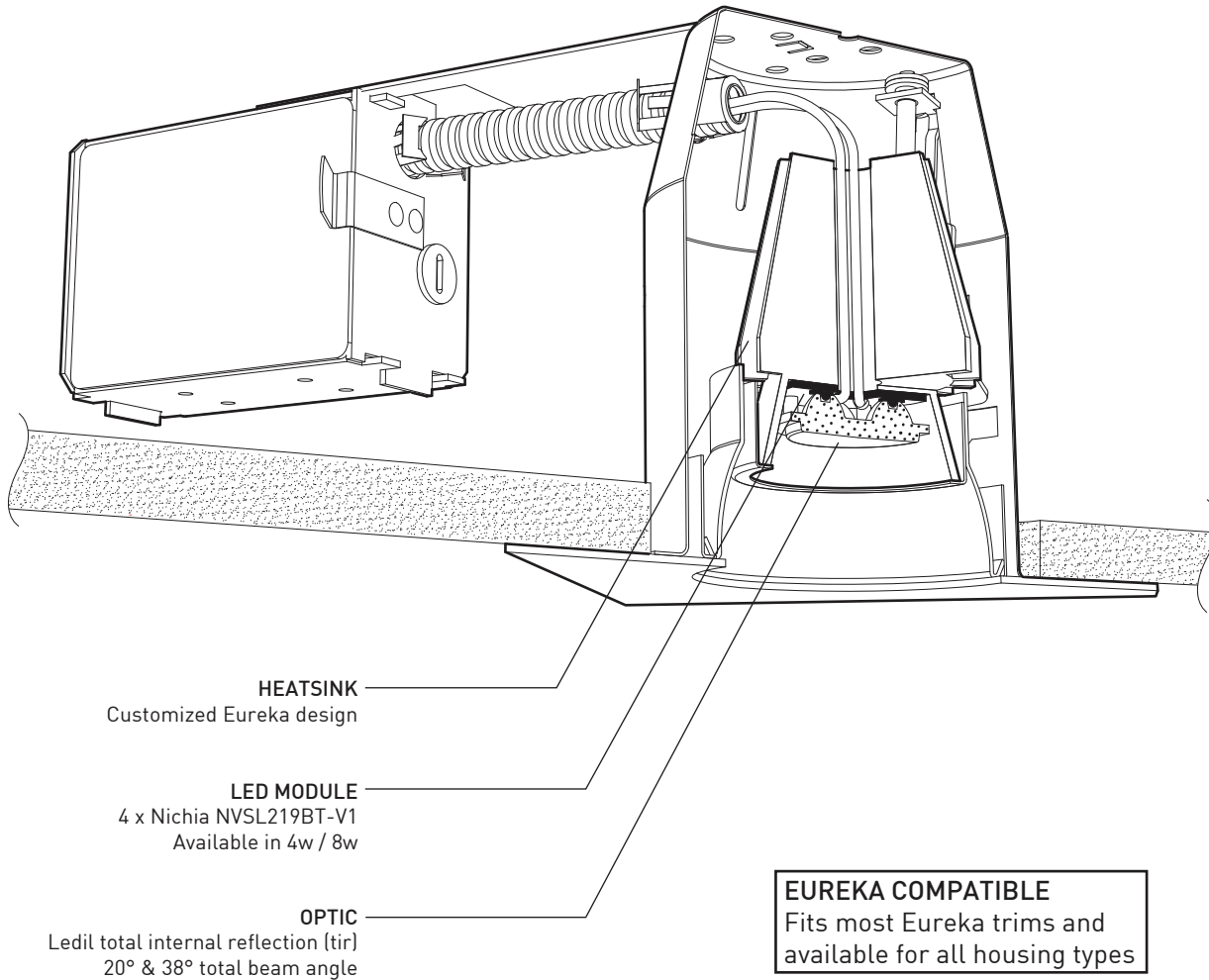
<b>(D) ACCESSORY ORDERING COMMANDE ACCESSOIRE</b>		
<b>ACCESSORIES ACCESSOIRES</b>		
<b>1911S</b>	FLUSH™ MOUNTING ACCESSORY	
<b>193X</b>	LENS FOR HAL AND GZ10 LAMP TYPE (MAX 3 LENSES PER TRIM)	

## PRODUCT CHARACTERISTICS CARACTÉRISTIQUES DU PRODUIT

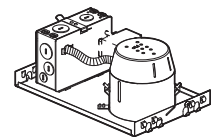


## HOUSING SELECTION MATRIX MATRICE DE SÉLECTION DU BOÎTIER

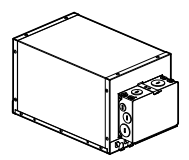
LIGHT SOURCE SOURCE LUMINEUSE	VOLTAGE VOLTAGE	REMODELING RÉNOVATION	NEW INSTALLATION NOUVELLE INSTALLATION	NEW INSTALLATION (AIR RETURN PLENUM) NOUVELLE INSTALLATION (ESPACE A RETOUR D'AIR)	NEW INSTALLATION (INSULATED CEILING + AIR TIGHT) NOUVELLE INSTALLATION (HERMÉTIQUE + PLAFOND ISOLÉ)
<small>(WATTAGE, LAMP TYPE, LAMP FORM, BASE TYPE, OTHER INFO)</small>					
35W, HAL, MR16, GU5.3 Base	120V ELECT.				1810C-0.35.E
35W, HAL, MR16, GU5.3 Base	277V ELECT.				1810C-0.35.E.3
50W, HAL, MR16, GU5.3 Base	120V ELECT.	1500C-0.35.E		1710C3-0.35.E	1820C-0.35.E
50W, HAL, MR16, GU5.3 Base	277V ELECT.	1500C-0.35.E.3		1710C3-0.35.E.3	1820C-0.35.E.3
35W, HAL, MR16, GZ10 Base	120V				1811C-2.35
50W, HAL, MR16, GZ10 Base	120V	1501C-2.35		1711C3-2.35	1821C-2.35
4W, EUREKA LED MODULE	120V ELECT.	1504C-9.35.4		1704C3-9.35.4	1804C-9.35.4
4W, EUREKA LED MODULE	277 ELECT.	1504C-9.35.4.3		1704C3-9.35.4.3	1804C-9.35.4.3
4W, EUREKA LED MODULE, Phase Dimming	120V ELECT.	1524C-9.35.4.DP		1704C3-9.35.4.DP	1804C-9.35.4.DP
4W, EUREKA LED MODULE, 0-10V Dimming	120-277V ELECT.	1524C-9.35.4.DV.8		1704C3-9.35.4.DV.8	1804C-9.35.4.DV.8
8W, EUREKA LED MODULE	120V ELECT.	1504C-9.35.8		1704C3-9.35.8	1804C-9.35.8
8W, EUREKA LED MODULE, Phase Dimming	120V ELECT.	1524C-9.35.8.DP		1704C3-9.35.8.DP	1804C-9.35.8.DP
8W, EUREKA LED MODULE, 0-10V Dimming	120-277V ELECT.	1524C-9.35.8.DV.8		1704C3-9.35.8.DV.8	1804C-9.35.8.DV.8
16W Max., LED, MR16, GU5.3 Base	120V ELECT.	1504C-0.35.E		1704C3-0.35.E	1804C-0.35.E
16W Max., LED, MR16, GU5.3 Base	277V ELECT.	1504C-0.35.E.3		1704C3-0.35.E.3	1804C-0.35.E.3



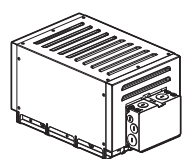
REMODELING



NEW CONSTRUCTION



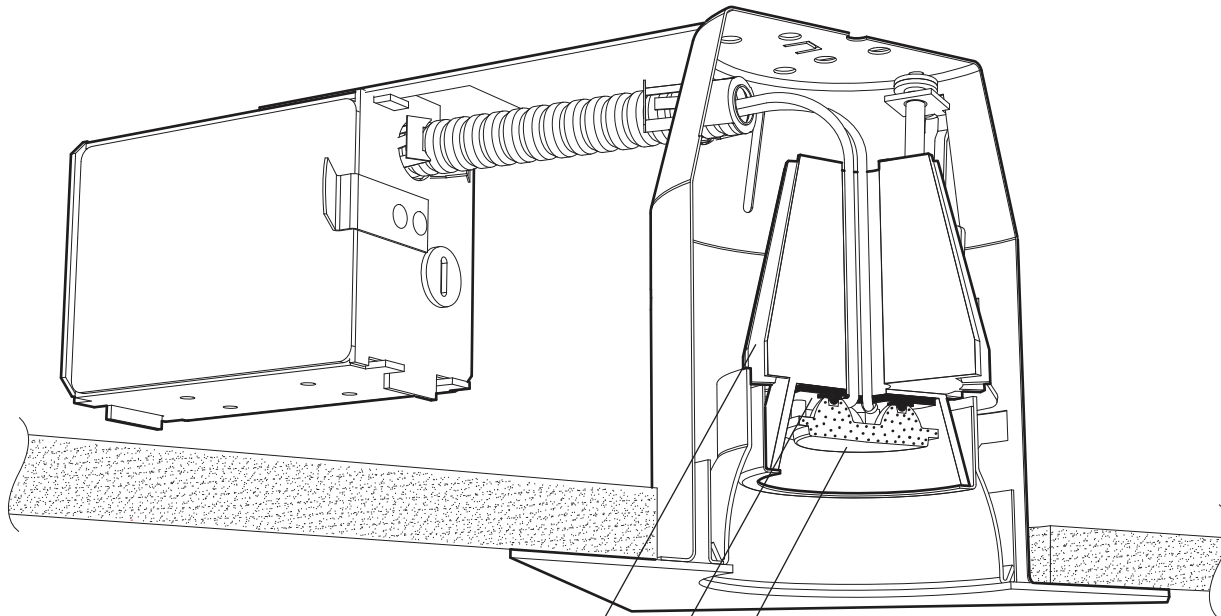
NEW CONSTRUCTION  
(AIR RETURN PLENUMS & AIRTIGHT-NON IC)



NEW CONSTRUCTION  
(AIRTIGHT-IC)

SPECIFICATIONS	4w	8w
LED EMITTER	4 x Nichia NVSL219BT-V1 (5w total system wattage)	4 x Nichia NVSL219BT-V1 (10w total system wattage)
OPTIC	LEDIL TIR - 20° & 38° total beam angle	LEDIL TIR - 20° & 38° total beam angle
MODULE	UL recognized - made in USA	UL recognized - made in USA
LUMENS (DELIVERED)	400 lm	715 lm
EFFICACY	100 lm/w	90 lm/w
CCT	ANSI 3-Step MacAdam Ellipse Binning	ANSI 3-Step MacAdam Ellipse Binning
CRI	84 CRI	84 CRI
DRIVER (NON-DIMMING)	350 mA Constant Current	700mA Constant Current
DRIVER (DIMMING)	0-10V Dimming / Phase Dimming	0-10V Dimming / Phase Dimming
VOLTAGE	120V or 277V	120V or 277V
L70 / LM-79	More than 60 000 hrs / Available	More than 60 000 hrs / Available
CERTIFICATION / WARRANTY	c-UL-us / 5 year	c-UL-us / 5 year

\*Please consult factory for dimming & controller options.

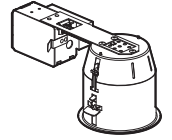


**RADIATEUR**  
Conception personnalisée par Eureka

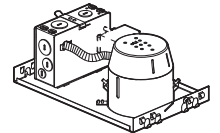
**MODULE DEL**  
4 x Nichia NVSL219BT-V1  
Disponible 4w / 8w

**OPTIQUE**  
PMMA RTI (réflexion totale interne)  
par Ledil. Angle total de faisceau  
lumineux de 20° & 38°

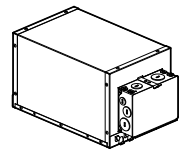
**COMPATIBILITÉ EUREKA**  
Convient à la plupart des  
encastrés Eureka. Disponible  
pour tous les types de boîtiers.



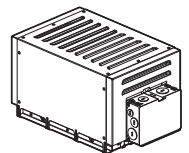
RÉNOVATION



NOUVELLE CONSTRUCTION



NOUVELLE CONSTRUCTION  
(CHAMBRE À AIR &  
ÉTANCHÉITÉ - PLAFOND NON-ISOLÉ)



NOUVELLE CONSTRUCTION  
(ÉTANCHÉITÉ - PLAFOND ISOLÉ)

### SPÉCIFICATIONS

	4w	8w
ÉMETTEUR DEL	4 x Nichia NVSL219BT-V1 (5w totale système puissance)	4 x Nichia NVSL219BT-V1 (10w totale système puissance)
OPTIQUE	LEDIL TIR - angle total de faisceau de 20° ou 38°	LEDIL TIR - angle total de faisceau de 20° ou 38°
MODULE	Reconnu par UL - Fabriqué aux États-Unis	Reconnu par UL - Fabriqué aux États-Unis
LUMENS (LIVRÉ)	400 lm	715 lm
EFFICACITÉ	100 lm/w	90 lm/w
CCT	ANSI 3-Step MacAdam Ellipse Binning	ANSI 3-Step MacAdam Ellipse Binning
IRC	84 IRC	84 IRC
PILOTE (SANS GRADATION)	350 mA Courant Constant	700mA Courant Constant
PILOTE (GRADATION)	Gradation 0-10V / Gradation phase	Gradation 0-10V / Gradation phase
VOLTAGE	120V ou 277V	120V ou 277V
L70 / LM-79	Plus que 60 000 hrs / Disponible	Plus que 60 000 hrs / Disponible
CERTIFICATION / GARANTIE	c-UL-us / 5 ans	c-UL-us / 5 ans

\*Pour d'autres options de gradation, veuillez consulter l'usine.