

BLOOM 4769

QUICKSHIP

PROJECT PROJET

SPEC TYPE

NOTES

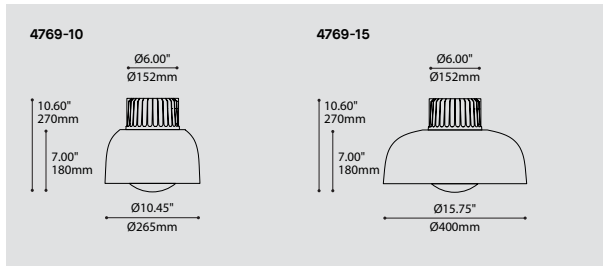


FINISH FINI



BLKE

WHE



ORDERING SPECIFICATION SPÉCIFICATION DE COMMANDE

CODE

QUICKSHIP

QS5 QUICKSHIP 5 DAYS - MAXIMUM 5 UNITS QUICKSHIP 5 JOURS - MAXIMUM 5 UNITÉS
 QS10 QUICKSHIP 10 DAYS - MAXIMUM 20 UNITS QUICKSHIP 10 JOURS - MAXIMUM 20 UNITÉS

MODEL MODÈLE

4769-10 BLOOM 10"
 4769-15 BLOOM 15"

LIGHT SOURCE SOURCE LUMINEUSE

LED REGULAR OUTPUT

LED

COLOR TEMPERATURE TEMPÉRATURE DE COULEUR

30 3000K
 35 3500K
 40 4000K

COLOR RENDERING INDEX (CRI) INDICE DE RENDU DE COULEUR (IRC)

80 80+ CRI

80

VOLTAGE VOLTAGE

120V 120 VOLT
 277V 277 VOLT

DIMMING OPTION OPTION DE GRADATION

DV 0-10V DIMMING (120V-277V)
 DP PHASE DIMMING (120V ONLY)

LED DIMMING DRIVER IS STANDARD IN THIS PRODUCT, PLEASE SPECIFY YOUR DIMMING TYPE.

HEATSINK FINISH FINI RADIATEUR

BLKE BLACK FINE TEXTURE

BLKE

SHADE FINISH FINI ABAT-JOUR (A)

BLKE BLACK FINE TEXTURE
 WHE WHITE FINE TEXTURE

(A) SHADE INTERIOR IS ALWAYS WHITE

DIFFUSER FINISH FINI DIFFUSEUR

WH WHITE

WH

ACCESSORY ACCESSOIRE

3983 DEEP JUNCTION BOX

3983

PRODUCT CHARACTERISTICS CARACTÉRISTIQUES DU PRODUIT

BIM DIM EMB IES LED

DESIGN:

Bloom is a light fixture with a soft and inviting shape. Under the colorful shade hides a luminous globe offering a generous amount of soft light. Bloom is available in two sizes and a variety of different finishes.

INSTALLATION:

Ceiling installation on deep junction box (supplied with light fixture).

LIGHT SOURCE:

A central powerful COB type light source project a powerful light, softened by the spherical polymer diffuser to create a light that is efficient, yet soft to the eye. Offered with phase or 0-10V gradation options.

CONSTRUCTION:

High-performance die-cast aluminum heatsink with textured black finish. Spun aluminum shades, offered in a wide variety of external finishes with a white internal finish for optimal light reflection.

CERTIFIED:

c-CSA-us, c-UL-us

VERSATILE

Fixture is available in many configurations, allowing it to be installed recessed in the ceiling, surface to it, or suspended.

EFFICIENTLY DESIGNED

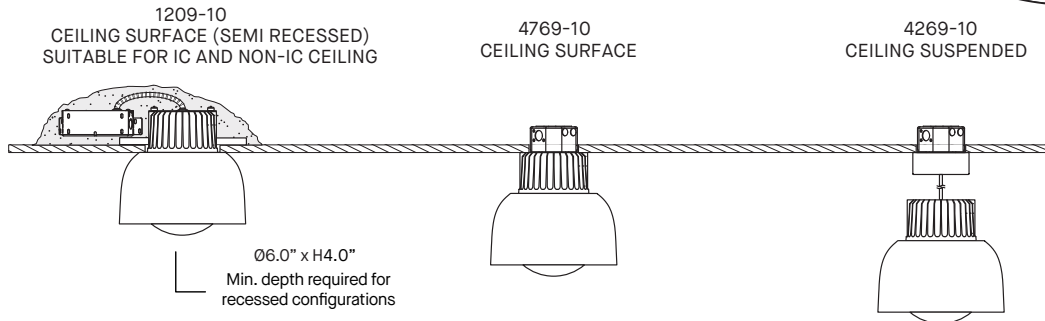
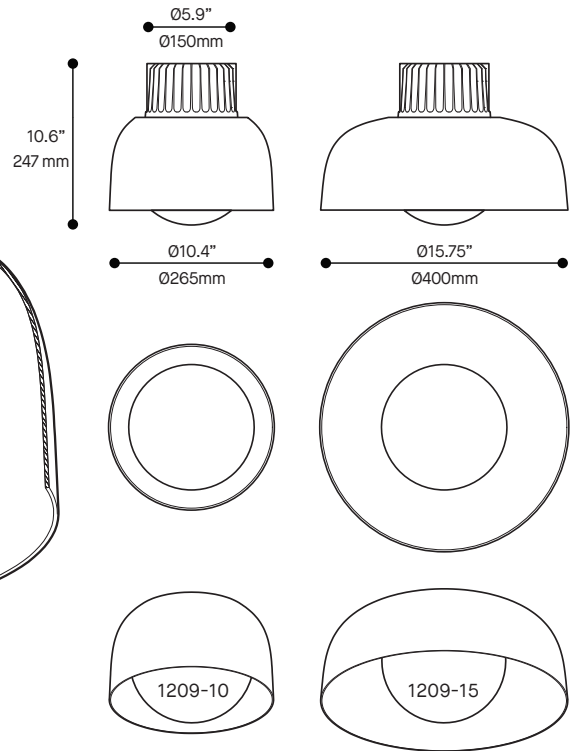
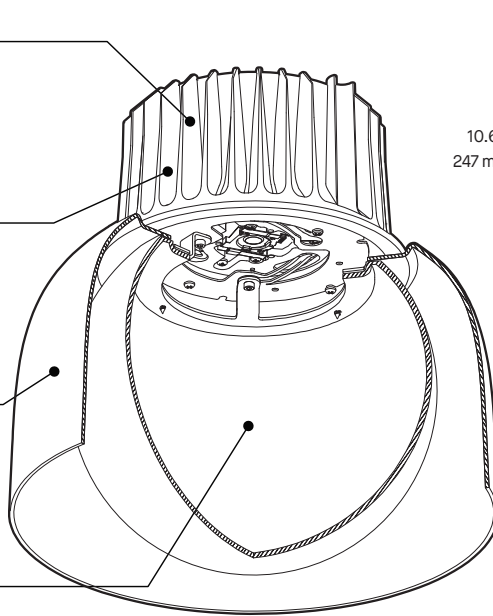
Custom designed heatsink to diffuse the heat produced by the powerful lightsource in the most efficient way.

A VARIETY OF SHADES

The spun aluminium shade is offered in two sizes and with a variety of finishes so you can find the perfect fit to your room.

A PLAYFUL GLOW

The round diffuser offers a generous amount of soft pleasant light.



PRODUCT SPECIFICATION

1209/4269/4769-10

1209/4269/4769-15

PERFORMANCE

SYSTEM WATTAGE	20 W	20 W
DELIVERED LUMENS (4000K)	1088LM	1408 LM
EFFICACY	53 LM/W	69 LM/W

OTHER INFORMATIONS

DIFFUSER	MDPE RESIN	MDPE RESIN
LUMINAIRE'S WEIGHT	8,39 LBS / 3,79 KG	9,21 LBS / 4,19 KG
L70 (LUMEN MAINTENANCE)	> 55 000 HRS	> 55 000 HRS

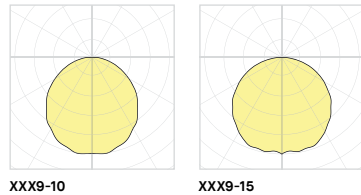
WELL & LEED STANDARD REQUIREMENTS

MAX. LUMINANCE 45°-90° OF NADIR	2467 CD/M ²	1704 CD/M ²
LIGHT QUALITY	R9 > 50 (90 CRI OPTION)	
FLICKERING TOLERANCE	LOW FLICKER, COMPLIANT TO CALIFORNIA TITLE 24	

EFFICACY MULTIPLIERS

CRI	CCT	FACTOR
80+	4000K	1.00
80+	3500K	0.99
80+	3000K	0.97
80+	2700K	0.94
90+	4000K	0.89
90+	3500K	0.86
90+	3000K	0.84
90+	2700K	0.80

LIGHT DISTRIBUTION



Visit our website for warranty terms and conditions.

VERSATILE

Le luminaire est disponible en diverses configurations, permettant une installation encastrée au plafond, à sa surface ou en suspension.

CONCEPTION EFFICACE

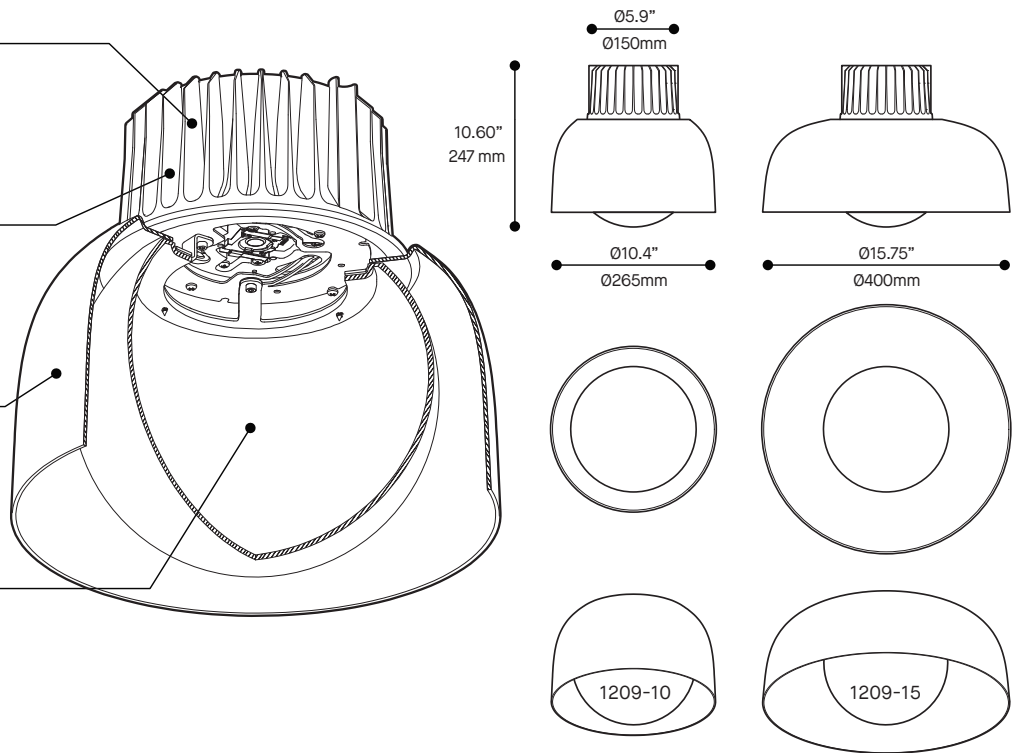
Dissipateur thermique fait sur mesure afin de dissiper la chaleur issue des deux puissantes sources lumineuses de la manière la plus efficace possible.

UNE VARIÉTÉ DE TEINTES

L'abat-jour en aluminium repoussé est disponible en deux tailles et avec une variété de finis afin que vous trouviez la solution idéale pour votre espace.

UNE LUMIÈRE LUDIQUE

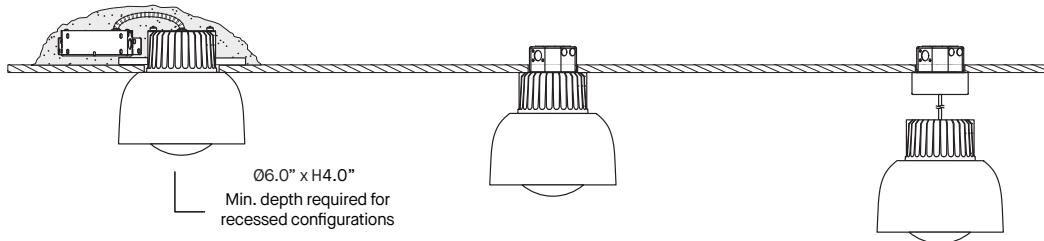
Le diffuseur rond offre une généreuse quantité de lumière douce et agréable.



1209-10
SURFACE DE PLAFOND (SEMI ENCASTRÉE)
ADAPTÉE AUX PLAFONDS ISOLÉS ET NON ISOLÉS

4769-10
CEILING SURFACE

4269-10
CEILING SUSPENDED



SPÉCIFICATION PRODUIT

1209/4269/4769-10

1209/4269/4769-15

PERFORMANCE

PUISSANCE TOTALE	20 W	20 W
LUMENS RÉELS (4000K)	1088LM	1408 LM
EFFICACITÉ	53 LM/W	69 LM/W

AUTRES INFORMATIONS

DIFFUSEUR	EN RÉSINE MDPE	EN RÉSINE MDPE
POIDS DU LUMINAIRE	8,39 LBS / 3,79 KG	9,21 LBS / 4,19 KG
L70 (MAINTENANCE DE LA LUMIÈRE)	> 55 000 H	> 55 000 H

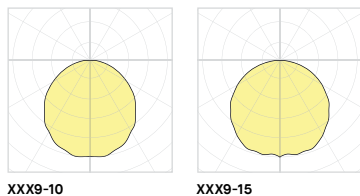
CRITÈRES DE CERTIFICATION WELL & LEED

MAX. LUMINANCE 45°-90° NADIR	2467 CD/M ²	1704 CD/M ²
QUALITÉ DE LA LUMIÈRE	R9 > 50 (OPTION 90 IRC)	
TOLÉRANCE DE CLIGNOTEMENTS	PEU DE CLIGNOTEMENT (CONFORME À CALIFORNIA TITLE 24)	

FACTEUR D'EFFICACITÉ

IRC	CCT	FACTEUR
80+	4000K	1.00
80+	3500K	0.99
80+	3000K	0.97
80+	2700K	0.94
90+	4000K	0.89
90+	3500K	0.86
90+	3000K	0.84
90+	2700K	0.80

DISTRIBUTION LUMINEUSE



Visitez notre site Web pour les termes et conditions.