

MUTE 4258-32

QUICKSHIP

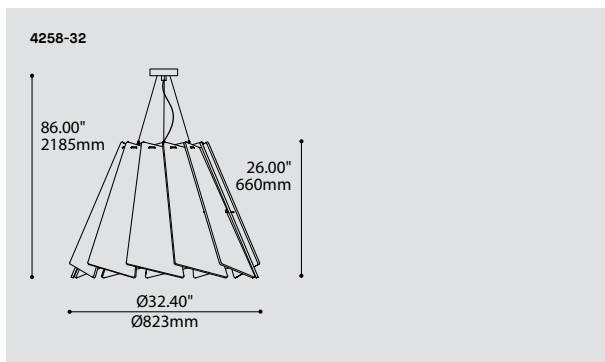
PROJECT PROJET

SPEC TYPE

NOTES



FELT FINISH FINI FEUTRE



ORDERING SPECIFICATION SPÉCIFICATION DE COMMANDE

CODE

QUICKSHIP

QS5 QUICKSHIP 5 DAYS - MAXIMUM 5 UNITS QUICKSHIP 5 JOURS - MAXIMUM 5 UNITÉS
 QS10 QUICKSHIP 10 DAYS - MAXIMUM 20 UNITS QUICKSHIP 10 JOURS - MAXIMUM 20 UNITÉS

MODEL MODÈLE

4258-32 MUTE 32"

4258-32

LIGHT SOURCE SOURCE LUMINEUSE

LED REGULAR OUTPUT

LED

COLOR TEMPERATURE TEMPÉRATURE DE COULEUR

30 3000K
 35 3500K

COLOR RENDERING INDEX (CRI) INDICE DE RENDU DE COULEUR (IRC)

80 80+ CRI

80

VOLTAGE VOLTAGE

120V 120 VOLT
 277V 277 VOLT

CONTROL OPTION OPTION DE CONTRÔLE

DV 0-10V DIMMING (120V-277V)
 DP PHASE DIMMING (120V ONLY)
 LED DIMMING DRIVER IS STANDARD IN THIS PRODUCT. PLEASE SPECIFY YOUR DIMMING TYPE

CABLE CÂBLE

AC AIRCRAFT MOUNTING & CLEAR CABLE, FIELD ADJUSTABLE

AC

CABLE LENGTH LONGUEUR DE CÂBLE

60 60" AIRCRAFT CABLE (STD LENGTH)
 ** CUSTOM AIRCRAFT CABLE LENGTH (PLEASE SPECIFY)
 FOR OVERALL LENGTH, PLEASE CONTACT YOUR EUREKA REPRESENTATIVE

MOUNTING MONTAGE

RC2* ROUND CANOPY/PAVILLON ROND
 SCREWLESS 0.5" CANOPY (2471C)
 *3983 ACCESSORY PROVIDED FOR 2471C CANOPY

RC2

CANOPY FINISH FINI PAVILLON

BLKE BLACK FINE TEXTURE
 WHE WHITE FINE TEXTURE

SHADE FINISH FINI ABAT-JOUR

ABF AZURE BLUE FELT	BYF BANANA YELLOW FELT	REF RED FELT
AWF ARCTIC WHITE FELT	CHF CHARCOAL FELT	SGF SILVER GRAY FELT
BBF BASIC BLACK FELT	NBF NAVY BLUE FELT	TGF TITANIUM GRAY FELT
BOF BLOOD ORANGE FELT	OBF OCEAN BLUE FELT	ZFF ZINFANDEL FELT
BTF BATTLESHIP GRAY FELT	PGF PEAR GREEN FELT	

ACRYLIC FINISH FINI ACRYLIQUE

WH WHITE

WH

ACCESSORY ACCESSOIRE

3983* DEEP JUNCTION BOX (PROVIDED FOR 2471C CANOPY)
 *JUNCTION BOX IS AVAILABLE FOR ADVANCE SHIPPING

PRODUCT CHARACTERISTICS CARACTÉRISTIQUES DU PRODUIT



- DESIGN:** Now offered in two formats, this soft, colorful and sound absorbing large format downlight pendant is composed of twelve felt-like acoustic panels surrounding a custom LED light source distributing a uniform and direct light.
- INSTALLATION:** Easy to install, adjust and level triple aircraft cable mounting with clip-on acoustic panels.
- LIGHT SOURCE:** Mute features a custom LED light engine supplied with a standard dimming driver (0-10V or phase).
- STRUCTURE:** Precision cut chrome top cover plate and white or black canopy.
- SHADE:** The custom CNC cut panels are made from recycled PET bottles and are recyclable. Available in charcoal.
- CERTIFIED:** c-CSA-us

Acoustic Material Color Options for Mute



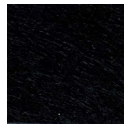
Standard colors



ABF
Azure Blue



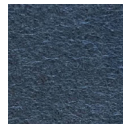
AWF
Arctic White



BBF
Basic Black



BOF
Blood Orange



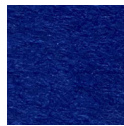
BTF
Battleship Gray



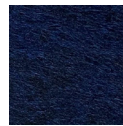
BYF
Banana Yellow



CHF
Charcoal



NBF
Navy Blue



OBF
Ocean Blue



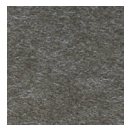
PGF
Pear Green



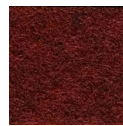
REF
Red



SGF
Silver Gray



TGF
Titanium Gray



ZFF
Zinfandel

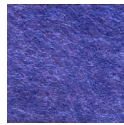
Premium colors



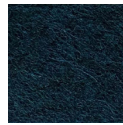
BGF
Bubble Gum



BKF
Bark Brown



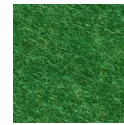
DBF
Denim Blue



DTF
Deep Teal Green



DYF
Daisy Yellow



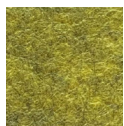
GGF
Grass Green



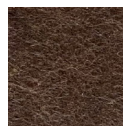
LBF
Light Beige



LGF
Lime Green



MGF
Moss Green



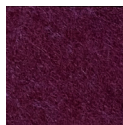
OAF
Oak Brown



PBF
Peanut Brown



PNF
Pinot Noir



PPF
Plum Purple



SBF
Sky Blue



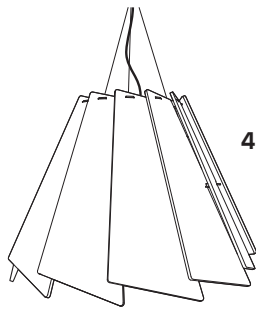
TOF
Tangerine Orange



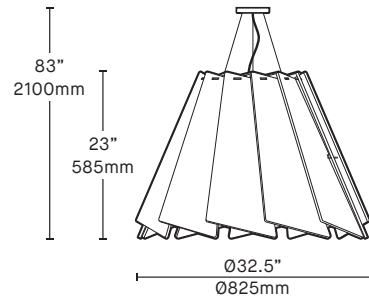
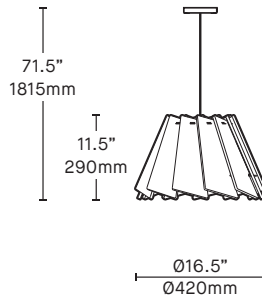
TPF
Tulip Purple

- Premium colors carry extended lead times. Additional fees may apply for expedited lead times. Please consult factory.
- Due to the dye process, colors may vary slightly from batch to batch.

MUTE 4258-XX



4258-32



NOISE REDUCTION

The Mute is composed of 12 sound absorbing panels surrounding a custom design light engine.

CANOPY OPTIONS

2473F Standard Canopy Ø5.50" x 1.35"

Mounting on a standard 4" J-Box

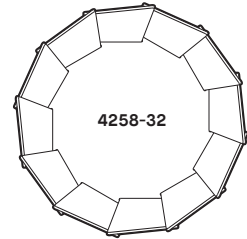
2471C Low Profile Canopy Ø4.50" x 0.50"

Mounting on Eureka box 3983

Recessed driver for discreet installation.



4258-16



4258-32

SUSPENSION

1 single suspension cable on the smaller version, 3 easy-to-adjust aircraft cables on the larger version for extra support and stability

BOTTOM LENS

Frosted acrylic lens for superior light transmission. Easy installation & locks with acoustic panels

HIGH PERFORMANCE LED BOARD

Custom made LED module

COLORS

Available in 14 standard colors and 16 Premium colors, For all color options, refer to the Acoustic Material Color Options page.

RECYCLED PANELS

Custom CNC cut polyester panels made from recycled bottles (PET). Panels are recyclable



REFLECTOR

For increased light uniformity and output

CLEANING

A proper and regular cleaning will help extend the lifespan of acoustic products. Remove dust with a vacuum cleaner and light stains with a damp cloth. For greasy and deep stains, a professional dry clean is recommended. Do not use any abrasive, soap, or chemical cleaner.



reddot 21 world of design

PRODUCT SPECIFICATION

4258-16

4258-32

PERFORMANCE

SYSTEM WATTAGE	17.3W	28.5W
DELIVERED LUMENS (4000K)	1379 LM	1799LM
EFFICACY	79.7LM/W	63.12LM/W

OTHER INFORMATIONS

LUMINAIRE'S WEIGHT	5.83 LBS / 2.65 KG	11.77 LBS / 5.35 KG
L70 (LUMEN MAINTENANCE)	60 000 HRS	60 000 HRS
FELT ACOUSTIC	HIGH DENSITY 9MM POLYESTER FELT	
FIRE RATING	ACOUSTIC MATERIAL RATED AT 0.75 N	
	ASTM E84-13 (FELT MATERIAL ONLY)	

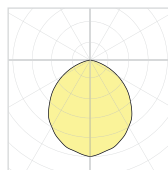
WELL & LEED STANDARD REQUIREMENTS

MAX. LUMINANCE 45°-90° OF NADIR	1453 CD/M ²	489 CD/M ²
LIGHT QUALITY	R9 > 50 (90 CRI OPTION)	
FLICKERING TOLERANCE	LOW FLICKER, COMPLIANT TO CALIFORNIA TITLE 24	

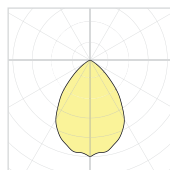
EFFICACY MULTIPLIERS

CRI	CCT	FACTOR
80+	4000K	1.00
80+	3500K	0.98
80+	3000K	0.94
80+	2700K	0.91
90+	4000K	0.88
90+	3500K	0.85
90+	3000K	0.81
90+	2700K	0.77

LIGHT DISTRIBUTION



4258-16



4258-32

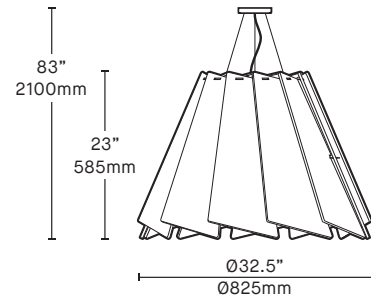
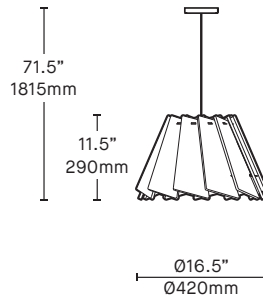
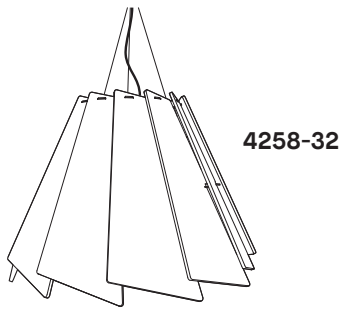


Visit our website for warranty terms and conditions.



TECHNICAL DATA

MUTE 4258-XX



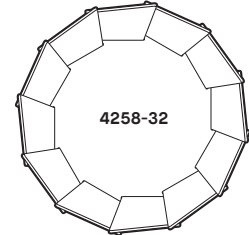
ATTÉNUATION DU BRUIT

Le Mute est composé de 12 panneaux acoustiques encerclant une source lumineuse DEL faite sur mesure.

OPTIONS DE PAVILLON

2473F Pavillon standard. Ø5.50" x 1.35"
Installation sur une boîte de jonction standard. 4"

2471C Pavillon mince et discret Ø4.50" x 0.50"
Installation sur une boîte de jonction profonde fournie.



SUSPENSION

1 seul câble de suspension sur la petite version, 3 câbles d'acier facile à ajuster pour un support et une stabilité additionnelle sur la grande version

LENTILLE

Lentille d'acrylique givré, transmission optique supérieure. Installation facile en bloquant les panneaux acoustiques

MODULE DEL HAUTE PERFORMANCE

Disque DEL de 24W conçu sur mesure

COULEURS

Disponible en 14 couleurs standards et 16 couleurs Premium. Pour la charte de couleurs consultez la fiche d'options de couleurs

PANNEAUX RECYCLÉS

Panneaux de polyester faits de bouteilles de plastique recyclées (PET) Les panneaux sont recyclables



RÉFLECTEUR

Augmente l'uniformité et le flux lumineux

NETTOYAGE

Un nettoyage approprié et régulier contribuera à prolonger la durée de vie des produits acoustiques. Enlever la poussière avec un aspirateur et les taches légères avec un linge humide. Pour les taches importantes ou grasses, un nettoyage à sec est recommandé. Ne pas utiliser de produits abrasifs, de savon ou de produits nettoyants chimiques.



SPÉCIFICATION PRODUIT

4258-16

4258-32

PERFORMANCE

PUISSANCE TOTALE	17.3W	28.5W
LUMENS RÉELS (4000K)	1379 LM	1799LM
EFFICACITÉ	79.7LM/W	63.12LM/W

AUTRES INFORMATIONS

POIDS DU LUMINAIRE	5.83 LBS / 2.65 KG	11.77 LBS / 5.35 KG
L70 (MAINTENANCE DE LA LUMIÈRE)	60 000 H	60 000 H
FEUTRE ACOUSTIQUE	FEUTRE DE POLYESTER HAUTE DENSITÉ 9MM	
RÉSISTANCE AU FEU	MATÉRIEL ACOUSTIQUE GRADÉ À 0.75 N	
	ASTM E84-13 (MATÉRIEL FEUTRE SEULEMENT)	

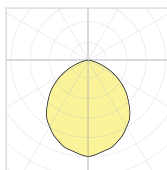
CRITÈRES DE CERTIFICATION WELL & LEED

MAX. LUMINANCE 45°-90° NADIR	1453 CD/M²	489 CD/M²
QUALITÉ DE LA LUMIÈRE	R9 > 50 (OPTION 90 IRC)	
TOLÉRANCE DE CLIGNEMENTS	PEU DE CLIGNOTEMENT (CONFORME À CALIFORNIA TITLE 24)	

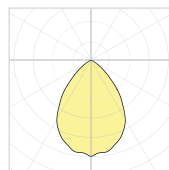
FACTEUR D'EFFICACITÉ

IRC	CCT	FACTEUR
80+	4000K	1.00
80+	3500K	0.98
80+	3000K	0.94
80+	2700K	0.91
90+	4000K	0.88
90+	3500K	0.85
90+	3000K	0.81
90+	2700K	0.77

DISTRIBUTION LUMINEUSE



4258-16



4258-32



Visitez notre site Web pour les termes et conditions.



DONNÉES TECHNIQUES