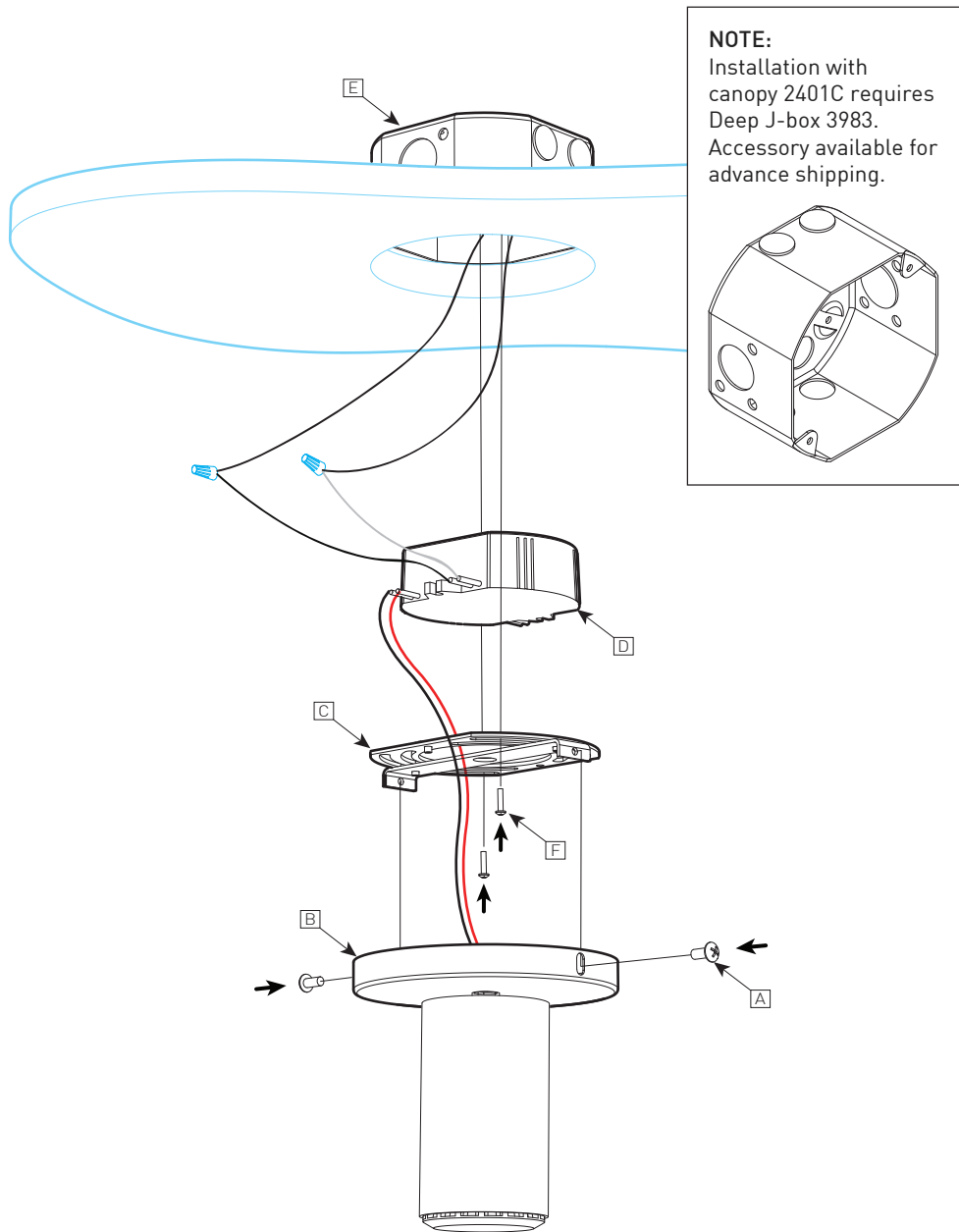
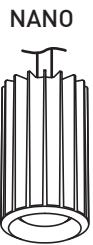


INSTALLATION MAINTENANCE

Ceiling Surface Fixture Plafonnier



NOTE:
Installation with
canopY 2401C requires
Deep J-box 3983.
Accessory available for
advance shipping.



INSTALLATION

REMOVE SCREWS [A] (8-32 X 3/8in) TO RELEASE THE CANOPY [B] FROM THE UNIVERSAL CROSSBAR [C].

1 - PLACE THE DRIVER [D] INSIDE THE JUNCTION BOX [E].
MAKE THE ELECTRICAL CONNECTIONS AND INSTALL THE UNIVERSAL PLATE [C],
(WIRE NUTS AND SCREWS [F] NOT SUPPLIED)

2 - INSTALL THE CANOPY [B] AND SCREW INTO PLACE.

INSTALLATION

DÉVISSER LES 2 VIS [A] (8-32 X 3/8in) POUR LIBÉRER LE PAVILLON [B] DE LA PLAQUE UNIVERSELLE [C].

1 - PLACER LE PILOTE [D] DANS LA BOITE DE JONCTION [E].
FAIRE LA CONNEXION DES FILS ET INSTALLER LA PLAQUE UNIVERSELLE [C].
(MARRETTES ET VIS [F] NON INCLUSES)

2 - INSTALLER LE PAVILLON [B] ET VISSER EN PLACE.