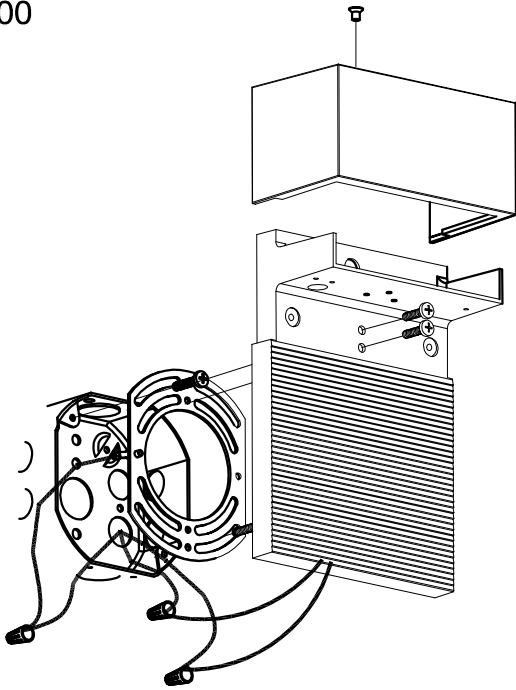
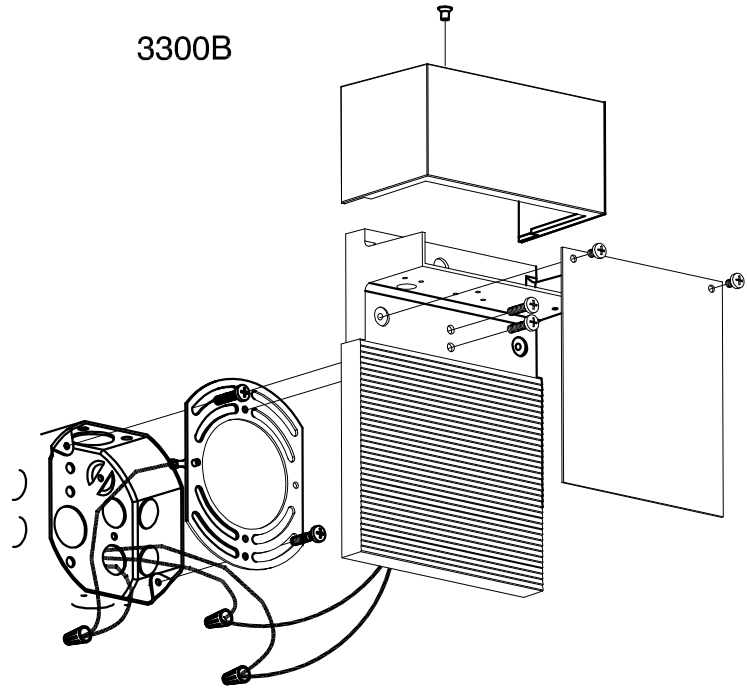


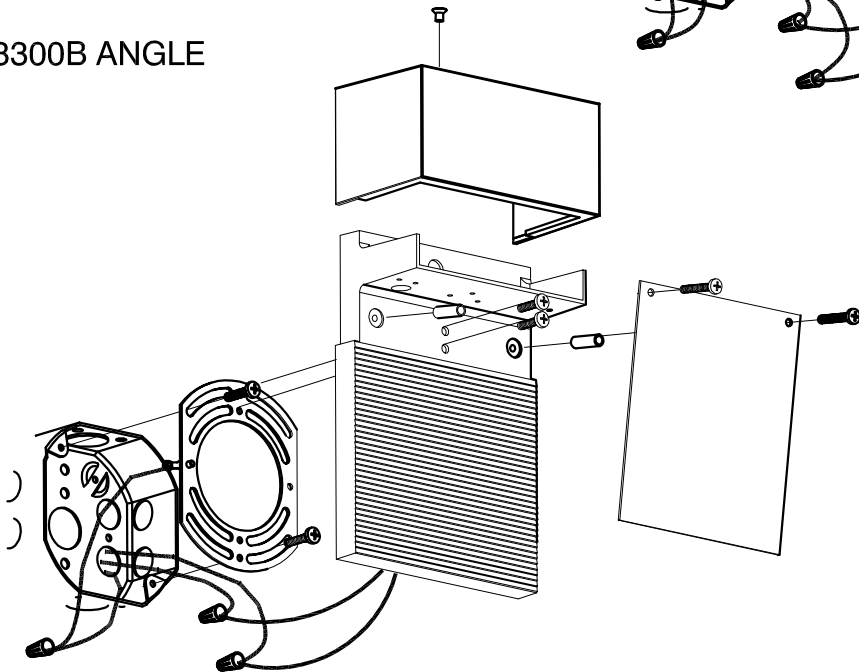
3300



3300B



3300B ANGLE



DATE: 2006/07/24

NOTES: ---

INSTALLATION SHEET
FICHE D'INSTALLATION

PROD.: 3300/3300B

TYPE: WALL FIXTURE/APPLIQUE MURALE

