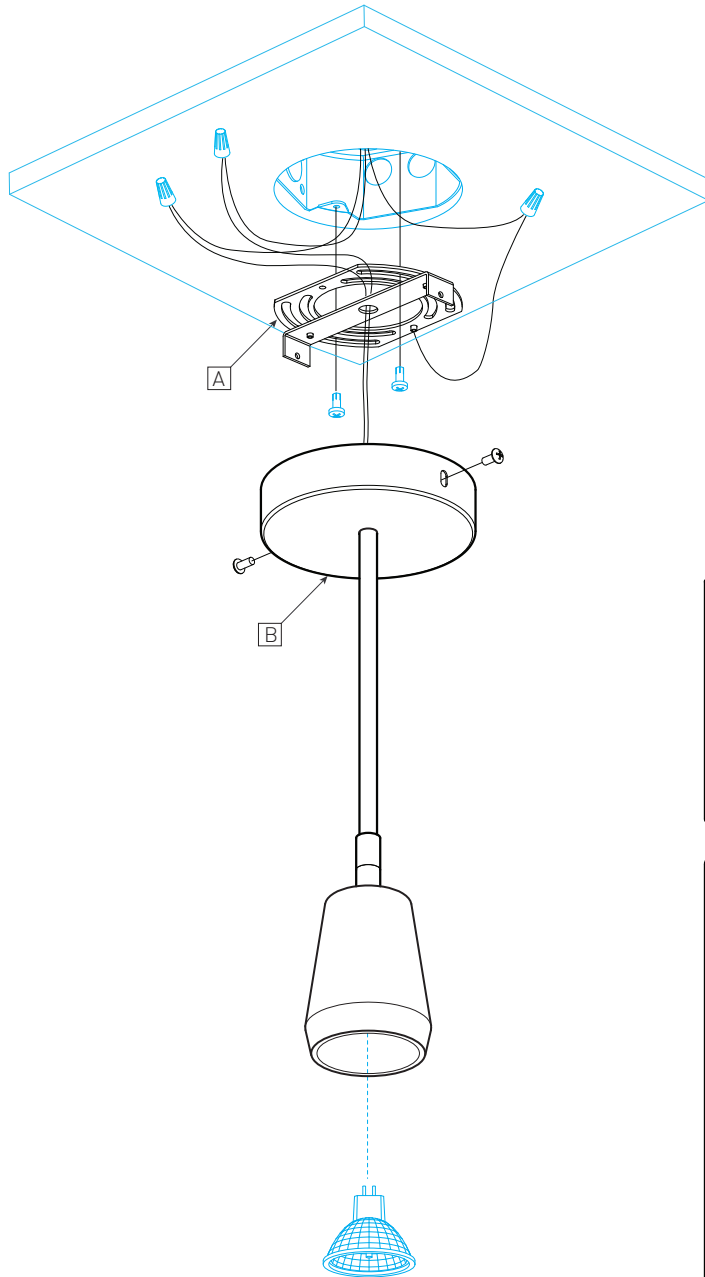
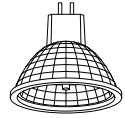


INSTALLATION MAINTENANCE

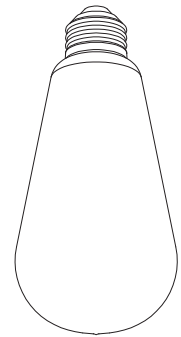
Spotlight, wall and suspended fixture Projecteur, applique murale et suspension



BULBS
AMPOULES



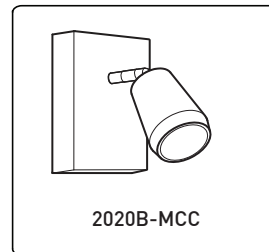
MR16C.50W



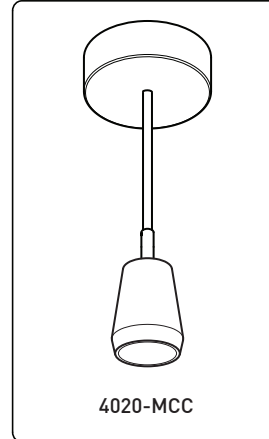
INC MED 60W



LED.4W



2020B-MCC



4020-MCC

INSTALLATION

REMOVE SCREWS [A] (8-32 X 3/8in) TO RELEASE THE CANOPY [B] FROM THE UNIVERSAL CROSSBAR [C].

- 1 - INSTALLATION ON JUNCTION BOX
INSTALL THE UNIVERSAL PLATE [A], AND MAKE THE ELECTRICAL CONNECTIONS.
(WIRE NUTS AND SCREWS NOT SUPPLIED)
- 2 - INSTALL THE CANOPY [B] AND SCREW INTO PLACE.

MAINTENANCE

- 3 - EXCEPT FOR LED VERSION, INSERT LAMPS (NOT SUPPLIED) INTO SOCKETS.

INSTALLATION

DÉVISSER LES 2 VIS [A] (8-32 X 3/8in) POUR LIBÉRER LE PAVILLON [B] DE LA PLAQUE UNIVERSELLE [C].

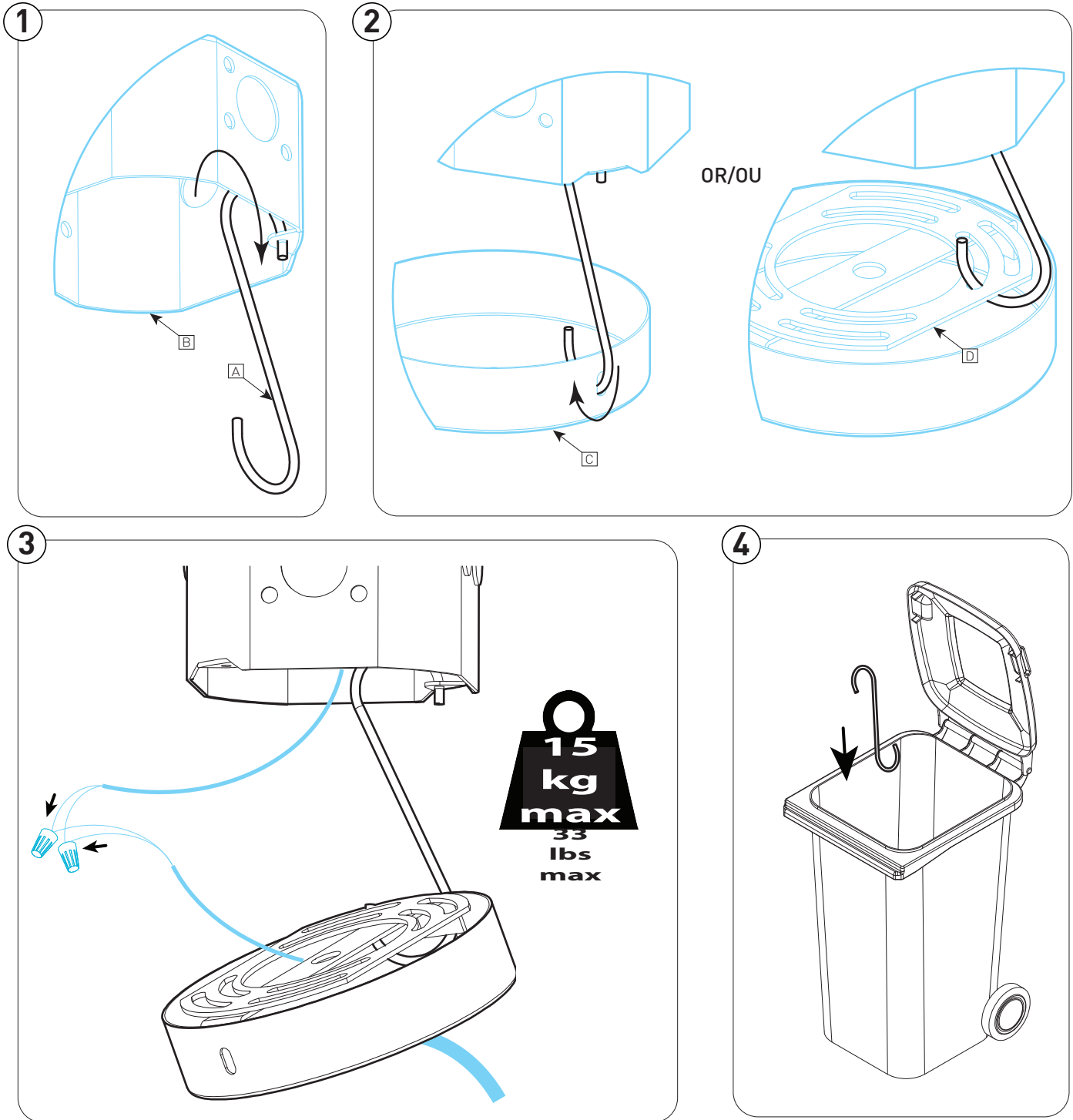
- 1 - INSTALLATION BOÎTE ELECTRIQUE
INSTALLER LA PLAQUE UNIVERSELLE [A] ET FAIRE LA CONNEXION DES FILS.
(MARRETTES ET VIS NON INCLUSES)
- 2 - INSTALLER LE PAVILLON [B] ET VISSER EN PLACE.

MAINTENANCE

- 3 - SAUF POUR LA VERSION LED, INSÉRER LES AMPOULES (NON FOURNIES) DANS LES DOUILLES.

INSTALLATION MAINTENANCE

Canopy Hook



INSTALLATION

- 1- FASTEN THE HOOK [A] ONTO THE JUNCTION BOX [B]
- 2- FASTEN THE HOOK ONTO THE CANOPY [C] (EITHER THROUGH THE HOLE ON THE SIDE OR THROUGH THE UNIVERSAL PLATE [D])
- 3- CONNECT THE WIRES
- 4- REMOVE THE HOOK, THEN DISCARD

INSTALLATION

- 1- FIXER LE ACCROCHER [A] À LA BOÎTE DE JONCTION [B]
- 2- FIXER LE CROCHET AUX PAVILLON [C] DE COTÉ OU AU TRAVERS LA PLAQUE UNIVERSAL [D]
- 3- CONNECTER LES FILS
- 4- RETIRER LE CROCHET ET S'EN DÉBARASSER