

# ARENA – ACOUSTIC 8297

PROJECT PROJÉT
SPEC TYPE
NOTES

## ORDERING SPECIFICATION SPÉCIFICATION DE COMMANDE CODE

### MODEL MODÈLE

**8297-40\*** ARENA – ACOUSTIC 40" (ONLY FOR 8220-36x36, 8220-36x54, 8220-36x96)  
**8297-58\*** ARENA – ACOUSTIC 58" (ONLY FOR 8220-54X54, 8220-36X54, 8220-54X96)  
 \*ARENA – ACOUSTIC BAFFLE IS AN ACCESSORY USED WITH ARENA 8210\*\* OR 8220 (SOLD SEPARATELY)  
 \*\*USE WITH ARENA 8210 WHEN TWO LINEAR ARE INSTALLED AT 36" OR 54" IN FRONT OF EACH OTHER

### BAFFLE FINISH FINI DÉFLECTEUR

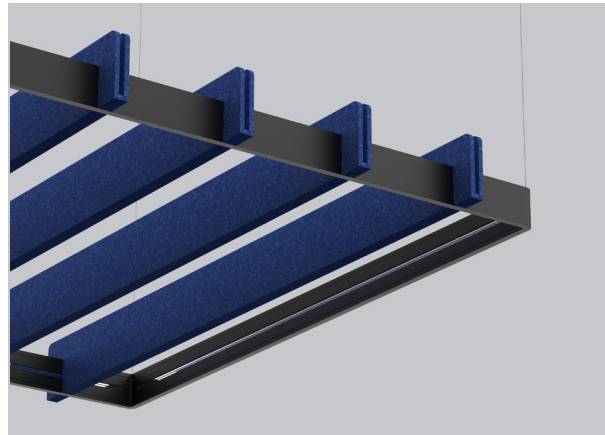
<b>ABF</b>	AZURE BLUE FELT	<b>BYF</b>	BANANA YELLOW FELT	<b>REF</b>	RED FELT
<b>AWF</b>	ARCTIC WHITE FELT	<b>CHF</b>	CHARCOAL FELT	<b>SGF</b>	SILVER GRAY FELT
<b>BBF</b>	BASIC BLACK FELT	<b>NBF</b>	NAVY BLUE FELT	<b>TGF</b>	TITANIUM GRAY FELT
<b>BOF</b>	BLOOD ORANGE FELT	<b>OBF</b>	OCEAN BLUE FELT	<b>ZFF</b>	ZINFANDEL FELT
<b>BTF</b>	BATTLESHIP GRAY FELT	<b>PGF</b>	PEAR GREEN FELT		

PLEASE SPECIFY PREMIUM COLOR CODE – SEE ACOUSTIC MATERIAL COLOR OPTIONS PAGE  
 \*LONGER LEAD TIME MAY APPLY. PLEASE CONTACT YOUR EUREKA REPRESENTATIVE

## PRODUCT CHARACTERISTICS CARACTÉRISTIQUES DU PRODUIT

### BIM

- DESIGN:** This double layered acoustic baffle absorbs noise frequencies with a soft and functional aesthetic which enhances a rooms atmosphere. This sleek acoustic Arena accessory will help with volume control while adding a stunning design element to the decor.
- INSTALLATION:** Panels are placed on the ARENA STRAIGHT or SQUARE, no hardware required for easy on-site installation or reconfiguration of the lighting environment. You can install as many baffles as desired on the fixture.
- BAFFLE:** Custom CNC cut rigid felt acoustic panels available in 30 colors. Composed of minimum 40% of recycled polyethylene bottles (PET). Fully recyclable and odorless.
- CERTIFIED:** c-CSA-us
- CONCEPTION:** Avec ses doubles panneaux acoustiques, son esthétique douce et fonctionnelle rehausse l'ambiance. Cet élégant accessoire acoustique vous aidera à contrôler le volume de votre espace tout en ajoutant un élément de design époustoufflant au décor.
- INSTALLATION:** Les panneaux sont déposés sur le luminaire ARENA STRAIGHT ou SQUARE, aucun matériel n'est requis pour une installation ou une reconfiguration facile sur site. Vous pouvez installer cet accessoire autant de fois que vous le souhaitez.
- PANNEAU:** Les panneaux acoustiques en feutre rigide découpés CNC sur mesure sont disponibles en 30 couleurs. Composés d'au moins 40% de bouteilles en polyéthylène recyclé (PET) qui les rendent recyclables et inodores.
- CERTIFIÉ:** c-CSA-us

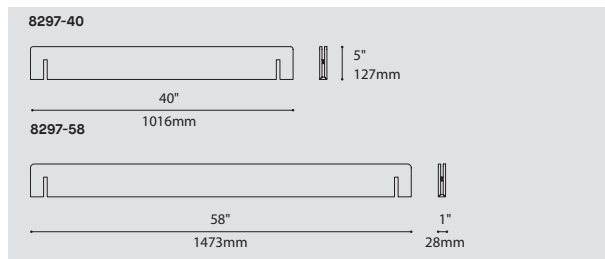


### SHADE FINI



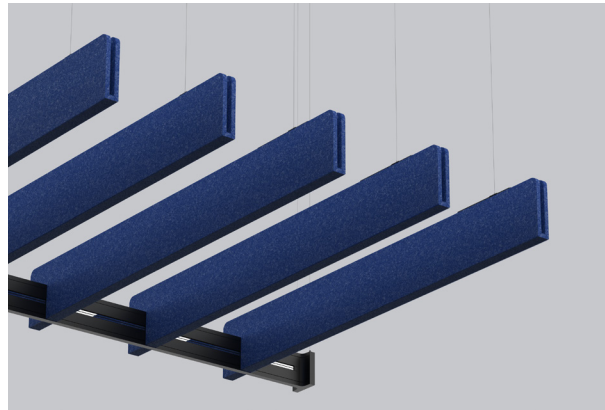
ADDITIONAL PREMIUM COLORS AVAILABLE - SEE ACOUSTIC MATERIAL COLOR OPTIONS PAGE

### FAMILY FAMILLE



# ARENA – ACOUSTIC SUSPENDED 8298

PROJECT PROJET
SPEC TYPE
NOTES

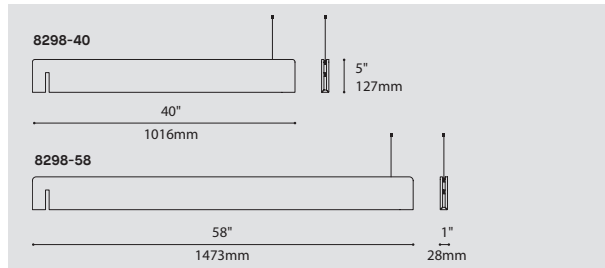


## SHADE FINI



ADDITIONAL PREMIUM COLORS AVAILABLE – SEE ACOUSTIC MATERIAL COLOR OPTIONS PAGE

## FAMILY FAMILLE



## ORDERING SPECIFICATION SPÉCIFICATION DE COMMANDE

CODE

MODEL MODÈLE					
8298-40	ARENA – ACOUSTIC BAFFLE 40" WITH SUSPENSION CABLE				
8298-58	ARENA – ACOUSTIC BAFFLE 58" WITH SUSPENSION CABLE				
	ARENA – ACOUSTIC BAFFLE IS AN ACCESSORY USED WITH ARENA 8210 OR 8220 (SOLD SEPARATELY)				
CABLE CÂBLE					
AC	60" CABLE (STD LENGTH)				
**	CUSTOM CABLE LENGTH (PLEASE SPECIFY)				
BAFFLE FINISH FINI DÉFLECTEUR					
ABF	AZURE BLUE FELT	BYF	BANANA YELLOW FELT	REF	RED FELT
AWF	ARCTIC WHITE FELT	CHF	CHARCOAL FELT	SGF	SILVER GRAY FELT
BBF	BASIC BLACK FELT	NBF	NAVY BLUE FELT	TGF	TITANIUM GRAY FELT
BOF	BLOOD ORANGE FELT	OBF	OCEAN BLUE FELT	ZFF	ZINFANDEL FELT
BTF	BATTLESHIP GRAY FELT	PGF	PEAR GREEN FELT		

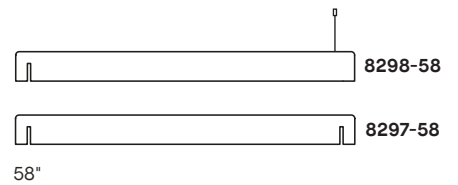
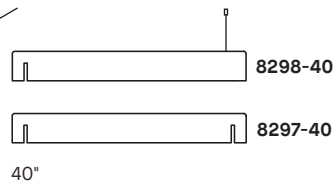
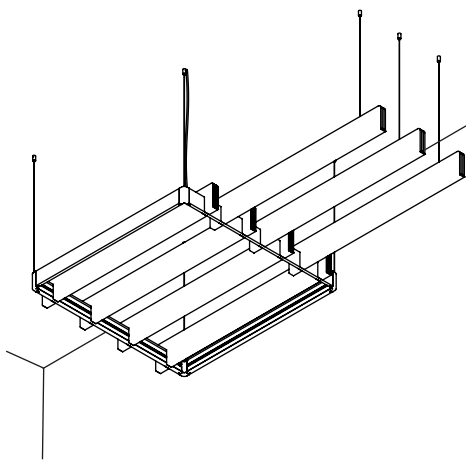
PLEASE SPECIFY PREMIUM COLOR CODE – SEE ACOUSTIC MATERIAL COLOR OPTIONS PAGE  
\*LONGER LEAD TIME MAY APPLY, PLEASE CONTACT YOUR EUREKA REPRESENTATIVE

## PRODUCT CHARACTERISTICS CARACTÉRISTIQUES DU PRODUIT

### BIM

- DESIGN:** This double layered acoustic baffle absorbs noise frequencies with a soft and functional aesthetic which enhances a rooms atmosphere. This sleek acoustic Arena accessory will help with volume control while adding a stunning design element to the decor.
- INSTALLATION:** The baffle is placed on the Arena on one end and supported on the other end by a ceiling mounted aircraft cable. You can install as many baffles as desired on the fixture.
- BAFFLE:** Custom CNC cut rigid felt acoustic panels available in 30 colors. Composed of minimum 40% of recycled polyethylene bottles (PET). Fully recyclable and odorless.
- CERTIFIED:** c-CSA-us
- CONCEPTION:** Avec ses doubles panneaux acoustiques de 40" ou 58", esthétique Avec ses doubles panneaux acoustiques, son esthétique douce et fonctionnelle rehausse l'ambiance. Cet élégant accessoire acoustique vous aidera à contrôler le volume de votre espace tout en ajoutant un élément de design époustouffant au décor.
- INSTALLATION:** L'accessoire est déposé d'un côté sur le luminaire ARENA et soutenue à l'autre extrémité par un câble d'acier et une attache au plafond. Vous pouvez en installer autant que vous le souhaitez sur le luminaire.
- PROJECTEUR:** Les panneaux acoustiques en feutre rigide découpés CNC sur mesure sont disponibles en 30 couleurs. Composés d'au moins 40% de bouteilles en polyéthylène recyclé (PET) qui les rendent recyclables et inodores.
- CERTIFIÉ:** c-CSA-us

# ARENA - ACOUSTIC 8297 / 8298



### NOISE REDUCTION

The arrangement of the vertical panels increases the effective surface area of sound absorbing material optimizing the acoustic performance of the luminaire.

The panels are available in 30 colors.

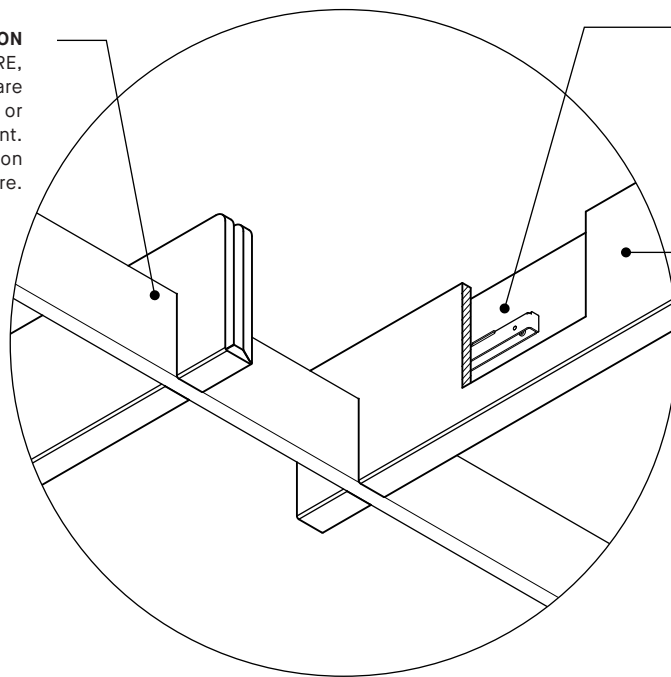
For all color options, refer to the Acoustic Material Color Options page.

### TWO MOUNTING OPTIONS

This Accessory can be half suspended, half mounted on the structure or fully mounted on the ARENA structure.

### INSTALLATION

Panels are dropped on ARENA SQUARE, RECTANGLE OR STRAIGHT, no hardware required for easy on-site installation or reconfiguration of the lighting environment. You can install as many blades as desired on the fixture.



**DOUBLE SIDED PANEL**  
with reinforced brackets for structural integrity.



### RECYCLED PANELS

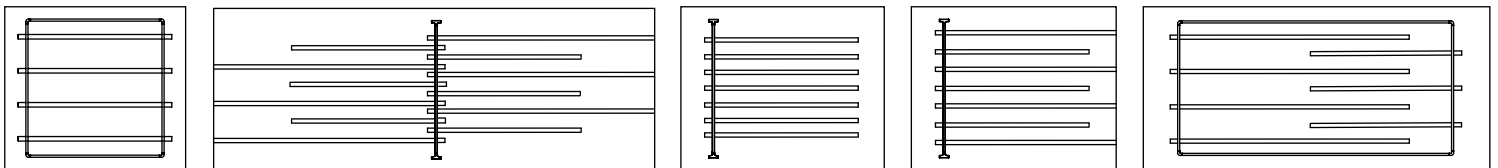
Custom CNC cut panels composed of polyester fibers (PET) with 42% recycled content. 100% recyclable, non-toxic, non-allergenic and non-irritable. The material is also low VOC and fire rated.



### CLEANING

A proper and regular cleaning will help extend the lifespan of acoustic products. Periodic cleaning can be done with a vacuum or wiping with a damp microfiber cloth. Do not use any abrasive, soap, or chemical cleaner.

### POSSIBLE PATTERNS



### PRODUCT SPECIFICATIONS

8297-40"

8297-58"

8298-40"

8298-58"

#### INFORMATIONS

ACCESSORY WEIGHT

1.38LBS / 0.63 KG

1.63LBS / 0.74 KG

1.38LBS / 0.63 KG

1.63LBS / 0.74 KG

FELT

HIGH DENSITY 9MM POLYESTER FELT

ACOUSTIC

ACOUSTIC MATERIAL RATED AT 0.75 N

FIRE RATING

ASTM E84-13 (FELT MATERIAL ONLY)

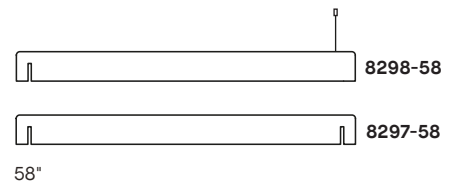
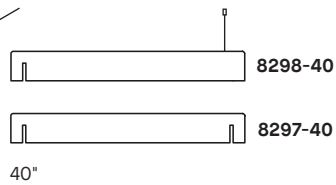
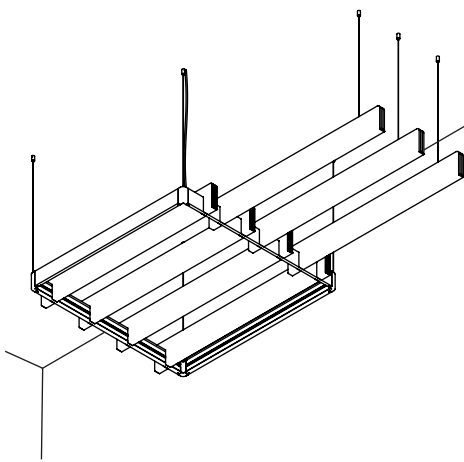


Visit our website for warranty terms and conditions.



## TECHNICAL DATA

# ARENA - ACOUSTIQUE 8297 / 8298



## ATTÉNUATION DU BRUIT

La superposition des panneaux verticaux augmente la surface effective du matériel insonorisant, optimisant les performances acoustiques du luminaire.

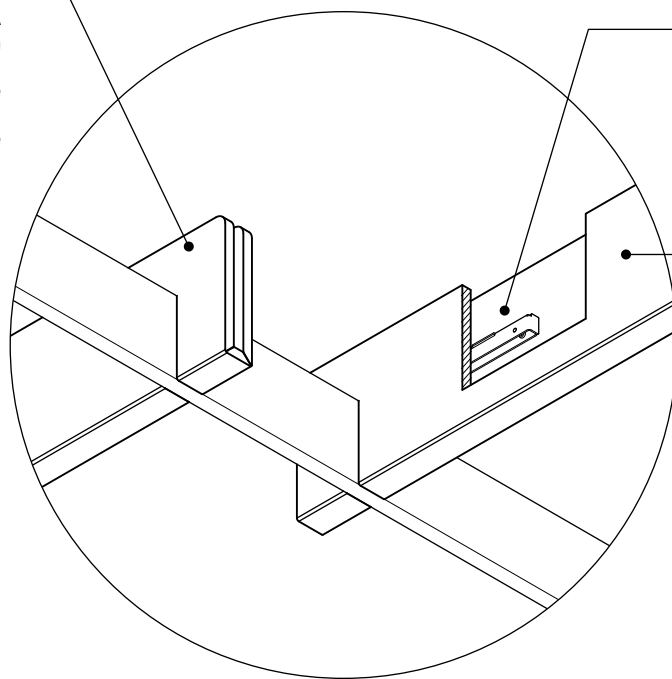
Les panneaux sont disponibles en 30 couleurs.  
Pour toutes options de couleurs, consulter la page d'options de couleurs de matérielle acoustique.

## DEUX OPTIONS DE MONTAGE

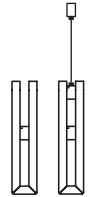
Cet accessoire peut être à moitié suspendu, à moitié supporté par la structure ou entièrement monté sur la structure ARENA.

## INSTALLATION

Les panneaux sont déposés sur ARENA SQUARE, RECTANGLE OR STRAIGHT, aucun matériel requis pour une installation ou une reconfiguration facile de l'environnement d'éclairage sur place. Vous pouvez installer autant de lames que vous le souhaitez sur le luminaire.



**PANNEAU À PAROIS DOUBLE**  
avec supports renforcés pour l'intégrité structurelle.



## PANNEAUX RECYCLÉS

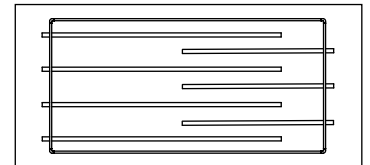
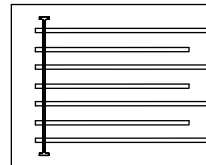
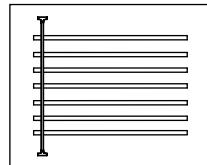
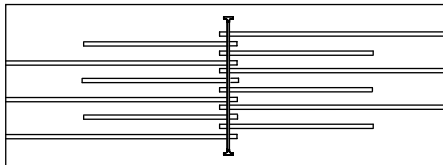
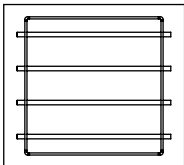
Panneaux composés de fibres de polyester (PET) avec 42% de matière recyclées. 100% recyclable, non-toxique, non-allergène et non-irritable. Faible teneur en COV et résistance au feu.



## NETTOYAGE

Un nettoyage approprié et régulier contribuera à prolonger la durée de vie des produits acoustiques. Un nettoyage périodique peut être fait avec un aspirateur ou en essuyant avec un chiffon humide. Ne pas utiliser de produits abrasifs, de savon ou de produits

## AGENCEMENTS POSSIBLES



## SPÉCIFICATIONS PRODUIT

8297-40"

8297-58"

8298-40"

8298-58"

## INFORMATIONS

POIDS DE L'ACCESSOIRE  
FEUTRE  
ACOUSTIQUE  
RÉSISTANCE AU FEU

1.38LBS / 0.63 KG  
FEUTRE DE POLYESTER HAUTE DENSITÉ 9MM  
MATÉRIEL ACOUSTIQUE GRADÉ À 0.75 N  
ASTM E84-13 (MATÉRIEL FEUTRE SEULEMENT)

1.63LBS / 0.74 KG

1.38LBS / 0.63 KG

1.63LBS / 0.74 KG



Visitez notre site Web pour les termes et conditions.



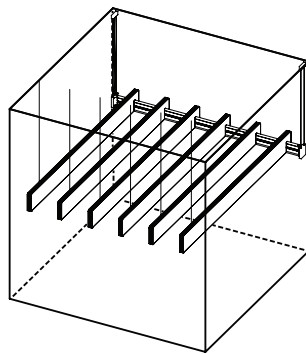
## DONNÉES TECHNIQUES

# Acoustic test results

The acoustic testing of our fixtures enables us to get data such as the average Sabins per object and the sound absorbing coefficient (Sabins/ft<sup>2</sup>). One Sabins is the equivalent of 1ft<sup>2</sup> of perfect sound absorption. For the ARENA, we tested two size of the fixture; the 40" and the 58". These were tested on a square spacing grid of 45" and placed 36" from the test surface (ceiling).

## Arena 58" test

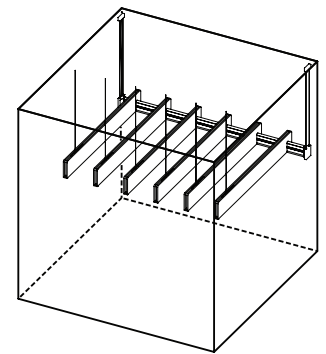
250Hz - 0.43 Sabins  
 500Hz - 1.54 Sabins  
 1000Hz - 2.61 Sabins  
 2000Hz - 3.99 Sabins  
 Average per panel:  
**2.15 Sabins**



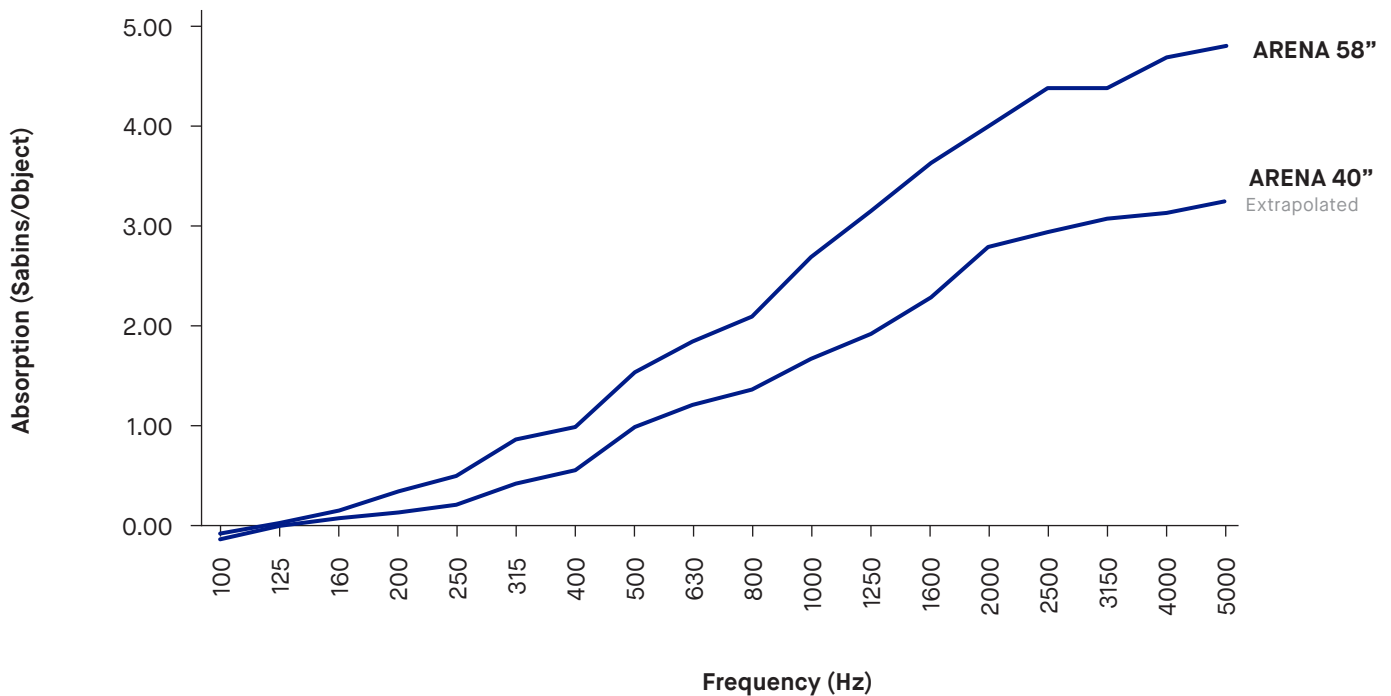
## Arena 40" test

Extrapolated

250Hz - 0.29 Sabins  
 500Hz - 1.05 Sabins  
 1000Hz - 1.78 Sabins  
 2000Hz - 2.73 Sabins  
 Average per panel:  
**1.5 Sabins**

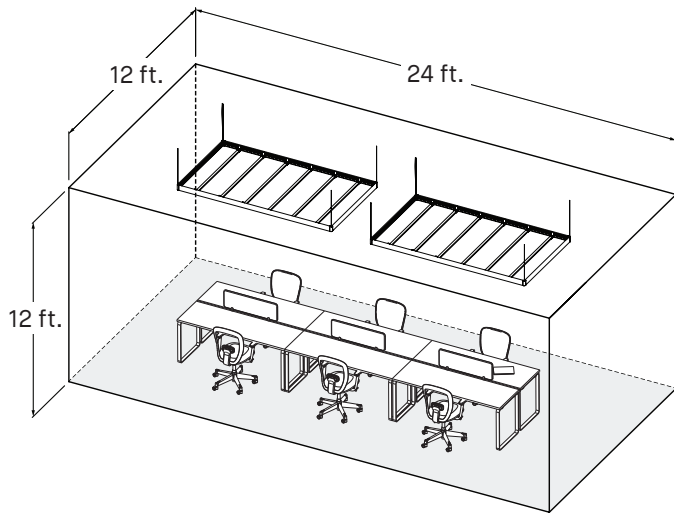


## Sound Absorption



# Reverberation time

Based on the test data, we are able to calculate the reverberation time of fixture layouts in a closed room and determine the extra amount (ft<sup>2</sup>) of sound absorbing material that would be required for a comfortable level. Reverberation time is the calculation of the time it takes for sound to fade by 60 dB in a closed space in seconds. As a reference, the WELL standard recommends a reverberation time of 0.5 seconds for an open office applications and 0.6 seconds for a conference room. Here are two acoustic scenarios using the ARENA acoustic accessory.

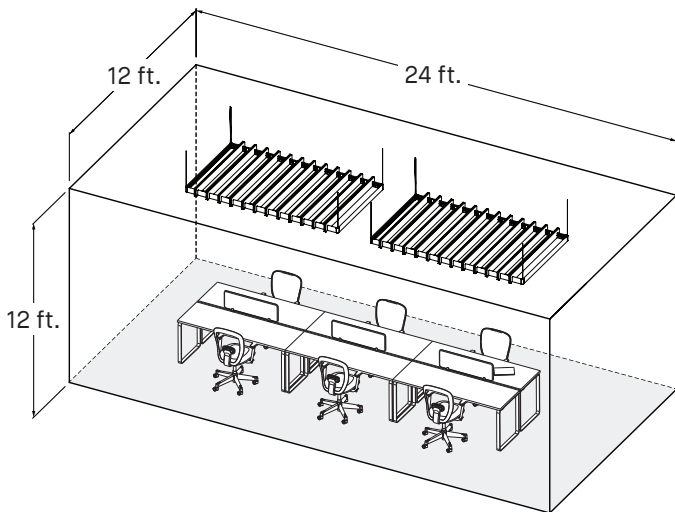


## Scenario 1

12x ARENA SLICE SQ 54" spaced on  
2x ARENA 54x96 hanging  
12.5" from the ceiling.

Average workplane illuminance  
**30 fc**

Reverberation time  
**1.196 seconds**



## Scenario 2

12x ARENA ACOUSTIC 58" with  
12x ARENA SLICE SQ 54" spaced on  
2x ARENA 54x96 hanging  
12.5" from the ceiling.

Average workplane illuminance  
**30 fc**

Reverberation time  
**0.928 seconds**  
**+30% better acoustics**

Carpet on  
concrete floor

1/2" sheetrock  
walls and ceiling

SEE THE ACOUSTIC DATA DOCUMENT ON  
OUR WEBSITE FOR MORE INFORMATION



# Acoustic Material Color Options for Arena

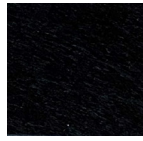
## Standard colors



**ABF**  
Azure Blue



**AWF**  
Arctic White



**BBF**  
Basic Black



**BOF**  
Blood Orange



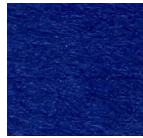
**BTF**  
Battleship Gray



**BYF**  
Banana Yellow



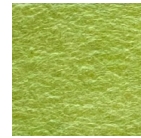
**CHF**  
Charcoal



**NBF**  
Navy Blue



**OBF**  
Ocean Blue



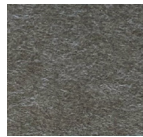
**PGF**  
Pear Green



**REF**  
Red



**SGF**  
Silver Gray



**TGF**  
Titanium Gray



**ZFF**  
Zinfandel

## Premium colors



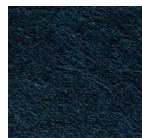
**BGF**  
Bubble Gum



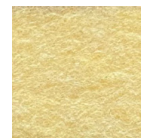
**BKF**  
Bark Brown



**DBF**  
Denim Blue



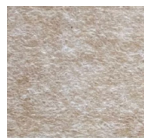
**DTF**  
Deep Teal Green



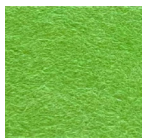
**DYF**  
Daisy Yellow



**GGF**  
Grass Green



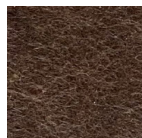
**LBF**  
Light Beige



**LGF**  
Lime Green



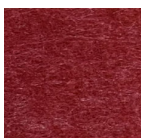
**MGF**  
Moss Green



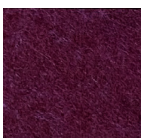
**OAF**  
Oak Brown



**PBF**  
Peanut Brown



**PNF**  
Pinot Noir



**PPF**  
Plum Purple



**SBF**  
Sky Blue



**TOF**  
Tangerine Orange





**TPF**  
Tulip Purple

- Premium colors carry extended lead times. Additional fees may apply for expedited lead times. Please consult factory.
- Due to the dye process, colors may vary slightly from batch to batch.

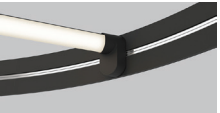
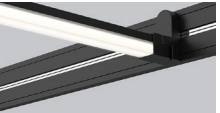
# Arena Mapping

MIXING LIGHT SOURCES IS POSSIBLE AND RECOMMENDED. TO HELP YOU DO SO, SUBSTRACT THE DC LOAD OF EACH LIGHT SOURCE FROM THE MAXIMUM DC LOAD OF ARENA. DO NOT EXCEED MAXIMUM WEIGHT PER SIDE

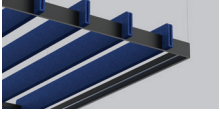
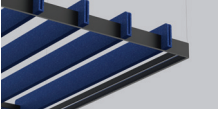
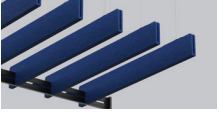
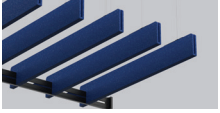
<b>LUMINAIRE</b>	<b>FRAME CONFIGURATION</b> *REFER TO 2D DRAWINGS FOR EACH SIZE.	<b>ARENA RING</b>  8200-36 8200-54	<b>ARENA SQUARE &amp; RECTANGLE</b>			
			8220-36X36 8220-36X54	8220-54X54 8220-36X96 8220-54X96 8220-96X96	8220-36X190 8220-54X190 8220-96X190 8220-190X190	8220-36X380 8220-54X380 8220-96X380 8220-190X380 8220-380X380
	<b>MAXIMUM TOTAL DC LOAD OF ACCESSORY</b>	<b>90W DC</b>	<b>90W DC</b>	<b>180W</b> (90W DC PER 2 SIDES)	<b>360W</b> (90W DC PER SIDES)	<b>540W, 720W</b> (90W DC PER SECTION)
	<b>MAXIMUM TOTAL WEIGHT OF ACCESSORY</b>	<b>25 LBS</b>	<b>25 LBS / SIDE</b>	<b>25 LBS / SIDE</b>	<b>25 LBS / SECTION</b>	<b>25 LBS / SECTION</b>

<b>LUMINAIRE</b>	<b>FRAME CONFIGURATION</b> *REFER TO 2D DRAWINGS FOR EACH SIZE.	<b>ARENA STRAIGHT</b>			
		8210-36 (1 SECTION) 8210-54 (1 SECTION) 8210-70 (2 SECTIONS)	8210-96 (1 SECTION) 8210-158 (3 SECTIONS) 8210-190 (2 SECTIONS)	8210-284 (3 SECTIONS) 8210-380 (4 SECTIONS)	
		<b>MAXIMUM TOTAL DC LOAD OF ACCESSORY</b>	<b>90W (90W DC FOR BOTH SIDES)</b>	<b>180W (90W DC PER SECTION)</b>	<b>360W DC (90W DC PER SECTION)</b>
	<b>MAXIMUM TOTAL WEIGHT OF ACCESSORY</b>	<b>25 LBS / SECTION</b>	<b>25 LBS / SECTION</b>	<b>25 LBS / SECTION</b>	

<b>ACCESSORIES HEAD</b>	<b>LIGHT SOURCES</b>	<b>BEAM</b> 8290	<b>GLOW</b> 8291	<b>AIM</b> 8292	<b>CONE</b> 8294	<b>BALL</b> 8295
						
	<b>DC LOAD</b>	<b>8W DC</b>	<b>8W DC</b>	<b>8W DC</b>	<b>11W DC</b>	<b>8W DC</b>
	<b>WEIGHT LBS</b>	<b>0.62 LBS</b>	<b>0.70 LBS</b>	<b>0.61 LBS</b>	<b>0.88 LBS</b>	<b>0.48 LBS</b>

<b>ACCESSORIES SLICE</b>	<b>LIGHT SOURCES</b>	<b>SLICE-ROUND 8293 (ONLY FOR 8200)</b>		<b>SLICE-SQUARE 8296</b>	
		8293-36	8293-54	8296-36	8296-54
					
	<b>DC LOAD</b>	<b>8W DC</b>	<b>11W DC</b>	<b>8W DC</b>	<b>11W DC</b>
<b>WEIGHT LBS</b>	<b>1.24 LBS</b>	<b>1.65 LBS</b>	<b>2.22 LBS</b>	<b>3.50 LBS</b>	

<b>ACCESSORIES ADAPTER</b>	<b>LIGHT SOURCES</b>	<b>MILL 14"</b> 4277D-14	<b>SCOUT 02.75"</b> 4048-XX	<b>SCOUT 04"</b> 4049-XX	<b>MIKA 8"</b> 4230-8	<b>BLOOM</b> 4269-XX	<b>MINI MUTE</b> 4258-16	<b>CELESTE</b> 4010-CEL1
								
	<b>DC LOAD</b>	<b>8W DC</b>	<b>8W DC</b>	<b>8W DC</b>	<b>8W DC</b>	<b>8W DC</b>	<b>11W DC</b>	<b>4W DC</b>
	<b>WEIGHT LBS</b>	<b>11.3 LBS</b>	<b>MAX 4.32 LBS</b>	<b>MAX 6.05 LBS</b>	<b>2.40 LBS</b>	<b>MAX 9.75 LBS</b>	<b>5.83 LBS</b>	<b>2.20 LBS</b>

<b>ACCESSORIES ACOUSTIC</b>	<b>ACOUSTIC CONFIGURATION</b>	<b>ACOUSTIC BAFFLE FOR ARENA SQUARE</b>		<b>ACOUSTIC BAFFLE FOR ARENA STRAIGHT</b>	
		8297-40	8297-58	8298-40	8298-58
					
	<b>WEIGHT LBS</b>	<b>1.38 LBS / PANEL</b>	<b>1.63 LBS / PANEL</b>	<b>1.38 LBS / PANEL</b>	<b>1.63 LBS / PANEL</b>
<b>CONFIGURATION USE FOR ARENA</b>	8220-36X36 8220-36X54 8220-36X96	8220-54X54 8220-36X54 8220-54X96	8210-XX 8220-XX	8210-XX 8220-XX	

\*WE RESERVE THE RIGHT TO MODIFY ANY INFORMATION AT ANY TIME.

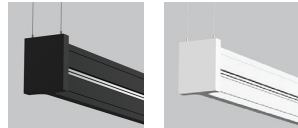


# ARENA STRAIGHT 8210

PROJECT PROJÉT
SPEC TYPE
NOTES



## FINISH FINI



BLKE

WHE

## FAMILY FAMILLE



ARENA - BEAM 8290

ARENA - GLOW 8291

ARENA - AIM 8292

ARENA - BALL 8295

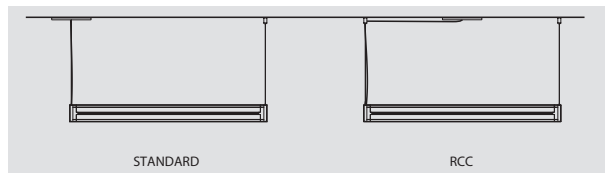


ARENA - CONE 8294

ARENA - SLICE SQ 8296

ARENA - ACOUSTIC 8298

## MOUNTING CABLE OPTION OPTION DE MONTAGE DE CÂBLE



STANDARD

RCC

## ORDERING SPECIFICATION SPÉCIFICATION DE COMMANDE

CODE

### STANDARD MODEL MODÈLE STANDARD

<b>8210-36</b>	ARENA STRAIGHT 36"
<b>8210-54</b>	ARENA STRAIGHT 54"
<b>8210-70</b>	ARENA STRAIGHT 70" (2 SECTIONS CONNECTED WITH 1 JOINER)
<b>8210-96</b>	ARENA STRAIGHT 96"
<b>8210-158</b>	ARENA STRAIGHT 158" (3 SECTIONS CONNECTED WITH 2 JOINERS)
<b>8210-190</b>	ARENA STRAIGHT 190" (2 SECTIONS CONNECTED WITH 1 JOINER)
<b>8210-285</b>	ARENA STRAIGHT 285" (3 SECTIONS CONNECTED WITH 2 JOINERS)
<b>8210-380</b>	ARENA STRAIGHT 380" (4 SECTIONS CONNECTED WITH 3 JOINERS)

FOR CUSTOM SIZES, PLEASE CONTACT YOUR EUREKA REPRESENTATIVE.

### DC LOAD PUISSANCE MAXIMALE DC

<b>90W</b>	1X 90 WATT (AVAILABLE FROM 36" TO 96")
<b>180W</b>	2X 90 WATT (AVAILABLE FROM 36" TO 190")
<b>360W</b>	4X 90 WATT (ONLY AVAILABLE FOR 285" TO 380")

ARENA STRAIGHT 8210	LIGHT SOURCES							ADAPTER TAA
	BEAM 8290	GLOW 8291	AIM 8292	SLICE-SQ 8296-36	SLICE-SQ 8296-54	BALL 8295	CONE 8294	
MAXIMUM DC LOAD 90W, 180W, 360W	8W DC	8W DC	8W DC	8W DC	11W DC	8W DC	11W DC	SEE SPEC SHEET
MAXIMUM TOTAL WEIGHT PER SECTION 25 LBS	0.62 LBS	0.70 LBS	0.61 LBS	2.22 LBS	3.50 LBS	0.48 LBS	0.88 LBS	

### VOLTAGE VOLTAGE

<b>120V</b>	120 VOLT
<b>277V</b>	277 VOLT

### CONTROL OPTIONS OPTION DE CONTRÔLE

<b>DV</b>	0-10V DIMMING (120V-277V)
<b>NLTAIR2*</b>	NLIGHT AIR CONTROL GEN2 (NOT AVAILABLE WITH MOUNTING OPTION RC3)
<b>NLIGHT*</b>	NLIGHT WIRED CONTROL (NOT AVAILABLE WITH MOUNTING OPTION RC3)

LED DIMMING DRIVER IS STANDARD IN THIS PRODUCT  
\*NLIGHT INTEGRATION REQUIRES A REMOTE POWER PACK (39NLAA & 39NLWA AS BELOW FOR NLIGHT). REFER TO NLIGHT GUIDE AND INSTALLATION SHEET FOR ALL REQUIREMENTS.

### CABLE CÂBLE

<b>AC</b>	AIRCRAFT CABLE & POWER CORD, FIELD ADJUSTABLE
-----------	---

AC

### CABLE LENGTH LONGUEUR DE CÂBLE

<b>60</b>	60" AIRCRAFT CABLE (STD LENGTH)
<b>**</b>	CUSTOM AIRCRAFT CABLE LENGTH (PLEASE SPECIFY) FOR OVERALL LENGTH, PLEASE CONTACT YOUR EUREKA REPRESENTATIVE.

### MOUNTING MONTAGE

<b>SQ1</b>	SQUARE CANOPY ON JBOX FOR RECESSED DRIVERS 6.6" (2437B) (PAIR WITH 3981C OR 3981D)
<b>RC1</b>	ROUND CANOPY ON JBOX FOR RECESSED DRIVERS 8.9" (2404B) (PAIR WITH 3981C OR 3981D)
<b>RC2</b>	ROUND SURFACE SCREWLESS CANOPY 9.4" FOR 90W ONLY (2475I)
<b>RC3</b>	ROUND SURFACE SCREWLESS CANOPY 4.6" FOR REMOTE DRIVER BOX 12"X16" (2471C) (PAIR WITH ACCESSORY 3981GA OR 3981GB)
<b>RC4</b>	ROUND SURFACE SCREWLESS CANOPY 12" FOR 180W OR 360W (2477I)

### MOUNTING CABLE OPTION OPTION DE MONTAGE DE CÂBLE

<b>RCC</b>	FLOATING CANOPY - STRAIGHT AIRCRAFT CABLES IF NO OPTION IS SELECTED, A CANOPY AT END OF THE FIXTURE WITH AIRCRAFT CABLES IS STANDARD
------------	---

### CANOPY & GRIPPERS FINISH FINI PAVILLON ET ATTACHES

<b>BLKE</b>	BLACK FINE TEXTURE
<b>WHE</b>	WHITE FINE TEXTURE

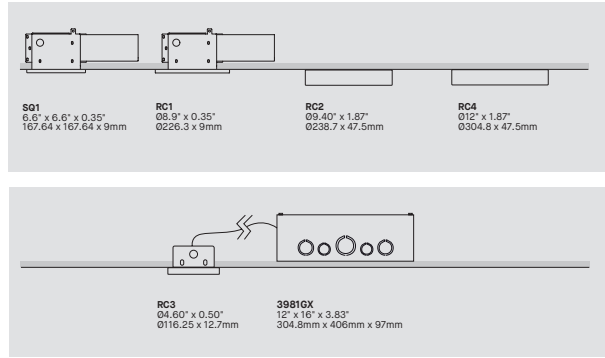
### POWER CORD FINISH FINI CÂBLE D'ALIMENTATION

<b>BLK</b>	BLACK POWER CORD
<b>WH</b>	WHITE POWER CORD
<b>CLR</b>	CLEAR POWER CORD

### FRAME FINISH FINI DU CADRE

<b>BLKE</b>	BLACK FINE TEXTURE
<b>WHE</b>	WHITE FINE TEXTURE

## MOUNTING OPTION OPTION DE MONTAGE



## ACCESSORY ACCESSOIRE

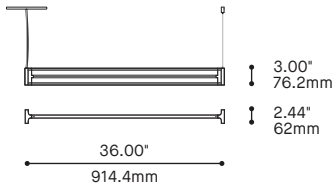
- 3981C** 1 JUNCTION BOX FOR 90W RECESSED DRIVER
- 3981D** 1 JUNCTION BOX FOR 180W RECESSED DRIVER
- 3981D2** 2 JUNCTION BOX FOR 360W RECESSED DRIVER
- 3981GA** 1 REMOTE DRIVER BOX 12"X16" FOR MOUNTING RC3 FOR DC LOAD 90W
- 3981GB** 1 REMOTE DRIVER BOX 12"X16" FOR MOUNTING RC3 FOR DC LOAD 180W
- 3981GB2** 2 REMOTE DRIVER BOXES 12"X16" FOR MOUNTING RC3 FOR DC LOAD 360W
- 39NLAA\*** NLIGHT AIR GEN 2 REMOTE CONTROLLER (NOT AVAILABLE WITH MOUNTING OPTION RC3)
- 39NLWA\*** NLIGHT WIRED REMOTE CONTROLLER (NOT AVAILABLE WITH MOUNTING OPTION RC3)

\* FOR CHICAGO PLENUM INSTALLATION, PLEASE CONTACT YOUR EUREKA REPRESENTATIVE

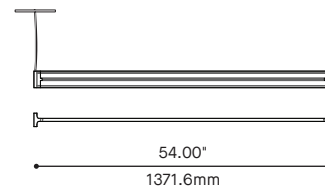
# ARENA STRAIGHT 8210

## CONFIGURATIONS

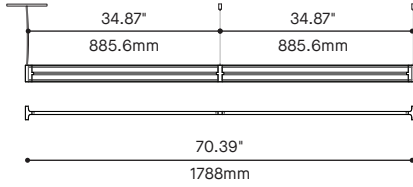
**8210-36**  
ARENA STRAIGHT 36"



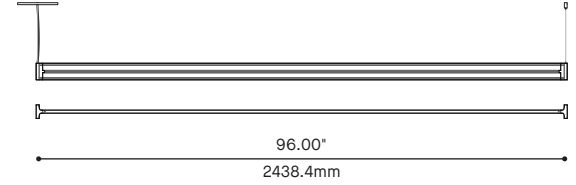
**8210-54**  
ARENA STRAIGHT 54"



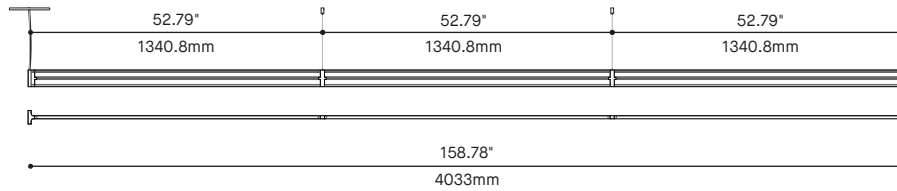
**8210-70**  
ARENA STRAIGHT 70.4"



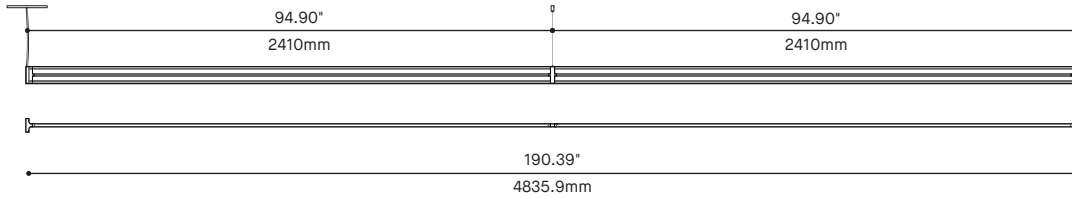
**8210-96**  
ARENA STRAIGHT 96"



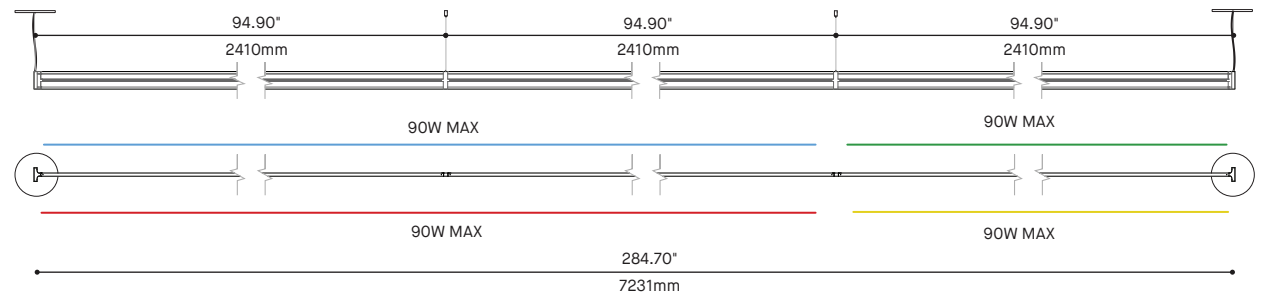
**8210-158**  
ARENA STRAIGHT 158.78"



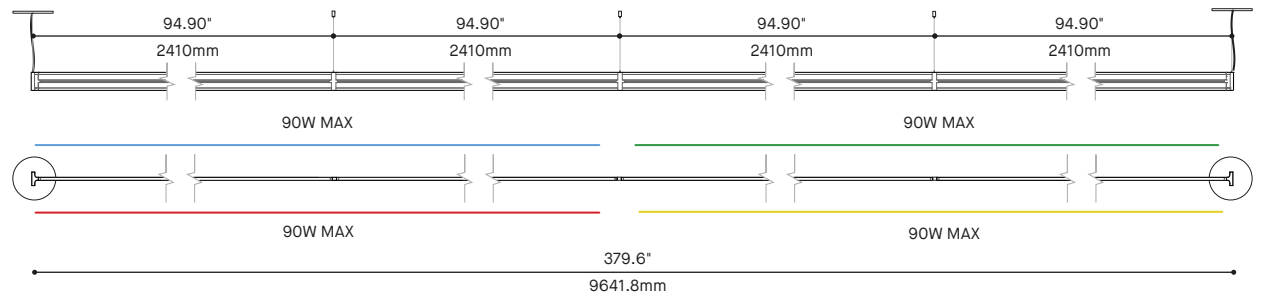
**8210-190**  
ARENA STRAIGHT 190.39"



**8210-284**  
ARENA STRAIGHT 284.7"

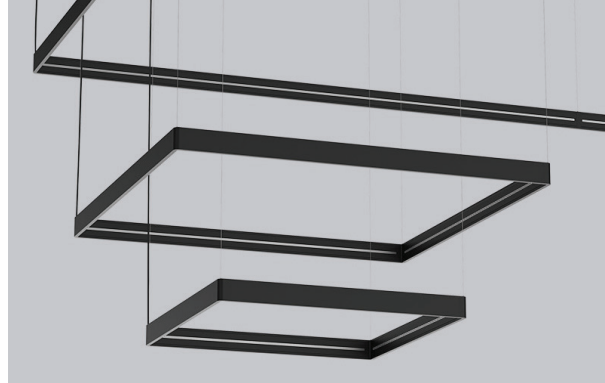


**8210-380**  
ARENA STRAIGHT 379.6"

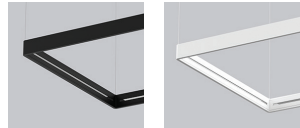


# ARENA SQUARE & RECTANGLE 8220

PROJECT PROJÉT
SPEC TYPE
NOTES



## FINISH FINI



BLKE

WHE

## FAMILY FAMILLE

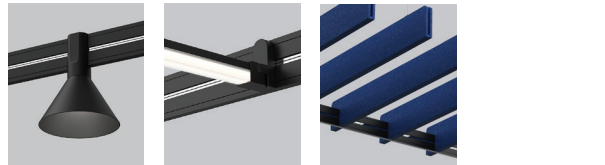


ARENA - BEAM 8290

ARENA - GLOW 8291

ARENA - AIM 8292

ARENA - BALL 8295

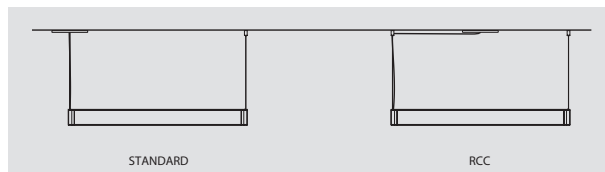


ARENA - CONE 8294

ARENA - SLICE SQ 8296

ARENA - ACOUSTIC 8298

## MOUNTING CABLE OPTION OPTION DE MONTAGE DE CÂBLE



STANDARD

RCC

## ORDERING SPECIFICATION SPÉCIFICATION DE COMMANDE

CODE

### STANDARD MODEL MODÈLE STANDARD

8220-36X36	ARENA SQUARE 36X36"	8220-36X190	ARENA RECTANGLE 36X190"
8220-54X54	ARENA SQUARE 54X54"	8220-54X190	ARENA RECTANGLE 54X190"
8220-96X96	ARENA SQUARE 96X96"	8220-96X190	ARENA RECTANGLE 96X190"
8220-190X190	ARENA SQUARE 190X190"	8220-36X380	ARENA RECTANGLE 36X380"
8220-380X380	ARENA SQUARE 380X380"	8220-54X380	ARENA RECTANGLE 54X380"
8220-36X54	ARENA RECTANGLE 36X54"	8220-96X380	ARENA RECTANGLE 96X380"
8220-36X96	ARENA RECTANGLE 36X96"	8220-190X380	ARENA RECTANGLE 190X380"
8220-54X96	ARENA RECTANGLE 54X96"		

FOR CUSTOM SIZES, PLEASE CONTACT YOUR EUREKA REPRESENTATIVE.

### DC LOAD PUISSANCE MAXIMALE DC

90W	1 CANOPY / 1 DRIVER OF 90W
180W	1 CANOPY / 2 DRIVERS OF 90W
360W	2 CANOPY / 4 DRIVERS OF 90W
540W	4 CANOPY / 6 DRIVERS OF 90W
720W	4 CANOPY / 8 DRIVERS OF 90W

8220	36"	54"	96"	190"	380"
36"	90W				
54"		180W	180W	360W	540W
96"					
190"					
380"					720W

ARENA
SQUARE 8220
MAXIMUM DC LOAD SEE TABLE
MAXIMUM TOTAL WEIGHT PER SECTION 25 LBS

LIGHT SOURCES							
BEAM 8290	GLOW 8291	AIM 8292	SLICE-SQ 8296-36	SLICE-SQ 8296-54	BALL 8295	CONE 8294	ADAPTER TAA
8W DC	8W DC	8W DC	8W DC	11W DC	8W DC	11W DC	SEE SPEC SHEET
0.62 LBS	0.70 LBS	0.61 LBS	2.22 LBS	3.50 LBS	0.48 LBS	0.88 LBS	

### VOLTAGE VOLTAGE

120V	120 VOLT
277V	277 VOLT

### CONTROL OPTIONS OPTION DE CONTRÔLE

DV	0-10V DIMMING (120V-277V)
NLTAIR2*	NLIGHT AIR CONTROL GEN2 (NOT AVAILABLE WITH MOUNTING OPTION RC3)
NLIGHT*	NLIGHT WIRED CONTROL (NOT AVAILABLE WITH MOUNTING OPTION RC3) LED DIMMING DRIVER IS STANDARD IN THIS PRODUCT *NLIGHT INTEGRATION REQUIRES A REMOTE POWER PACK (39NLAA & 39NLWA AS BELOW FOR NLIGHT). REFER TO NLIGHT GUIDE AND INSTALLATION SHEET FOR ALL REQUIREMENTS.

### CABLE CÂBLE

AC	AIRCRAFT CABLE & POWER CORD, FIELD ADJUSTABLE
----	---

AC

### CABLE LENGTH LONGUEUR DE CÂBLE

60	60" AIRCRAFT CABLE (STD LENGTH)
**	CUSTOM AIRCRAFT CABLE LENGTH (PLEASE SPECIFY) FOR OVERALL LENGTH, PLEASE CONTACT YOUR EUREKA REPRESENTATIVE.

### MOUNTING MONTAGE

SQ1	SQUARE CANOPY ON JBOX FOR RECESSED DRIVERS 6.6" (2437B) (PAIR WITH 3981C OR 3981D)
RC1	ROUND CANOPY ON JBOX FOR RECESSED DRIVERS 8.9" (2404B) (PAIR WITH 3981C OR 3981D)
RC2	ROUND SURFACE SCREWLESS CANOPY 9.4" FOR 90W ONLY (2475I)
RC3	ROUND SURFACE SCREWLESS CANOPY 4.6" FOR REMOTE DRIVER BOX 12"X16" (2471C) (PAIR WITH ACCESSORY 3981GA OR 3981GB)
RC4	ROUND SURFACE SCREWLESS CANOPY 12" FOR 180W OR 360W (2477I)

### MOUNTING CABLE OPTION OPTION DE MONTAGE DE CÂBLE

RCC	FLOATING CANOPY - STRAIGHT AIRCRAFT CABLES IF NO OPTION IS SELECTED, A CANOPY AT CORNERS OF THE FIXTURE WITH AIRCRAFT CABLES IS STANDARD
-----	---

### CANOPY & GRIPPERS FINISH FINI PAVILLON ET ATTACHES

BLKE	BLACK FINE TEXTURE
WHE	WHITE FINE TEXTURE

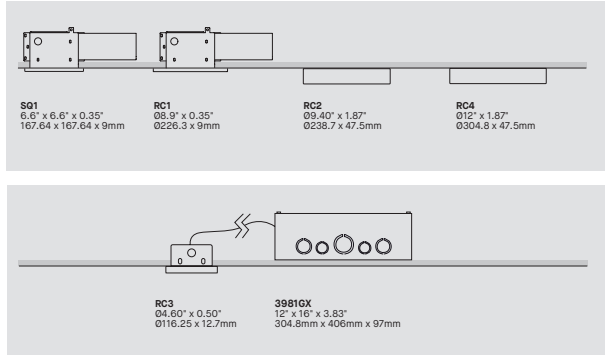
### POWER CORD FINISH FINI CÂBLE D'ALIMENTATION

BLK	BLACK POWER CORD
WH	WHITE POWER CORD
CLR	CLEAR POWER CORD

### FRAME FINISH FINI DU CADRE

BLKE	BLACK FINE TEXTURE
WHE	WHITE FINE TEXTURE

**MOUNTING OPTION OPTION DE MONTAGE**



**ACCESSORY ACCESSOIRE**

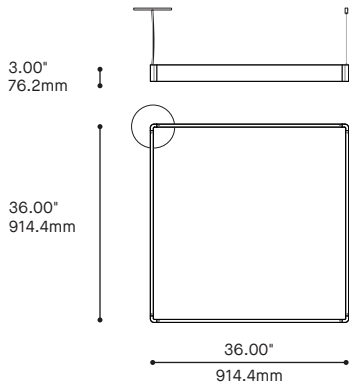
- 3981C** 1 JUNCTION BOX FOR 90W RECESSED DRIVER
- 3981D** 1 JUNCTION BOX FOR 180W RECESSED DRIVER
- 3981D2** 2 JUNCTION BOX FOR 360W RECESSED DRIVER
- 3981D4** 4 JUNCTION BOXES FROM 540W TO 740W RECESSED DRIVER
- 3981GA** 1 REMOTE DRIVER BOX 12"X16" FOR MOUNTING RC3 FOR DC LOAD 90W
- 3981GB** 1 REMOTE DRIVER BOX 12"X16" FOR MOUNTING RC3 FOR DC LOAD 180W
- 3981GB2** 2 REMOTE DRIVER BOXES 12"X16" FOR MOUNTING RC3 FOR DC LOAD 360W
- 3981GB3** 3 REMOTE DRIVER BOXES 12"X16" FOR MOUNTING RC3 FOR DC LOAD 540W
- 3981GB4** 4 REMOTE DRIVER BOXES 12"X16" FOR MOUNTING RC3 FOR DC LOAD 720W
- 39NLAA\*** NLIGHT AIR GEN 2 REMOTE CONTROLLER (NOT AVAILABLE WITH MOUNTING OPTION RC3)
- 39NLWA\*** NLIGHT WIRED REMOTE CONTROLLER (NOT AVAILABLE WITH MOUNTING OPTION RC3)

\* FOR CHICAGO PLENUM INSTALLATION, PLEASE CONTACT YOUR EUREKA REPRESENTATIVE

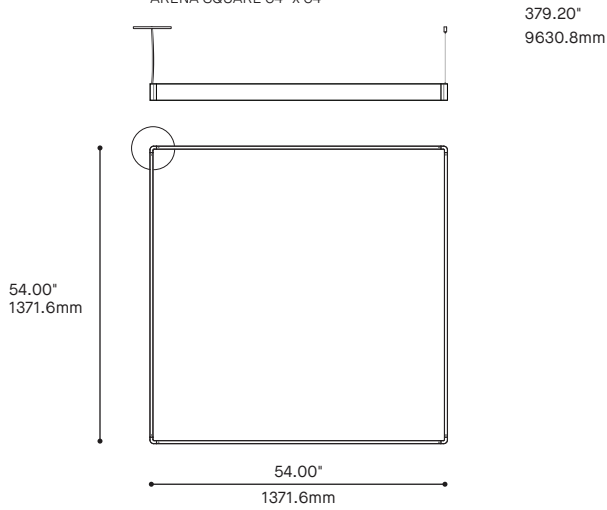
# ARENA SQUARE 8220

## CONFIGURATIONS

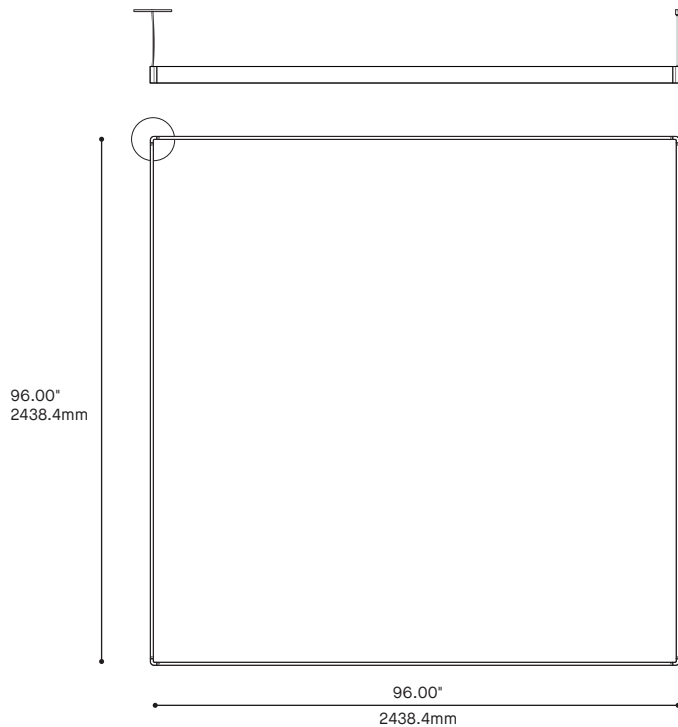
**8220-36X36**  
ARENA SQUARE 36" x 36"



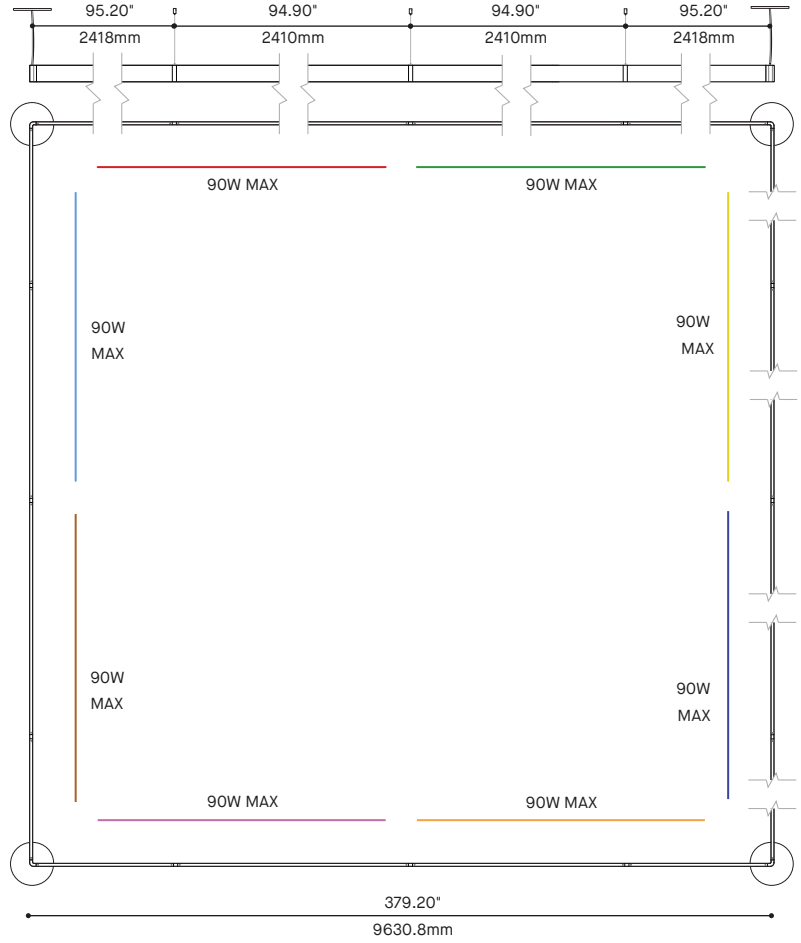
**8220-54X54**  
ARENA SQUARE 54" x 54"



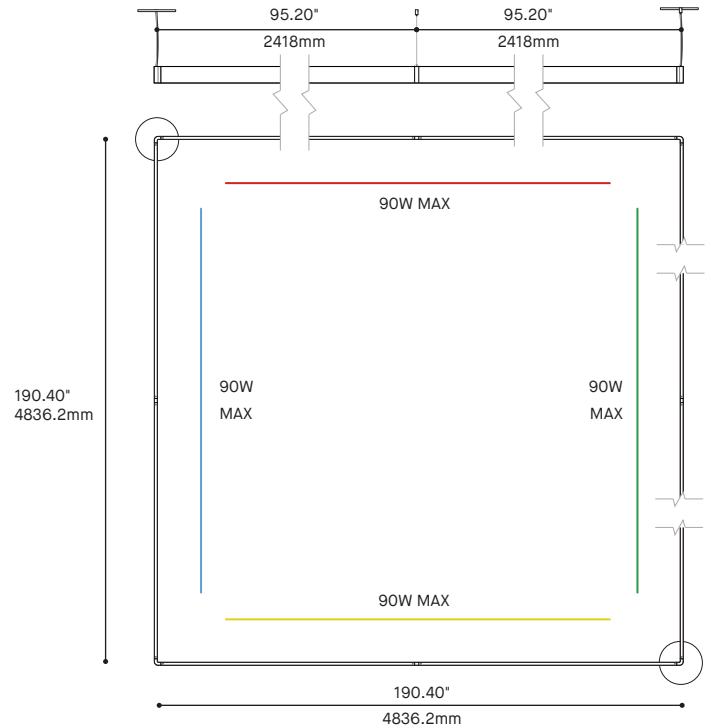
**8220-96X96**  
ARENA SQUARE 96" x 96"



**8220-380X380**  
ARENA SQUARE 380" x 380"



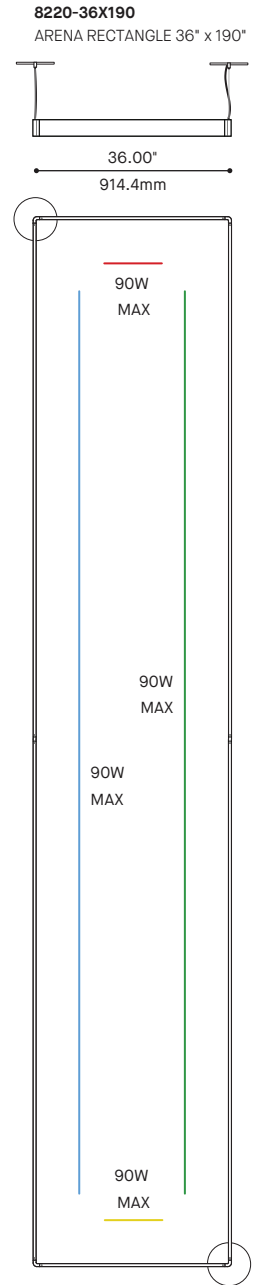
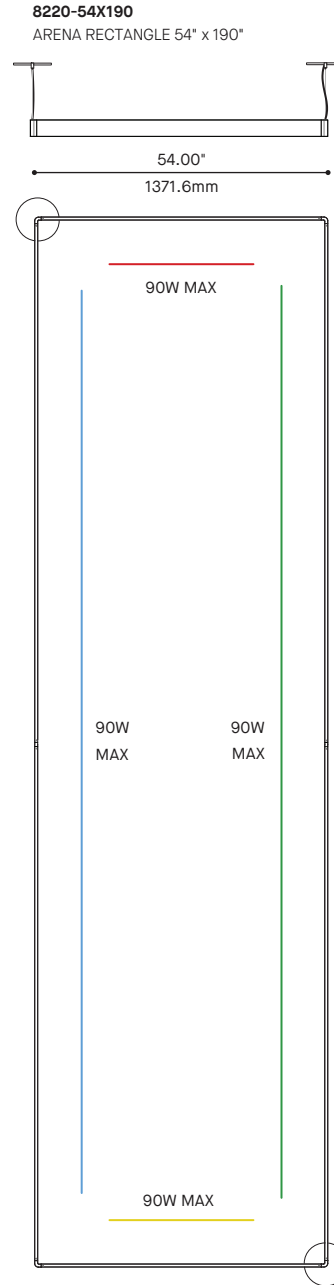
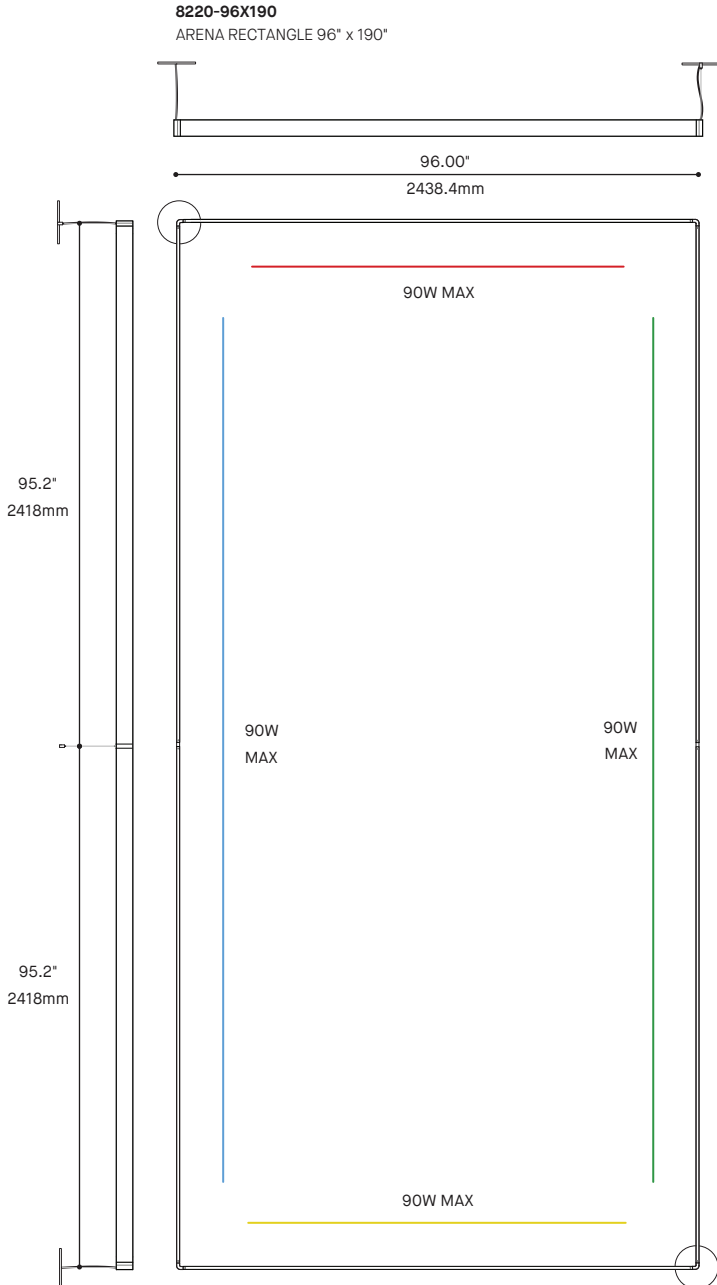
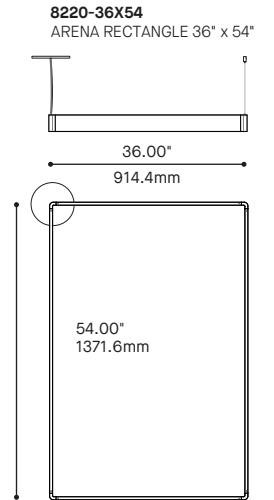
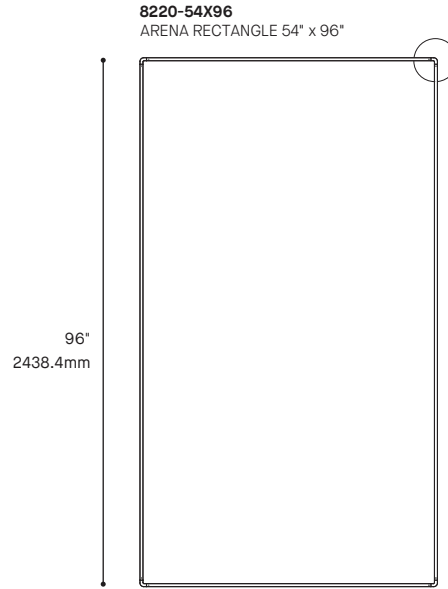
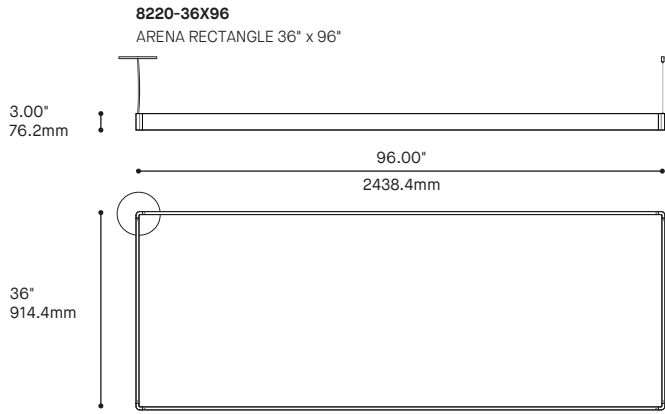
**8220-190X190**  
ARENA SQUARE 190" x 190"





# ARENA RECTANGLE 8220 1/2

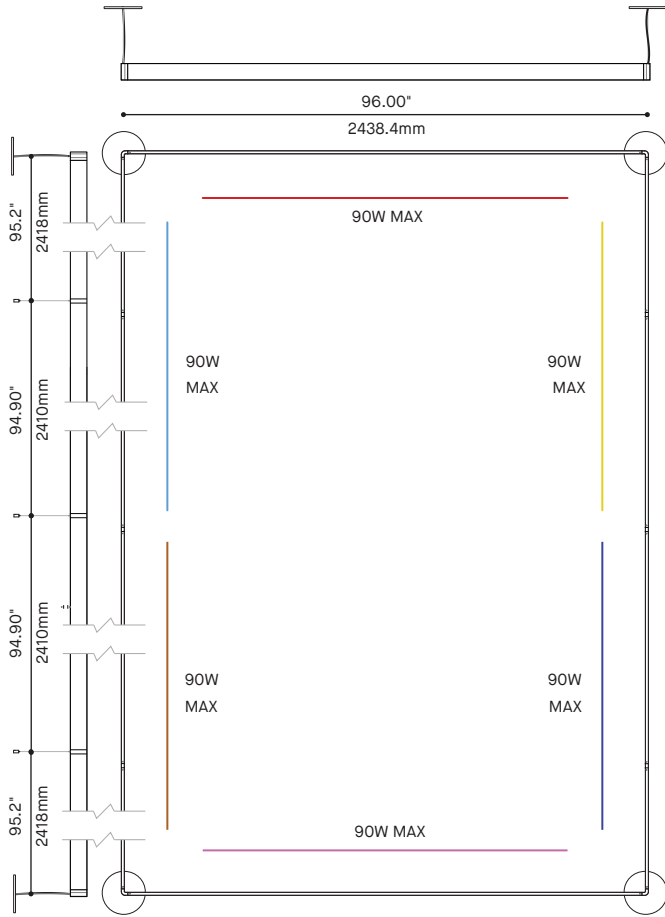
## CONFIGURATIONS



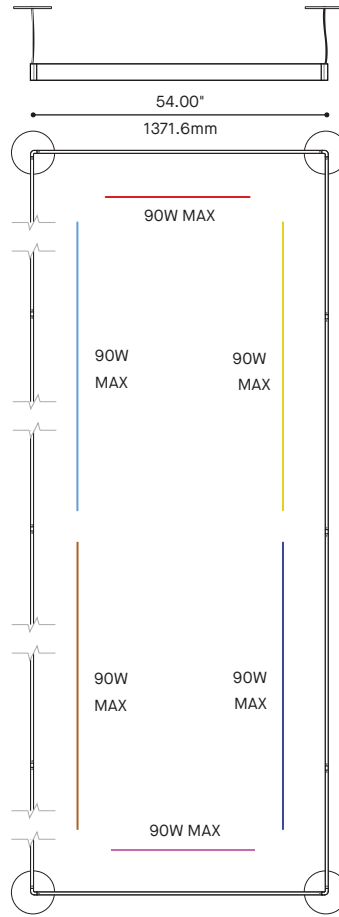
# ARENA RECTANGLE 8220 2/2

## CONFIGURATIONS

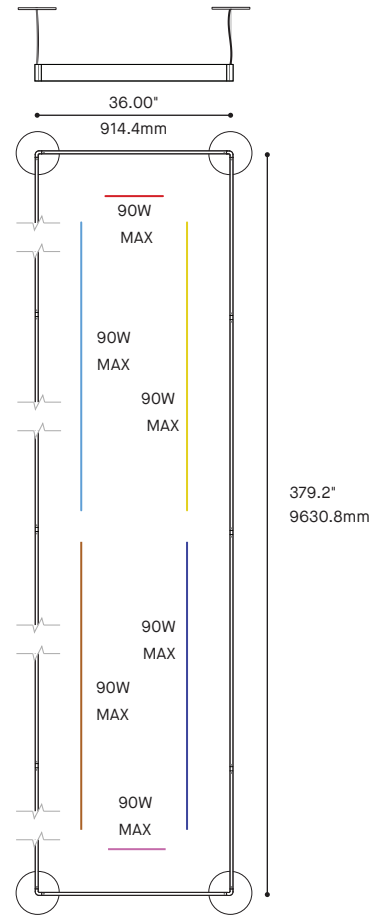
**8220-96X380**  
ARENA SQUARE 96" x 380"



**8220-54X380**  
ARENA RECTANGLE 54" x 380"



**8220-36X380**  
ARENA RECTANGLE 36" x 380"



**8220-190X380**  
ARENA RECTANGLE 190" x 380"

