



Henri 4275









4275-17

 EUREKA

HENRI 4275-XX

MAGNETIC CANOPY

Discreet canopy with hidden hardware. Easy installation and adjustment.

CABLE OR STEM SUSPENSION

Easy-to-adjust reinforced suspension cable, or 3/8" stem option available.

HIGH PERFORMANCE LED BOARD

Fully upgraded LED module with latest technology offers great performance. Different output levels allow a variety of applications.

BRIGHT AND SLEEK LIGHT

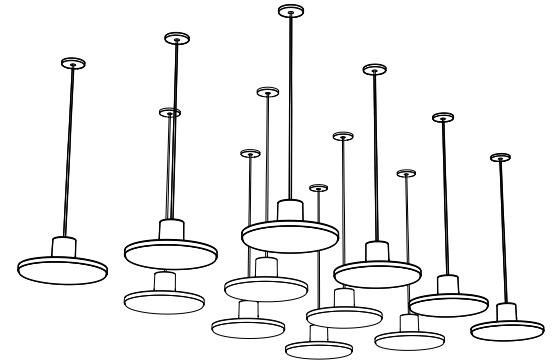
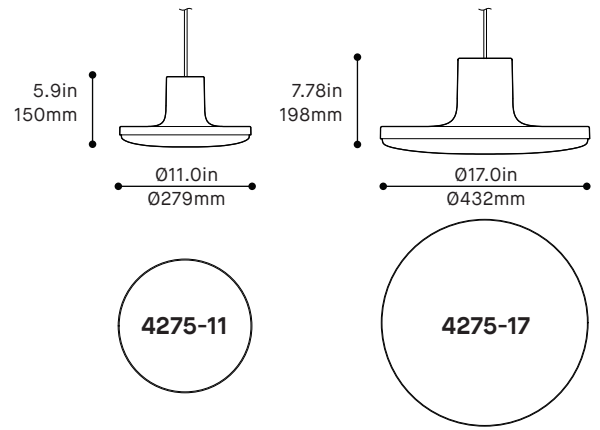
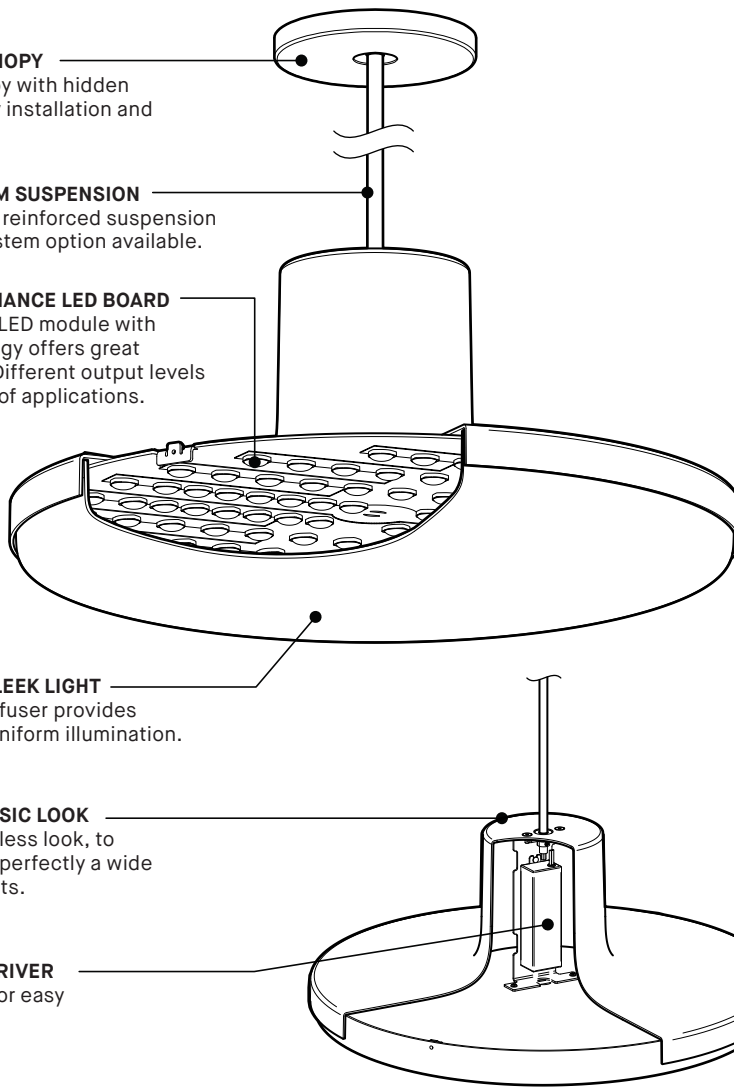
Translucent diffuser provides beautiful and uniform illumination.

ELEGANT CLASSIC LOOK

Clean and timeless look, to perfectly suits perfectly a wide range of projects.

INTEGRATED DRIVER

Quick access for easy maintenance.



BE CREATIVE!

Group it in linear or organic arrays to create a stunning effect in large rooms or high ceilings. Make your own work of art!

PRODUCT SPECIFICATION

4275-11

LO — REG — HO

4275-17

LO — REG — HO

PERFORMANCE

SYSTEM WATTAGE

11W — 15W — 19W

31W — 41W — 52W

DELIVERED LUMENS (4000K)

1096LM — 1401LM — 1702LM

2698LM — 3428LM — 4278LM

EFFICACY

96LM/W — 93LM/W — 88LM/W

86LM/W — 82LM/W — 79LM/W

OTHER INFORMATION

LUMINAIRE'S WEIGHT

3.68LBS / 1.67KG

7.72LBS / 3.50KG

L70 (LUMEN MAINTENANCE) LO/REG/HO

+ 50 000 HRS

+ 50 000 HRS

WELL STANDARD REQUIREMENTS

MAX. LUMINANCE 45°-90° OF NADIR

4 581 LM/M² (AT HO)

5 118 LM/M² (AT HO)

LIGHT QUALITY

R9 > 50

R9 > 50

FLICKERING TOLERANCE

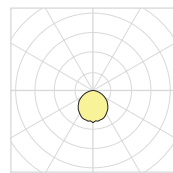
LOW FLICKER, COMPLIANT TO CALIFORNIA TITLE 24

LOW FLICKER, COMPLIANT TO CALIFORNIA TITLE 24

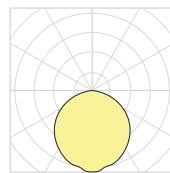
EFFICACY MULTIPLIERS

CRI	CCT	FACTOR
90+	4000K	1.00
90+	3500K	0.97
90+	3000K	0.93
90+	2700K	0.89

LIGHT DISTRIBUTION



4275-11



4275-17



Visit our website for warranty terms and conditions.



TECHNICAL DATA



HENRI 4275

PROJECT PROJÉT
SPEC TYPE
NOTES

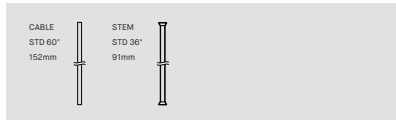


FINISH FINI **FAMILLE FAMILY**

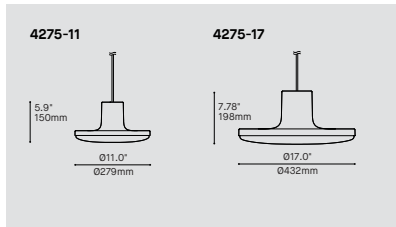
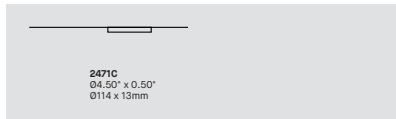
OVERALL HEIGHT HAUTEUR HORS TOUT

	LED 0.50" CANOPY
MOUNTING	2471C
CABLE	66"
STEM	42"

STEM OR CABLE OPTION OPTIONS DE TIGE OU CÂBLE



MOUNTING OPTIONS OPTIONS DE MONTAGE



ORDERING SPECIFICATION SPÉCIFICATION DE COMMANDE	CODE
MODEL MODÈLE	
4275-11 HENRI 11"	
4275-17 HENRI 17"	
LIGHT SOURCE SOURCE LUMINEUSE	
LED.LO LOW OUTPUT	
LED.REG REGULAR OUTPUT	
LED.HO HIGH OUTPUT	
COLOR TEMPERATURE TEMPÉRATURE DE COULEUR	
27* 2700K	
30 3000K	
35 3500K	
40 4000K	
* LONGER LEAD TIME MAY APPLY. PLEASE CONTACT YOUR EUREKA REPRESENTATIVE	
COLOR RENDERING INDEX (CRI) INDICE DE RENDU DE COULEUR (IRC)	90
90 90+ CRI	
VOLTAGE VOLTAGE	
120V 120 VOLT	
277V 277 VOLT	
CONTROL OPTION OPTION DE CONTRÔLE	
DV 0-10V DIMMING (120V-277V)	
DP PHASE DIMMING (120V ONLY)	
NLTAIR2* NLIGHT AIR CONTROL GEN 2	
NLIGHT* NLIGHT WIRED CONTROL	
* NLIGHT INTEGRATION REQUIRES A REMOTE POWER PACK (39NLAB FOR NLTAIR2 OR 39NLWB FOR NLIGHT) REFER TO NLIGHT GUIDE AND INSTALLATION SHEET FOR ALL REQUIREMENTS. EMERGENCY BATTERY NOT AVAILABLE WITH NLIGHT OPTION.	
EMERGENCY BATTERY BATTERIE D'URGENCE	
FOR 120-277V ONLY. EM DRIVER BOX INCLUDED, INSTALLED REMOTELY. SEE EM GUIDE FOR DETAILS.	
EMB* EMERGENCY BATTERY FOR REMOTE BOX	
* 3981EA ACCESSORY IS REQUIRED FOR THIS OPTION	
STEM OR CABLE TIGE OU CÂBLE	
C* BLACK OR WHITE CABLE, FIELD ADJUSTABLE	
S10* BLACK OR WHITE 3/8" (10MM) STEM, NOT FIELD ADJUSTABLE	
STEM OR CABLE LENGTH LONGUEUR DE TIGE OU CÂBLE	
36 36" STEM (STD LENGTH)	
60 60" CABLE (STD LENGTH)	
** CUSTOM STEM OR CABLE LENGTH (PLEASE SPECIFY)	
FOR OVERALL LENGTH, PLEASE CONTACT YOUR EUREKA REPRESENTATIVE	
MOUNTING MONTAGE	RC1
RC1 ROUND CANOPY / PAVILLON ROND SCREWLESS 0.5" CANOPY (2471C)	
CANOPY FINISH FINI PAVILLON	
BLKE BLACK FINE TEXTURE	
WHE WHITE FINE TEXTURE	
POWER CORD OR STEM FINISH FINI CÂBLE D'ALIMENTATION OU TIGE	
BLK BLACK POWER CORD OR STEM	
WH WHITE POWER CORD OR STEM	
SHADE FINISH FINI ABAT-JOUR	
BLKE BLACK FINE TEXTURE	
WHE WHITE FINE TEXTURE	
RAL* PLEASE SPECIFY RAL CODE	
* LONGER LEAD TIME MAY APPLY. PLEASE CONTACT YOUR EUREKA REPRESENTATIVE	
DIFFUSER FINISH FINI DIFFUSEUR	WH
WH WHITE	
ACCESSORY ACCESSOIRE	
39NLAB NLIGHT AIR GEN 2 REMOTE POWER PACK	
39NLWB NLIGHT WIRED REMOTE POWER PACK	
EMERGENCY BATTERY ACCESSORY ACCESSOIRE BATTERIE D'URGENCE	
3981EA ELECTRICAL BOX FOR EMB EMERGENCY BATTERY	

PRODUCT CHARACTERISTICS CARACTÉRISTIQUES DU PRODUIT



PHOTOMETRIC REPORT

HENRI 4275-11

4275-11-LED.40.LO-WHE

CCT (K): 4000
 Delivered Lumens (lm): 1096
 System wattage (W)*: 11
 Distribution: Direct
 Delivered Efficacy (lm/W): 96
 Photometric type: C

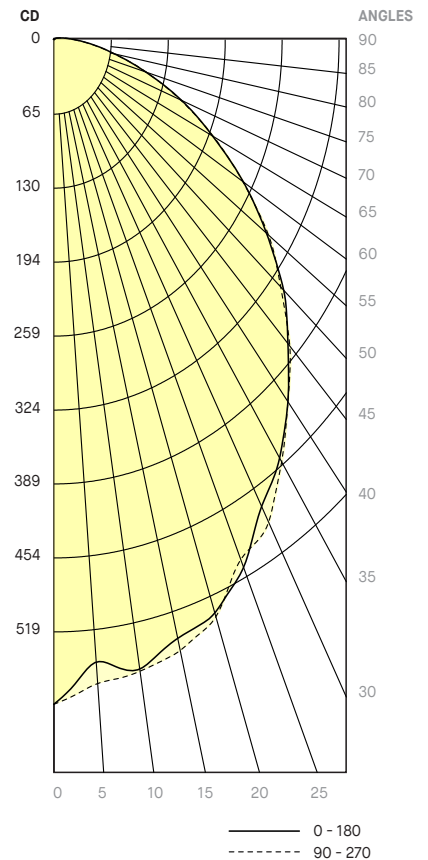
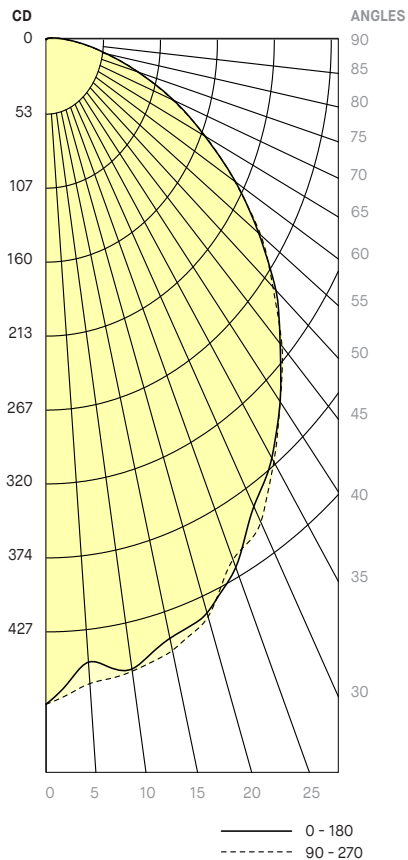
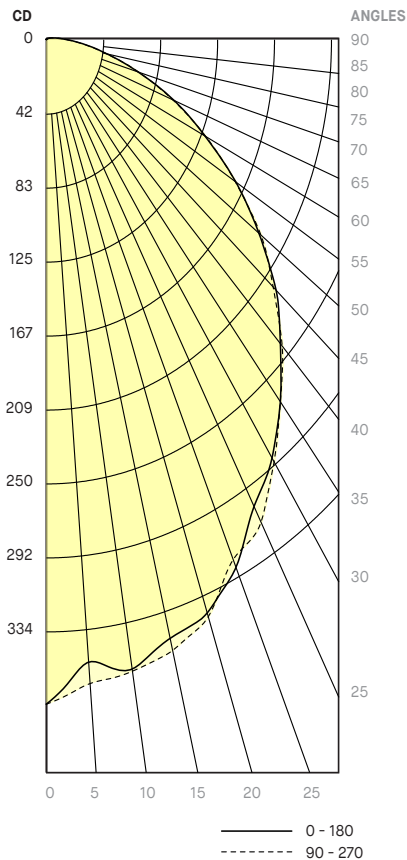
4275-11-LED.40.REG-WHE

CCT (K): 4000
 Delivered Lumens (lm): 1401
 System wattage (W)*: 15
 Distribution: Direct
 Delivered Efficacy (lm/W): 93
 Photometric type: C

4275-11-LED.40.HO-WHE

CCT (K): 4000
 Delivered Lumens (lm): 1702
 System wattage (W)*: 19
 Distribution: Direct
 Delivered Efficacy (lm/W): 88
 Photometric type: C

*System wattage includes driver and LED module consumption



PHOTOMETRIC REPORT

HENRI 4275-17

4275-17-LED.40.LO-WHE

CCT (K): 4000
Delivered Lumens (lm): 2698
System wattage (W)*: 32
Distribution: Direct
Delivered Efficacy (lm/W): 86
Photometric type: C

4275-17-LED.40.REG-WHE

CCT (K): 4000
Delivered Lumens (lm): 3428
System wattage (W)*: 41
Distribution: Direct
Delivered Efficacy (lm/W): 82
Photometric type: C

4275-17-LED.40.HO-WHE

CCT (K): 4000
Delivered Lumens (lm): 4278
System wattage (W)*: 52
Distribution: Direct
Delivered Efficacy (lm/W): 79
Photometric type: C

*System wattage includes driver and LED module consumption

